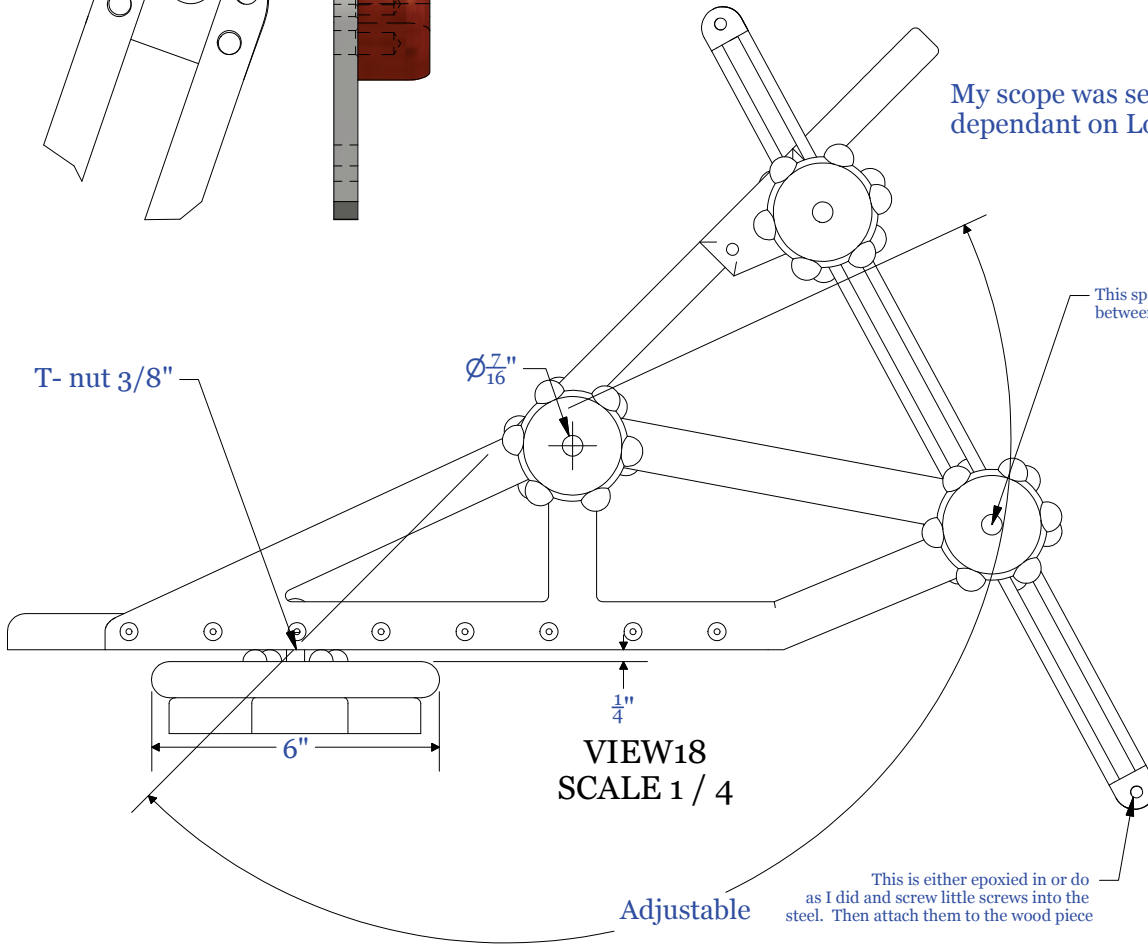


You only have to drill and screw one side. Use the bolt and nut to line up when you epoxy the other end.

My scope was set up for a 32° angle dependant on Longitude.

This space is crittial to allow movement between the metal pieces.

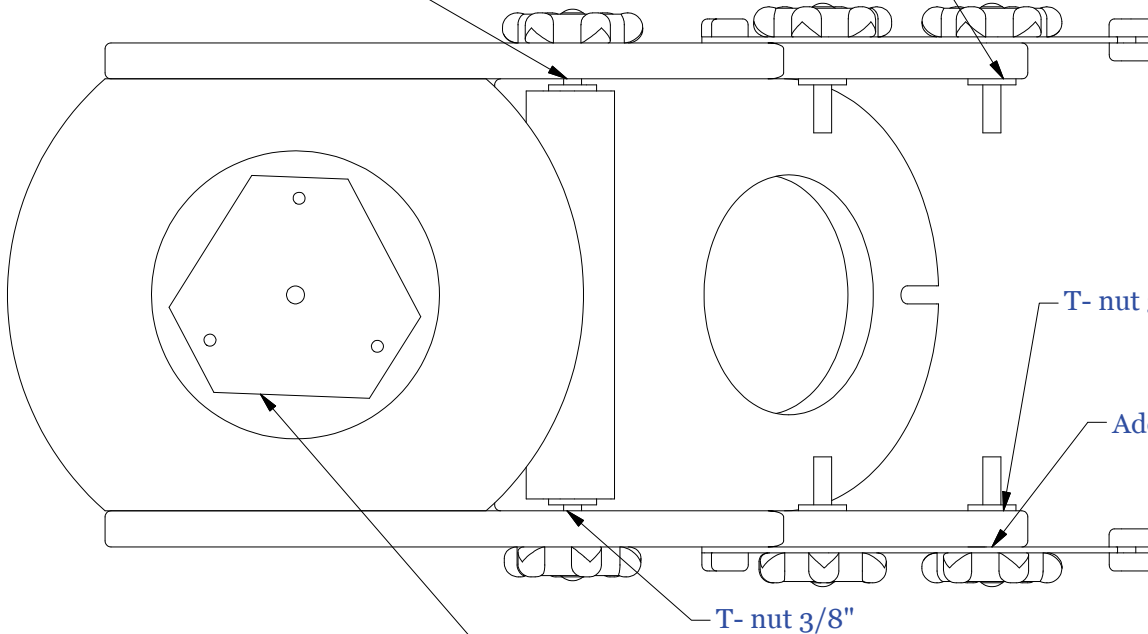


This is either epoxied in or do as I did and screw little screws into the steel. Then attach them to the wood piece

Adjustable

T-nut 3/8"

T-nut 3/8"



T-nut 3/8"

Add felt washer here.

T-nut 3/8"

This is custom cut according to the tripod you use. Mount it to the legs with small drilled holes in the frame