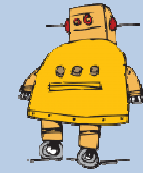


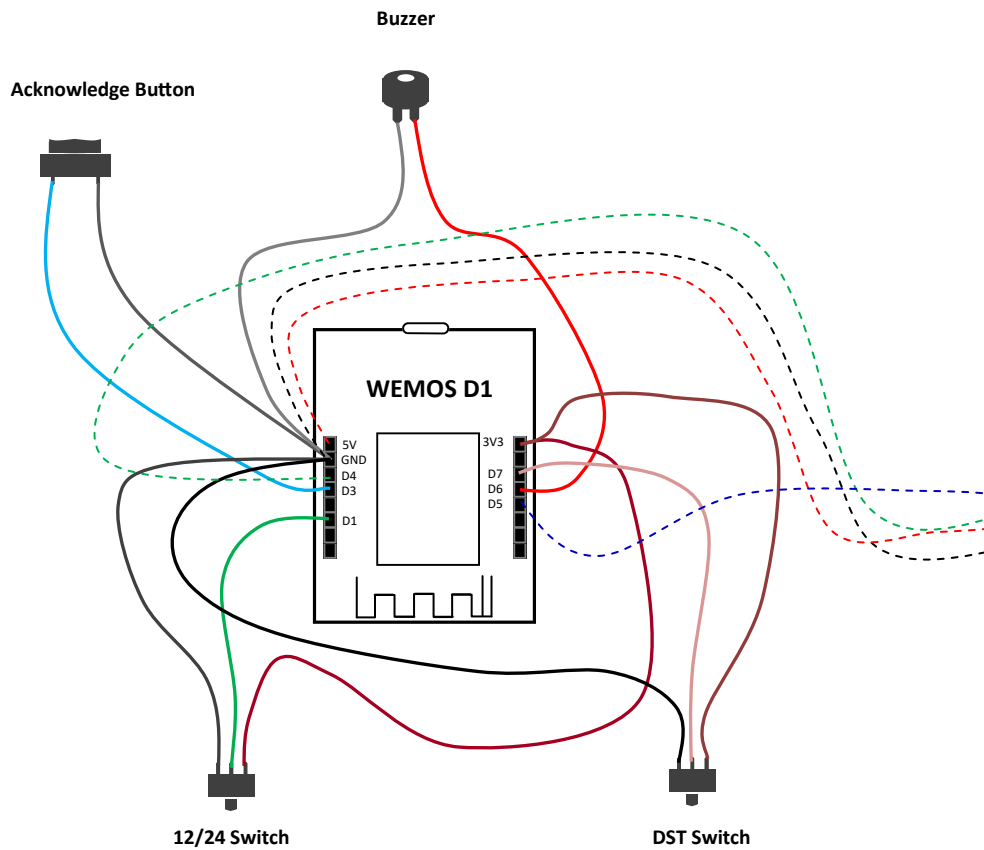


# Web Clock v. 2.0

Connection reference



**instructables**



WEMOS	Button	12/24	DST	Buzzer	I2C
5V		✓	✓		VCC
GND	✓	✓	✓	✓	GND
D1		✓			
D3	✓				
D4					SDA
D5					SCL
D6				✓	
D7			✓		

