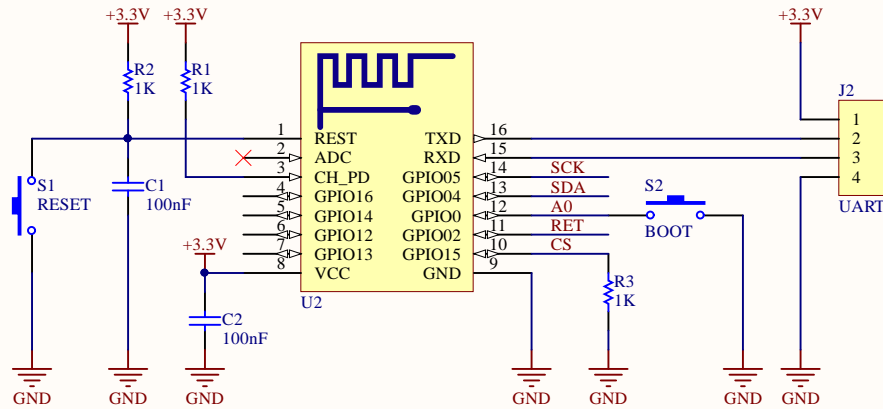
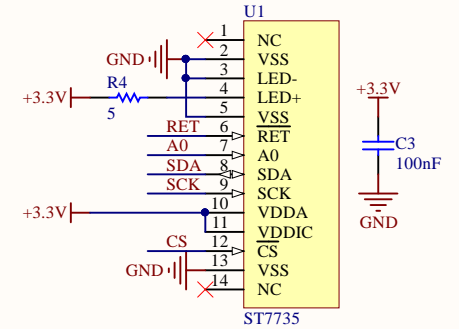


```
#define LCD_SCK           5
#define LCD_SDA          4
#define LCD_A0           0
#define LCD_RESET       2
#define LCD_CS           15
```



	Project Title: Demo.PrjPcb	
	Sheet Title: Weather_Demo.SchDoc	
	Website: bbs.osmar.cc	Revised: V1.0
	Size: Style	Sheet * of *
	Date: 2016-12-12	Drawn by: Osmar