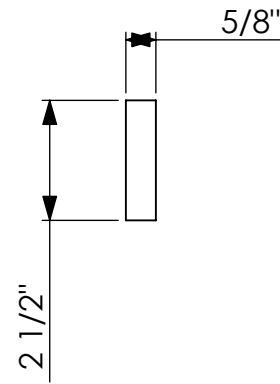
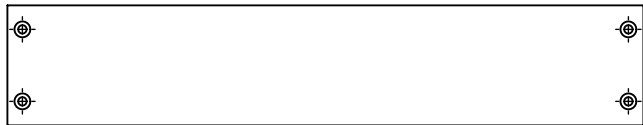
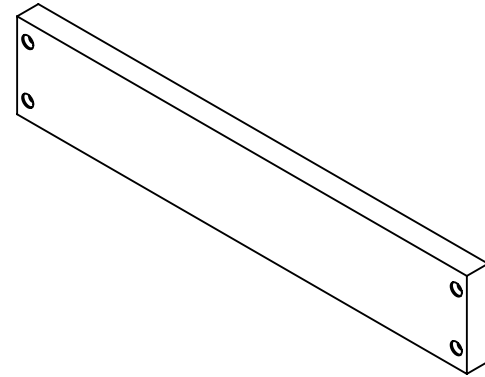
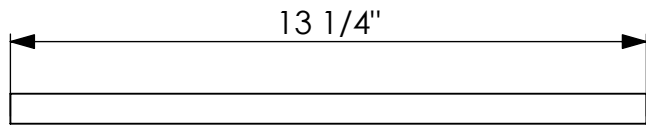
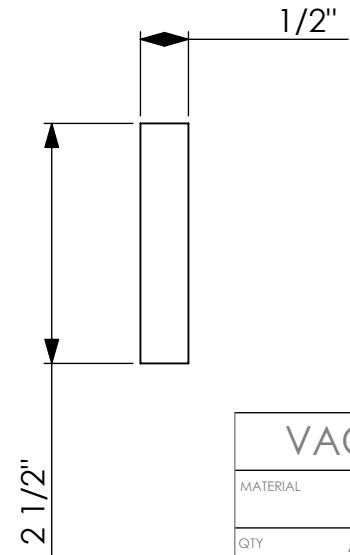
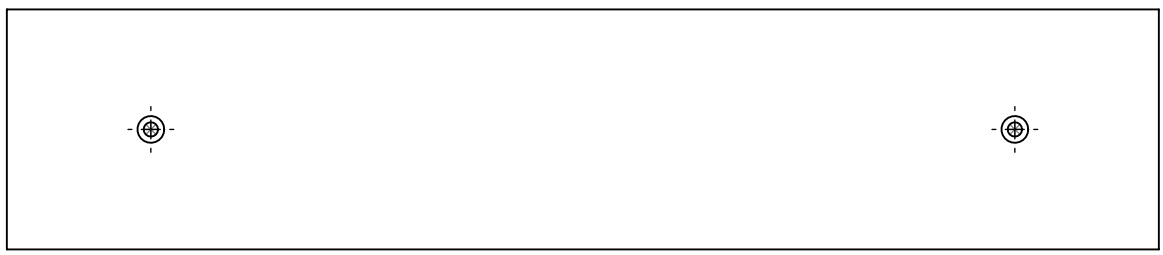
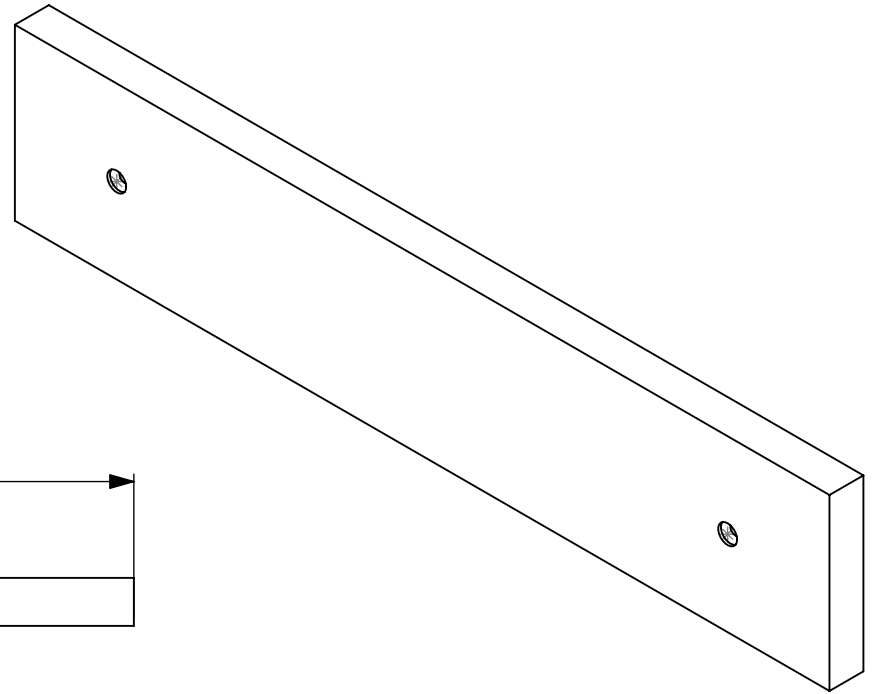


### VACUUM FORMER

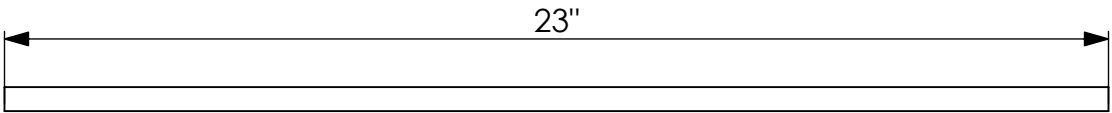
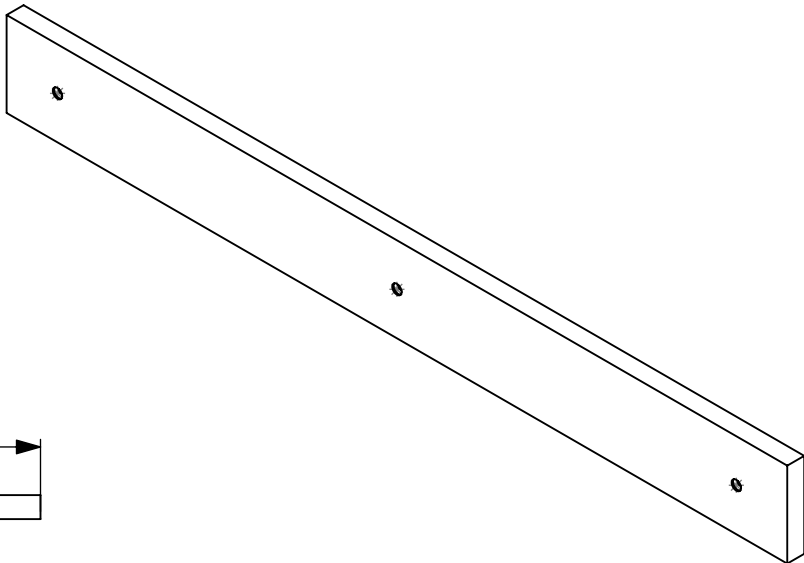
MATERIAL	1 X 3 WOOD		
QTY	2	DWG BY:	DC
DWG. NO.	VF-01	DATE	4/27/07
TOLERANCES: FRACTIONAL $\pm 1/16$	SCALE 1:4		



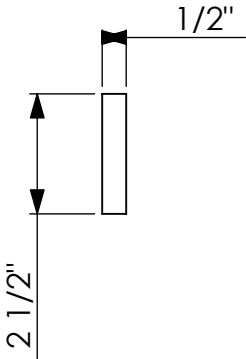
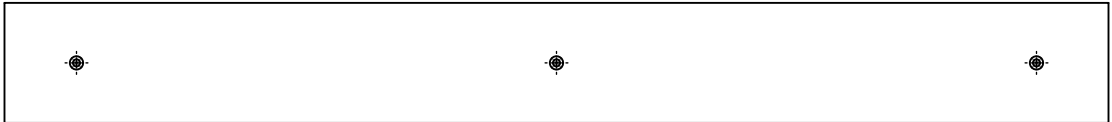
VACUUM FORMER			
MATERIAL	1 X 3 WOOD		
QTY	2	DWG BY:	DC
DWG. NO.	VF-02	DATE	5/18/07
TOLERANCES: FRACTIONAL ±1/16	SCALE		1:4



VACUUM FORMER			
MATERIAL	HARDIBACKER BOARD		
QTY	2	DWG BY:	DC
DWG. NO.	VF-03	DATE	5/18/07
TOLERANCES: FRACTIONAL	±1/16	SCALE	1:2



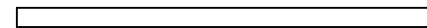
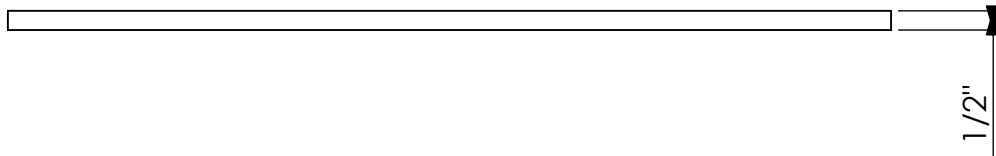
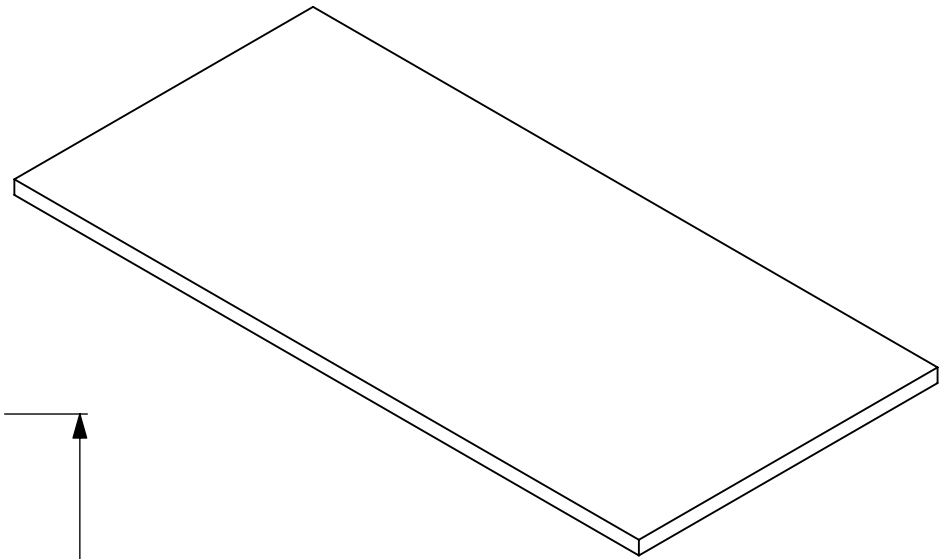
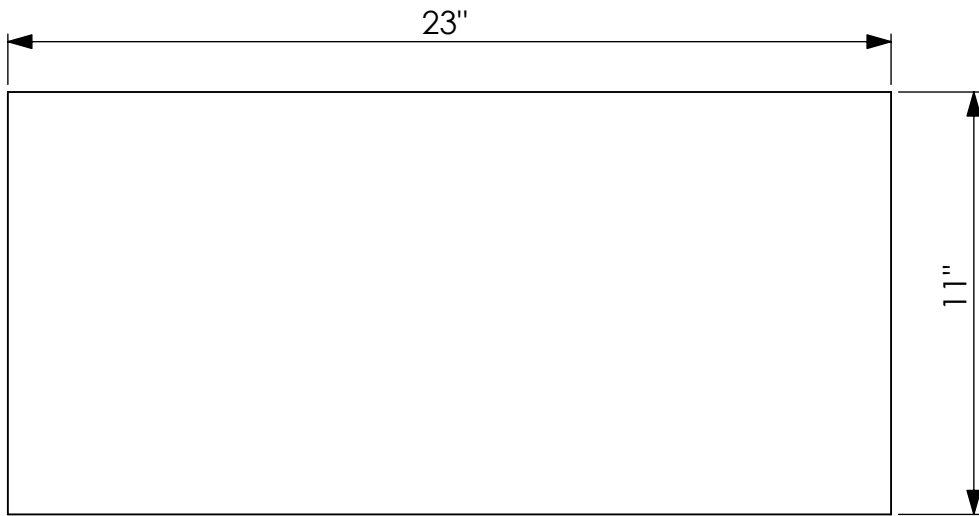
23"



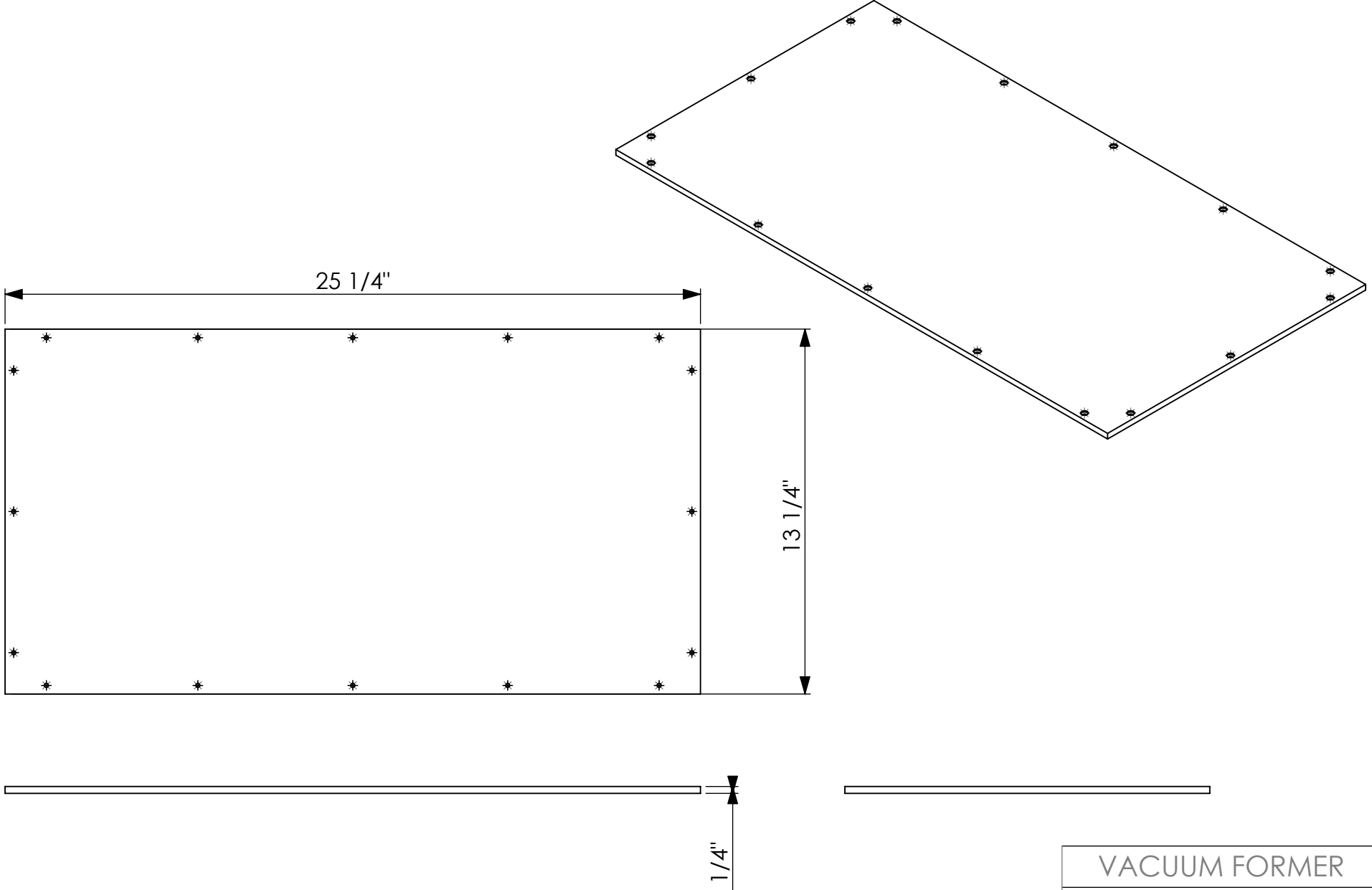
2 1/2"

1/2"

VACUUM FORMER			
MATERIAL	HARDIBACKER BOARD		
QTY	2	DWG BY:	DC
DWG. NO.	VF-04	DATE	5/18/07
TOLERANCES: FRACTIONAL	±1/16	SCALE	1:4

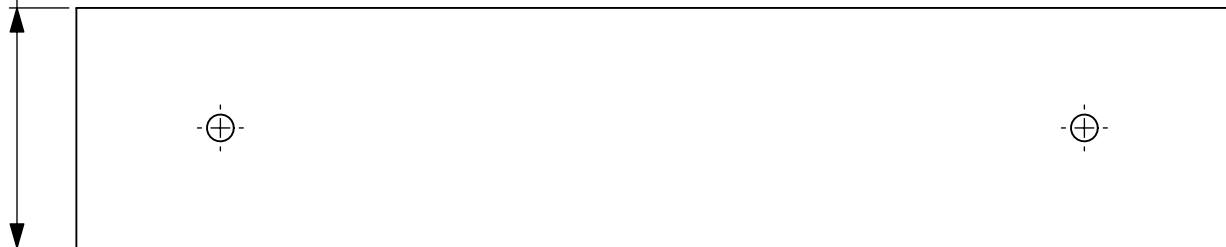


<b>VACUUM FORMER</b>			
MATERIAL		HARDIBACKER BOARD	
QTY	1	DWG BY:	DC
DWG. NO.	VF-05	DATE	5/18/07
TOLERANCES: FRACTIONAL $\pm 1/16$		SCALE	1:5



<b>VACUUM FORMER</b>			
MATERIAL		1/4" THICK PLYWOOD	
QTY	1	DWG BY:	DC
DWG. NO.	VF-06	DATE	5/18/07
TOLERANCES: FRACTIONAL ±1/16		SCALE	1:5

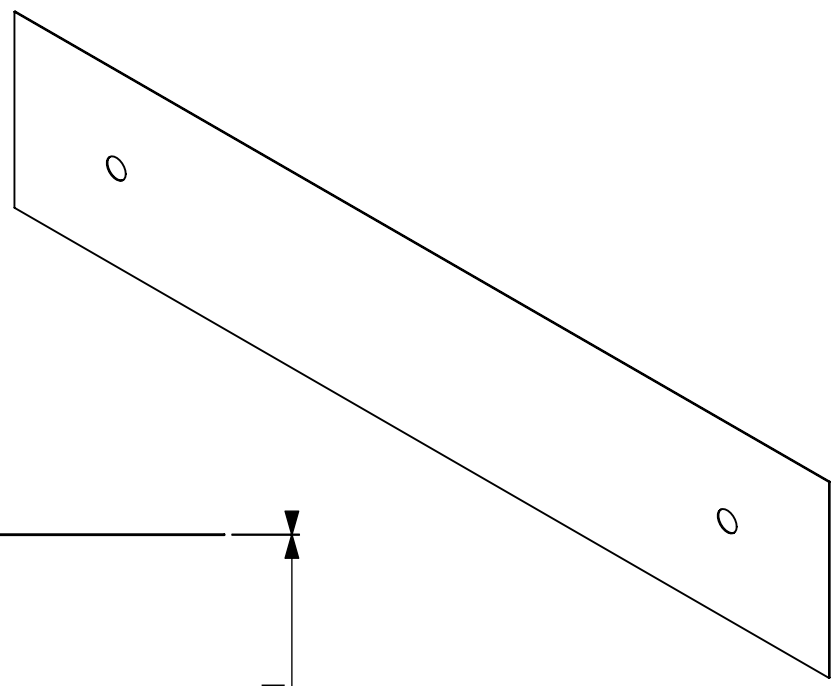
2 1/2"



12"

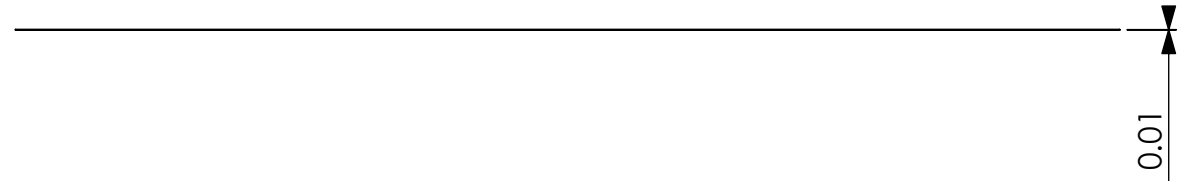
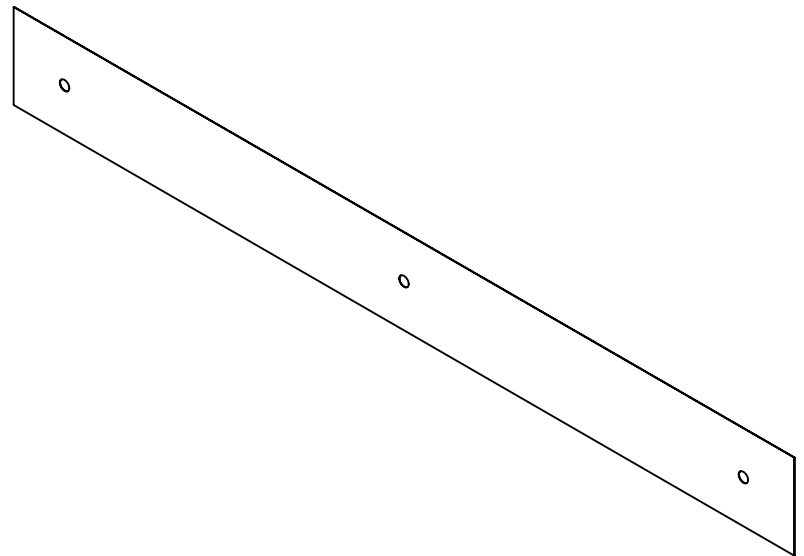


0.01



### VACUUM FORMER

MATERIAL	ALUMINUM FLASHING		
QTY	2	DWG BY:	DC
DWG. NO.	VF-07	DATE	5/18/07
TOLERANCES: FRACTIONAL ±1/16		SCALE	1:2



<b>VACUUM FORMER</b>			
MATERIAL	ALUMINUM FLASHING		
QTY	2	DWG BY:	DC
DWG. NO.	VF-08	DATE	5/18/07
TOLERANCES: FRACTIONAL $\pm 1/16$	SCALE		1:4