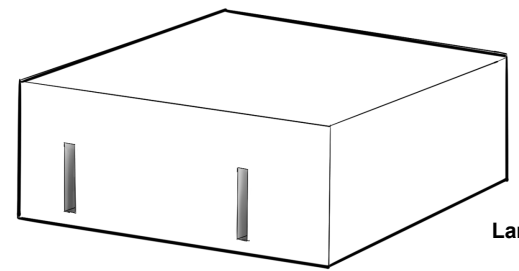
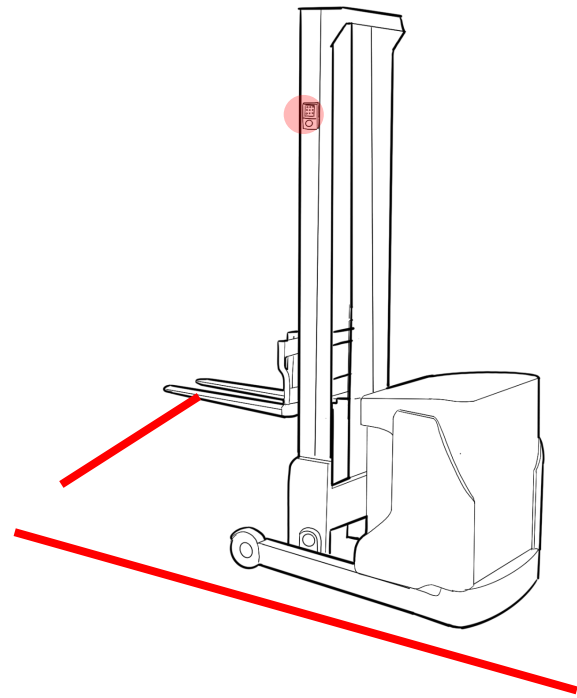
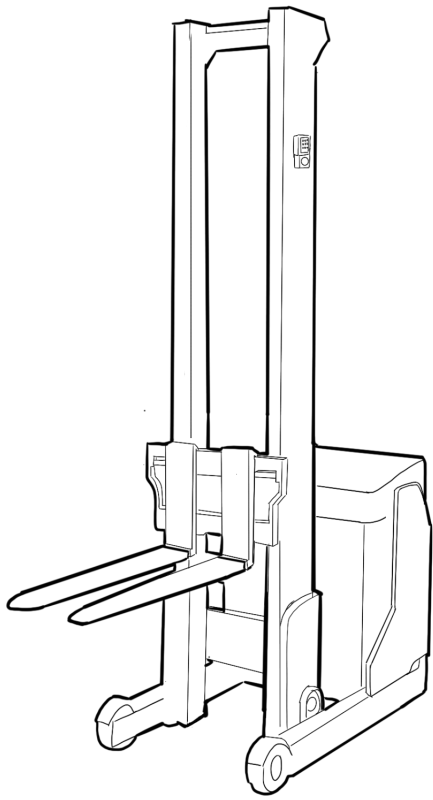
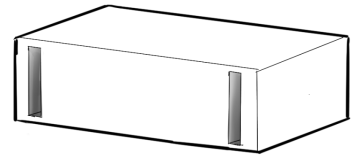


Solution

A **auto reach rack** which use the unmanned technology to meet 2 needs of avoiding the potential **safety** problems and **inconvenience** for forklift operator and consumers in the warehouse store.



Large size



Smaller size

