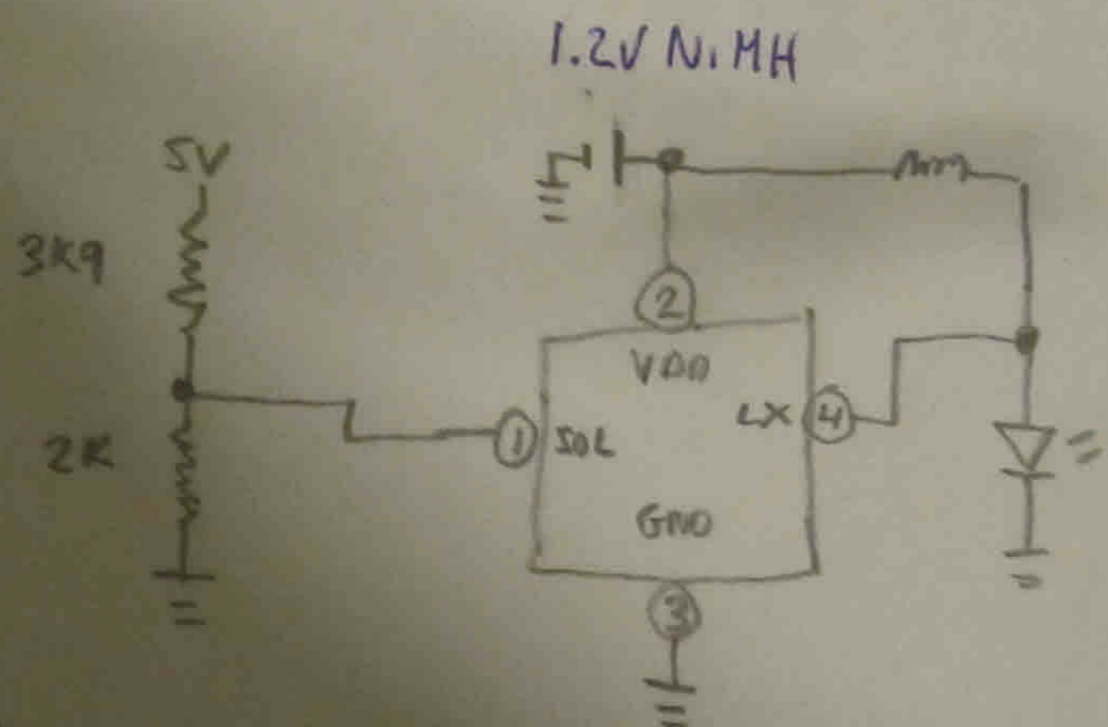
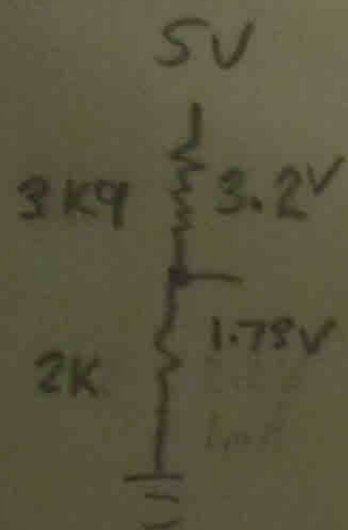
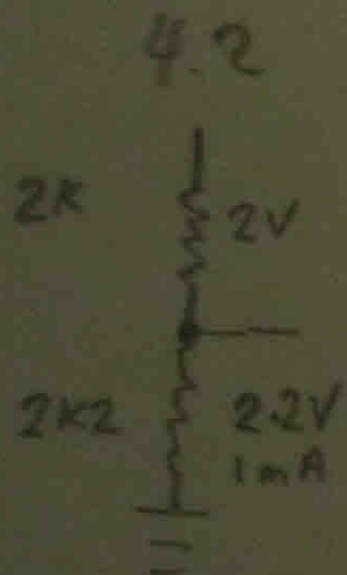


Nov. 15/2020



R0R0RK ENEN = 2K2 4.2V TEST

- SOL - 99 μ A 1.97 VBAT (NO BATTERY)
- SOL - 500 μ A 1.49 VBAT (WEAK BATT)
- SOL - 400 μ A 1.60 VBAT (CHARGED BATT)

5V TEST

- SOL - 76 μ A 1.62 VBAT (NO BATTERY)
- SOL - 200 μ A 1.45 VBAT (WEAK BATTERY)
- SOL - 220 μ A 1.42 VBAT (CHARGED BATT)
- SOL - 199 μ A 1.42 VBAT (ADD CHG. TIME)