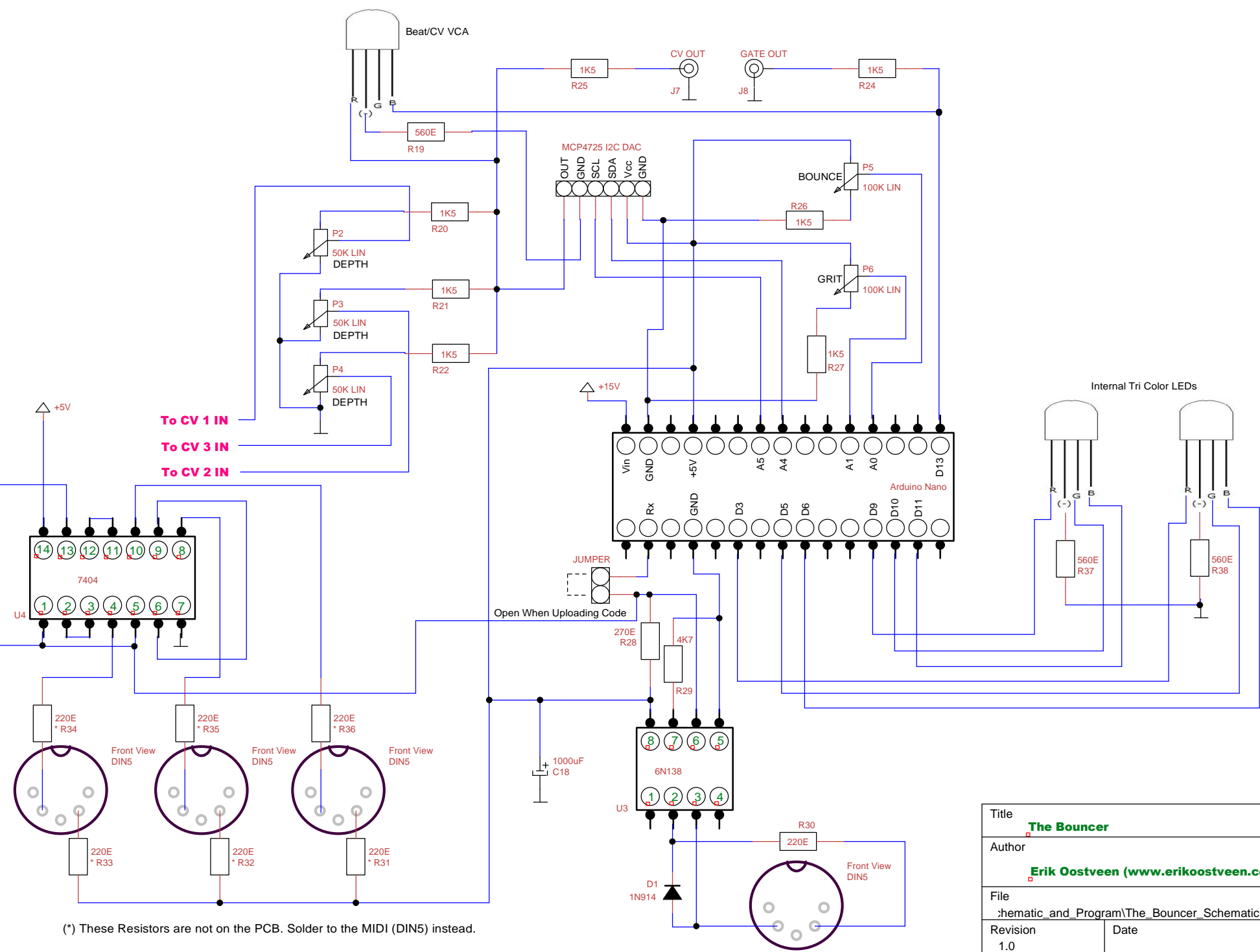


Title The Bouncer		
Author Erik Oostveen (www.erikoostveen.co.uk)		
File Schematic_and_Program\The_Bouncer_Schematic	Document	
Revision 1.0	Date January 2018	Sheets 1 of 1



(*) These Resistors are not on the PCB. Solder to the MIDI (DIN5) instead.

Title		
The Bouncer		
Author		
Erik Oostveen (www.erikoostveen.co.uk)		
File	Document	
chematic_and_Program\The_Bouncer_Schematic		
Revision	Date	Sheets
1.0		2