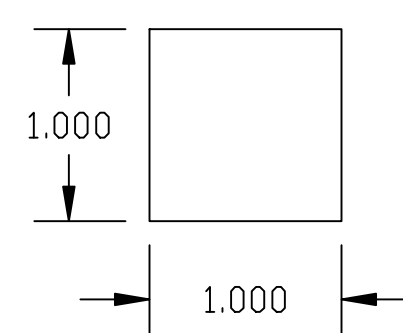
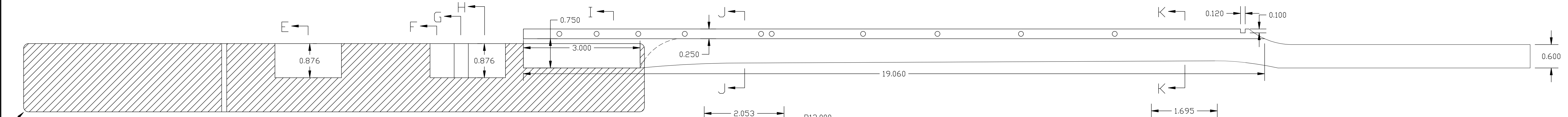
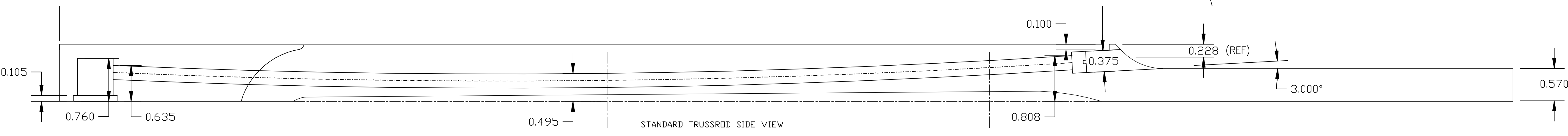
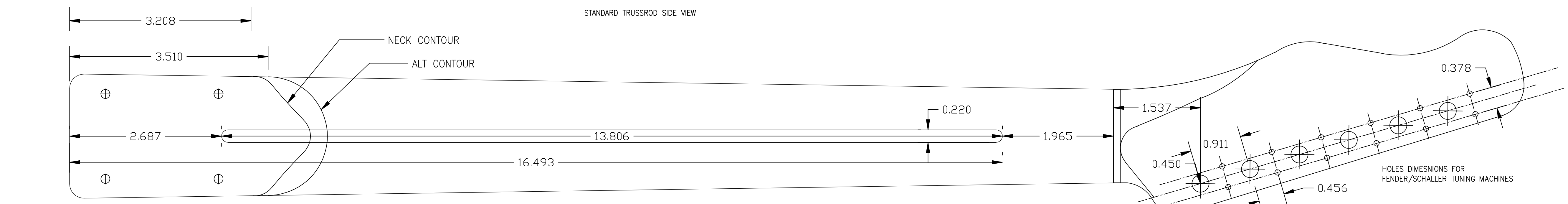
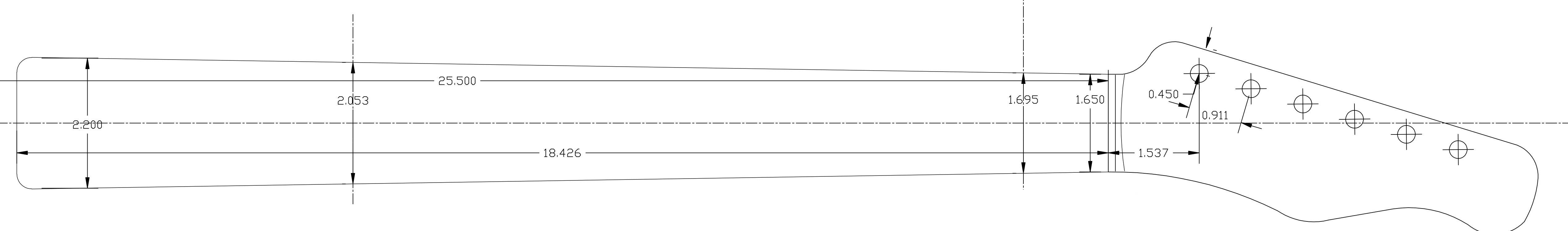
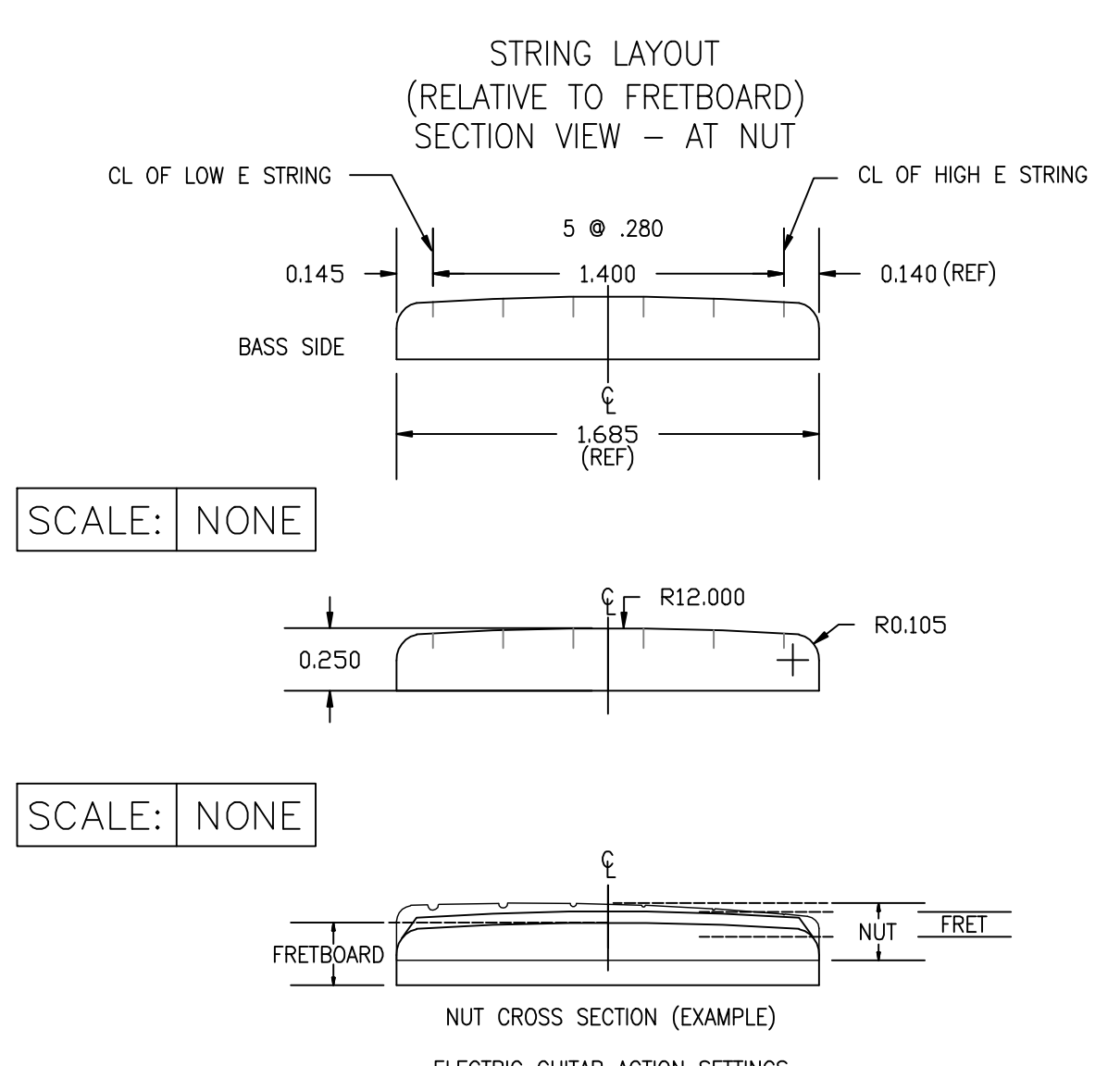


VERIFY SCALE

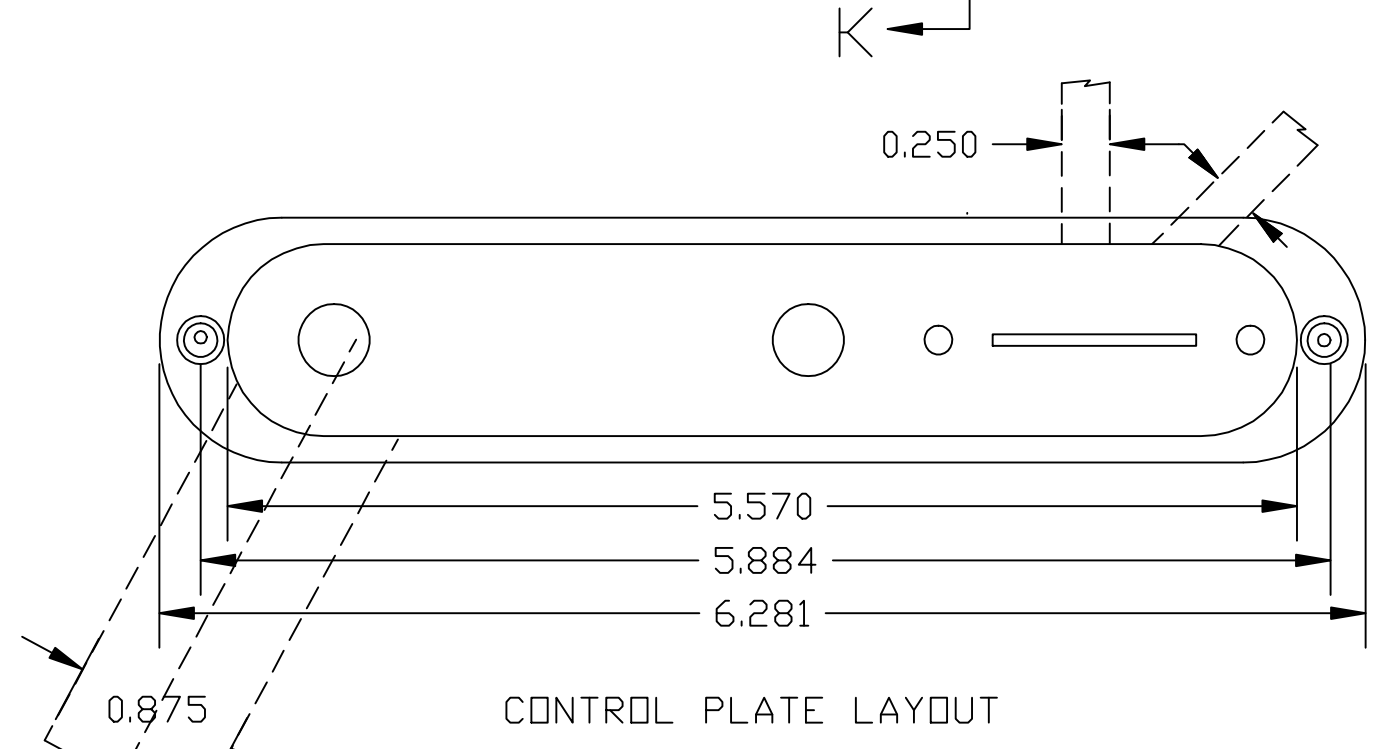
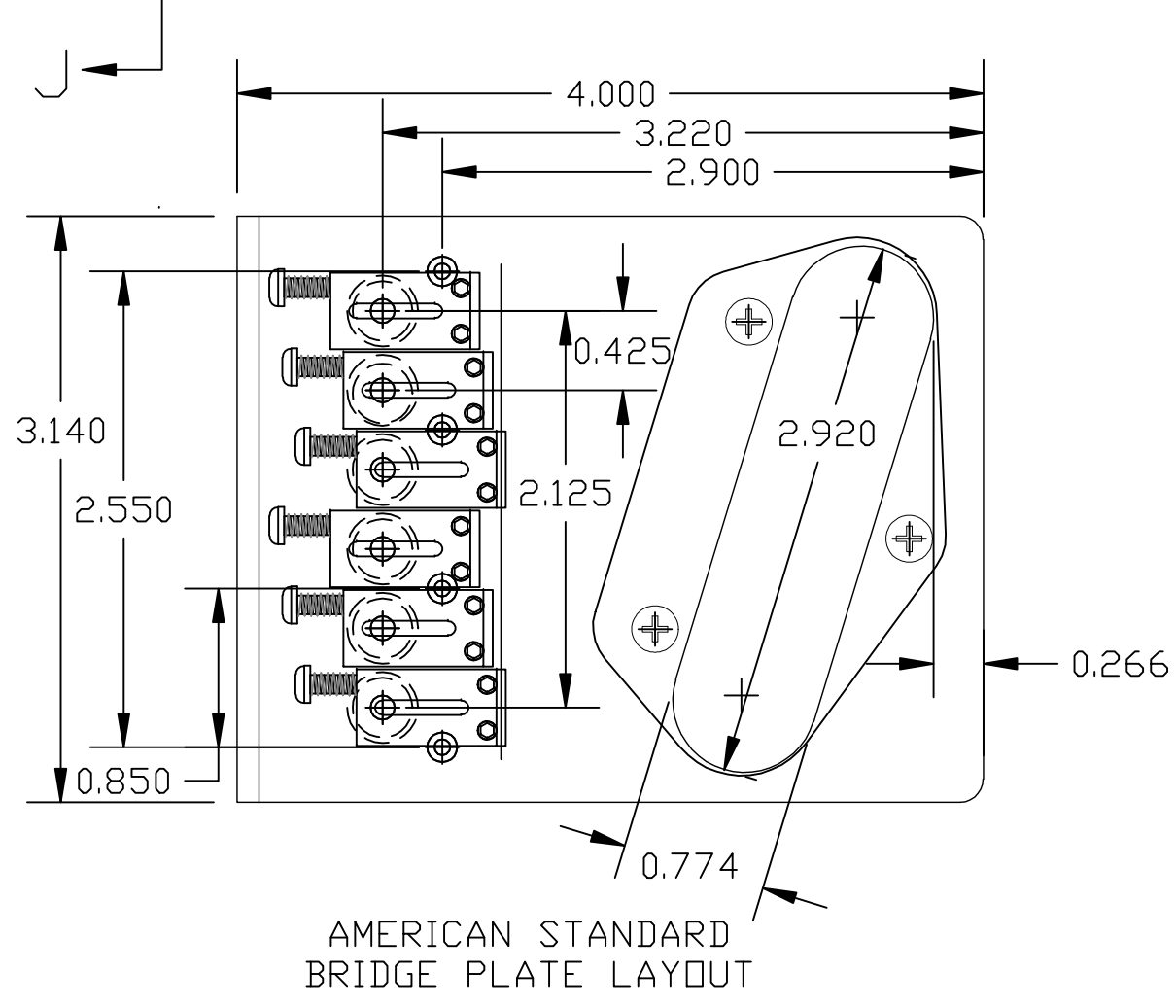
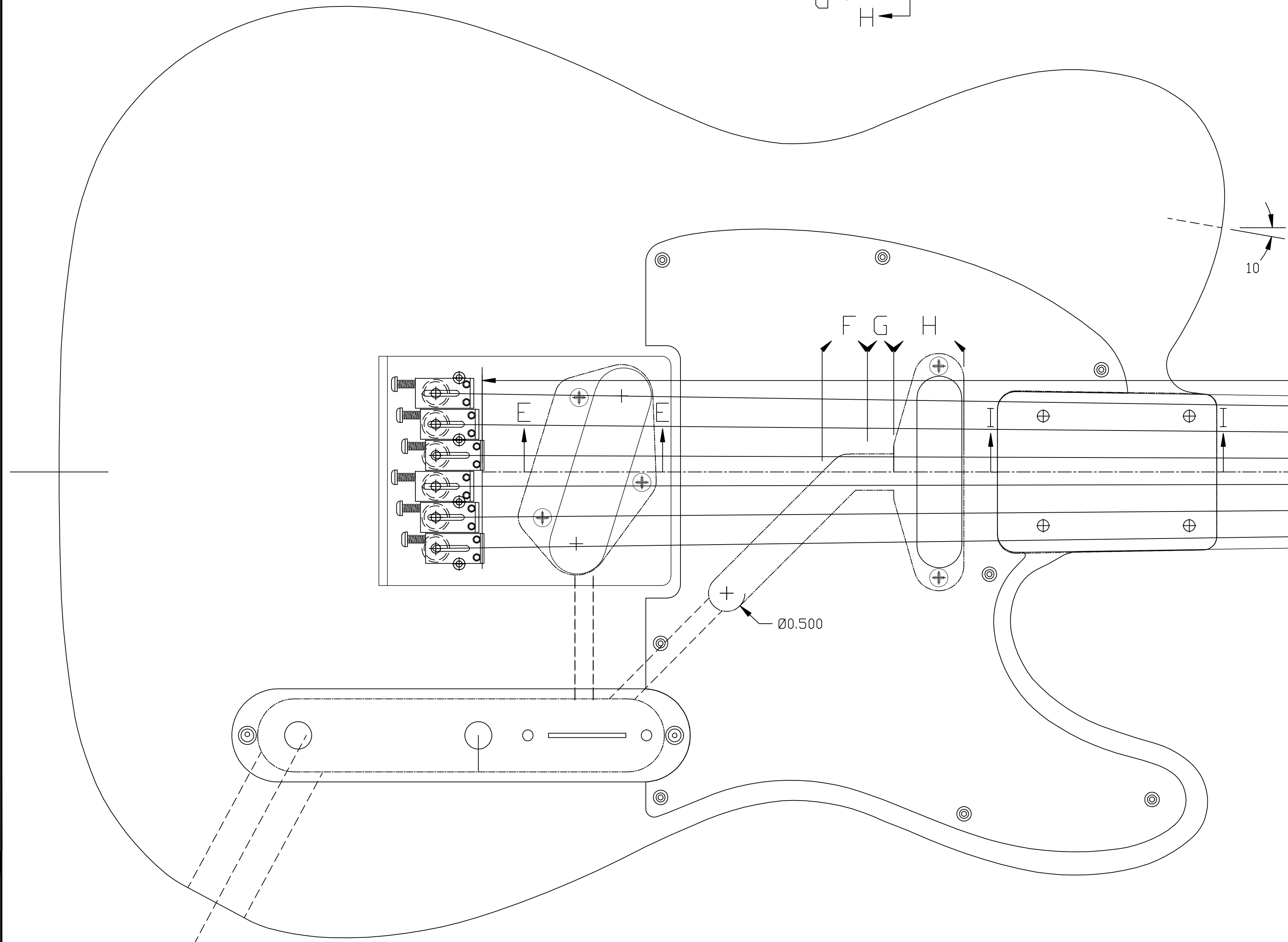
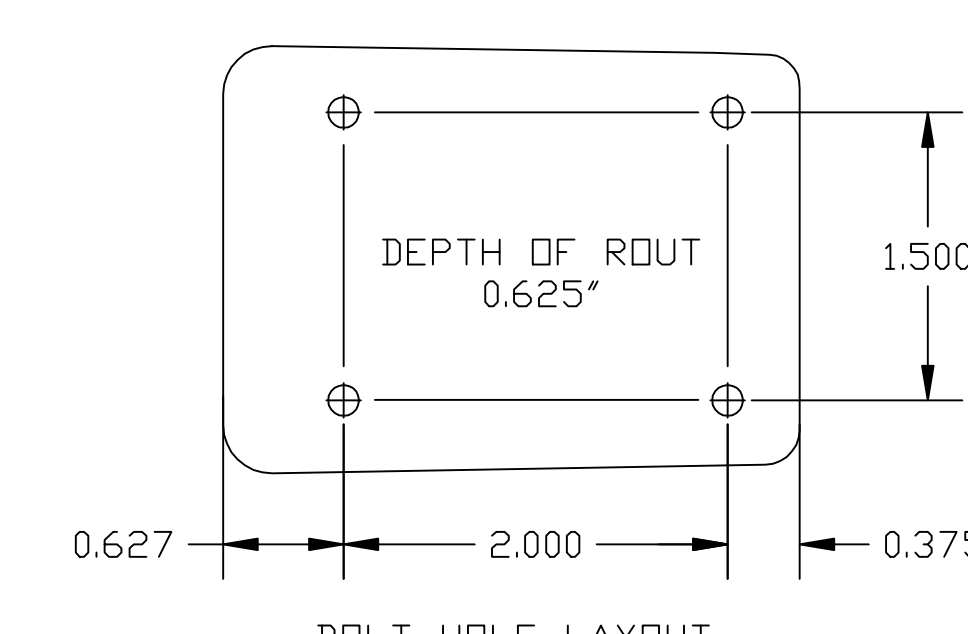
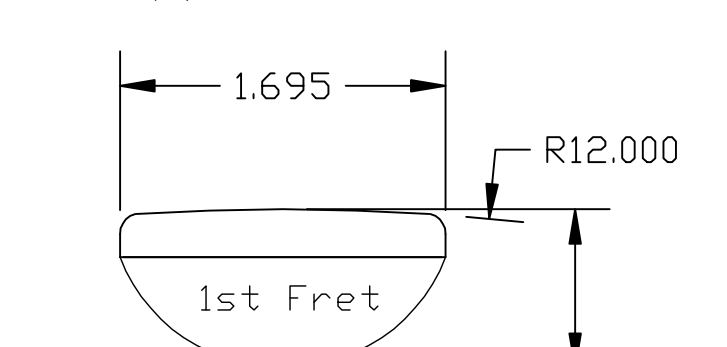
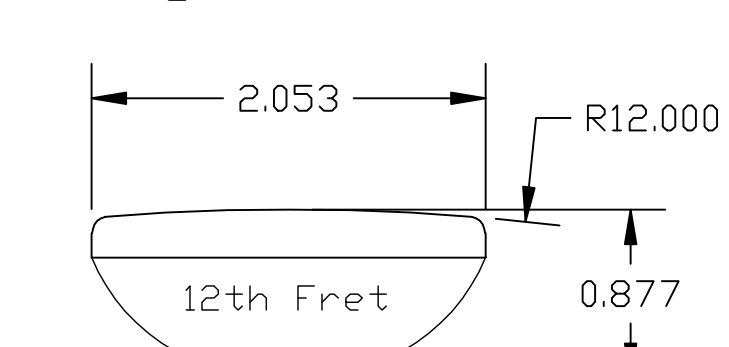


25.5" Fret Scale

Fret	From Nut	Fret to Fret
1	1.431"	1.431" (nut-1)
2	2.782"	1.351" (1-2)
3	4.057"	1.275" (2-3)
4	5.261"	1.204" (3-4)
5	6.397"	1.136" (4-5)
6	7.469"	1.072" (5-6)
7	8.481"	1.012" (6-7)
8	9.436"	0.955" (7-8)
9	10.338"	0.902" (8-9)
10	11.189"	0.851" (9-10)
11	11.992"	0.803" (10-11)
12	12.750"	0.758" (11-12)
13	13.466"	0.716" (12-13)
14	14.141"	0.675" (13-14)
15	14.779"	0.638" (14-15)
16	15.380"	0.601" (15-16)
17	15.948"	0.568" (16-17)
18	16.484"	0.536" (17-18)
19	16.990"	0.506" (18-19)
20	17.468"	0.478" (19-20)
21	17.919"	0.451" (20-21)
22	18.344"	0.425" (21-22)



0.125 R BOTH SIDES EXCEPT NECK SOCKET AREA



TELE STYLE GUITAR
FULL SCALE PLANS
STANDARD TRUSS ROD

UNLESS OTHERWISE SPECIFIED • DIMENSIONS ARE IN INCHES • TOLERANCES - ANGLES ± 1° 3 PLACE DECIMALS ± 0.010 2 PLACE DECIMALS ± 0.02	DRAFTER 1: J. Davis DATE: 01/21/2001
• INTERPRET DRAWING PER DD3-D-1000 • REMOVE ALL BURRS AND SHARP EDGES • CONCENTRICITY MACHINED DIAMETERS .010 FIM • DIMENSIONAL LIMITS APPLY BEFORE PROCESSES • PARENTHETICAL INFO FOR REF ONLY	DRAFTER 2: JMT DATE: 01/26/2014
	REV1: JMT DATE: 02/12/14
	REV2: JMT DATE:
	REV3: JMT DATE:
	REV4: JMT DATE:
	RELEASED: JMT DATE: 02/02/2014
	FDR PERSONAL USE ONLY

SIZE	E1 42x30	DRAWING NO
SCALE	1:1 (UNLESS OTHERWISE NOTED)	