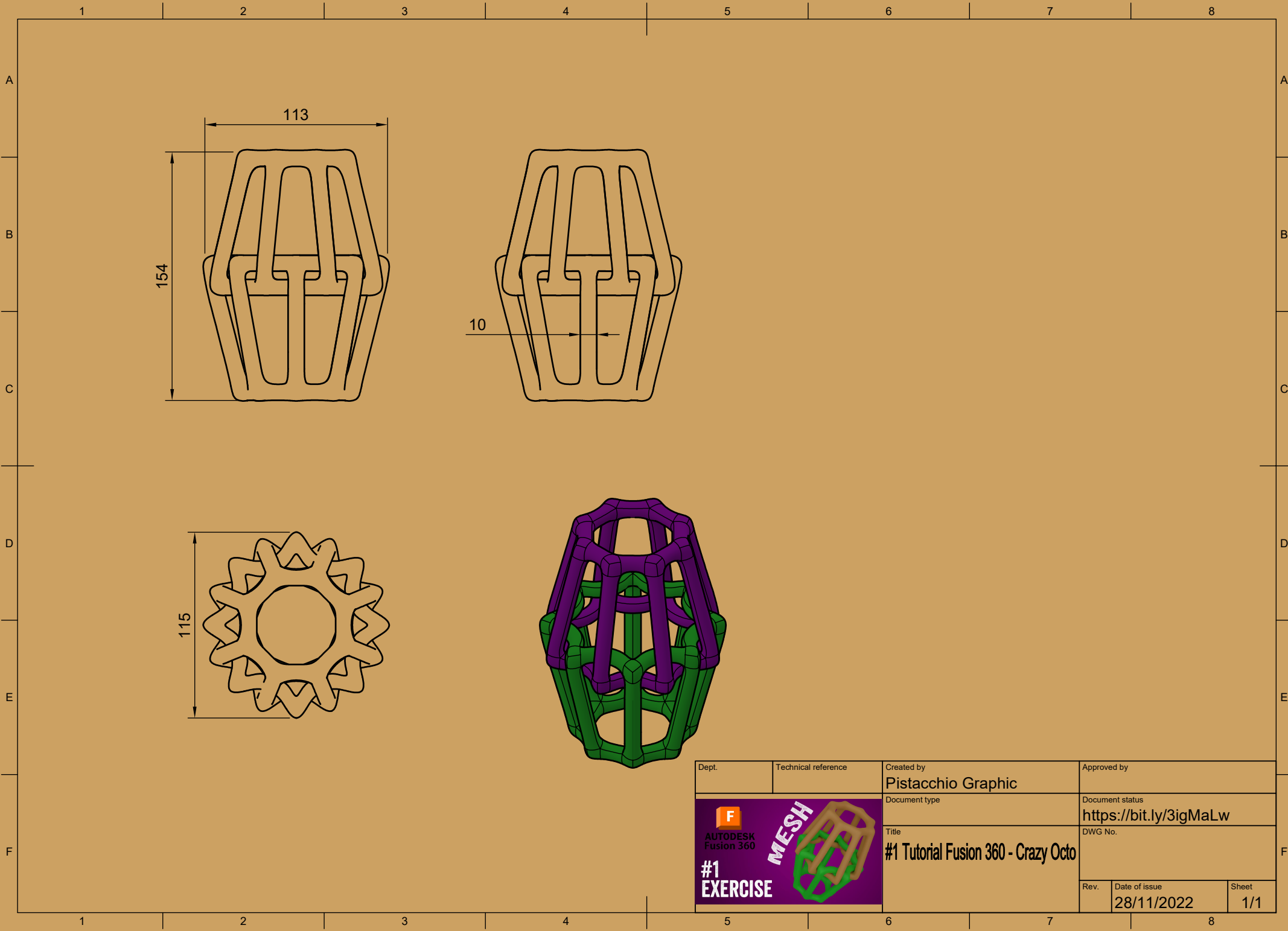

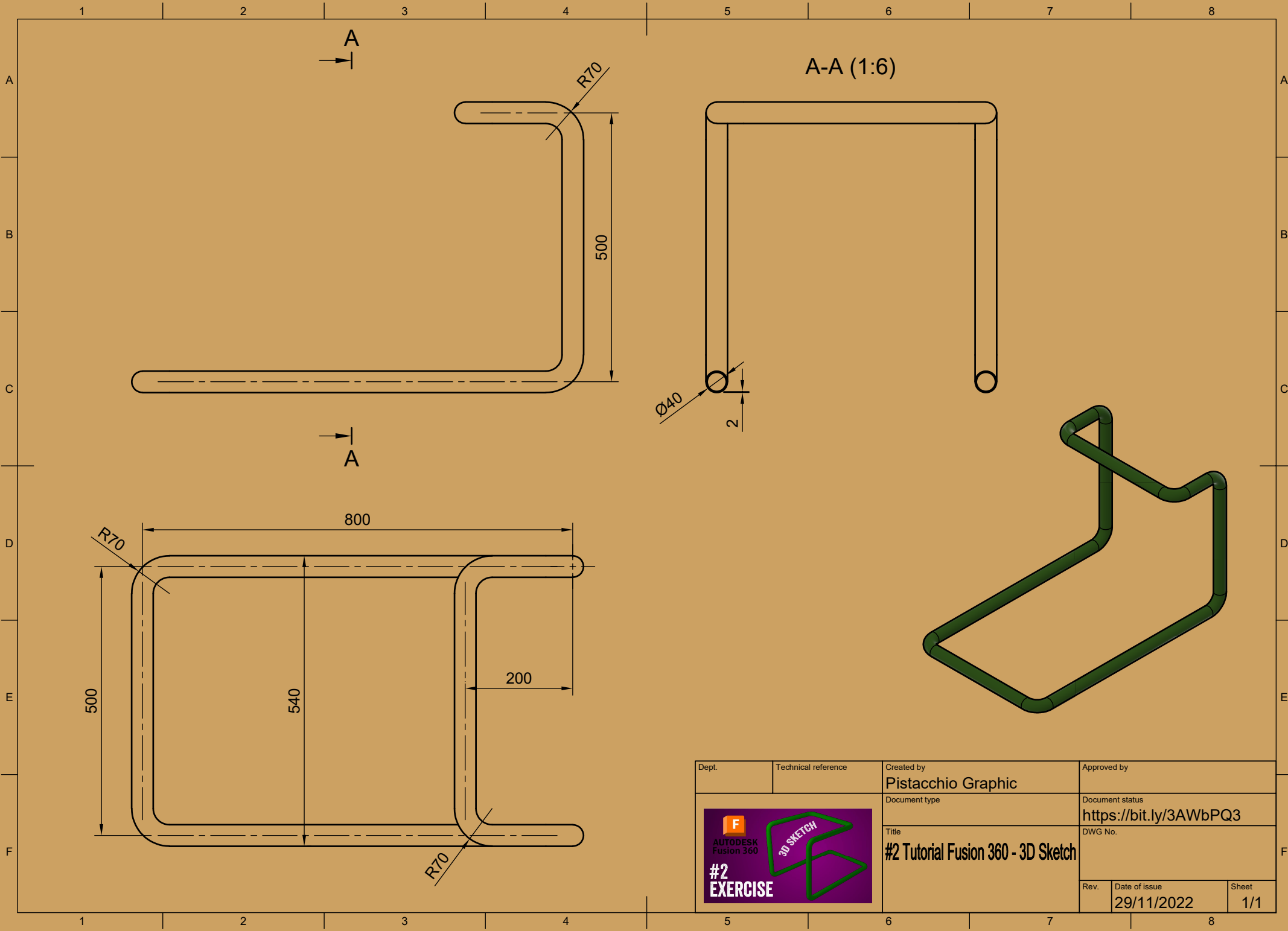



**САРА**

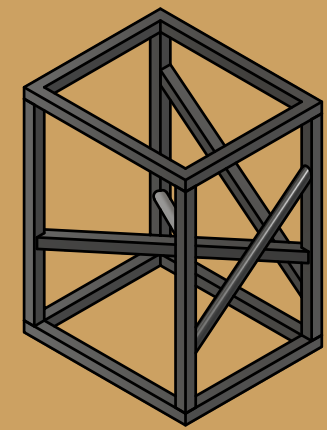
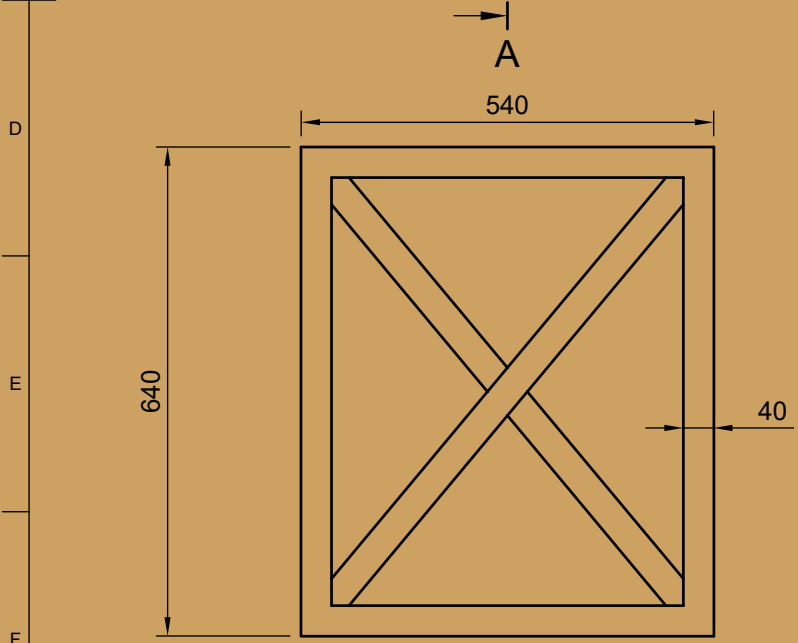
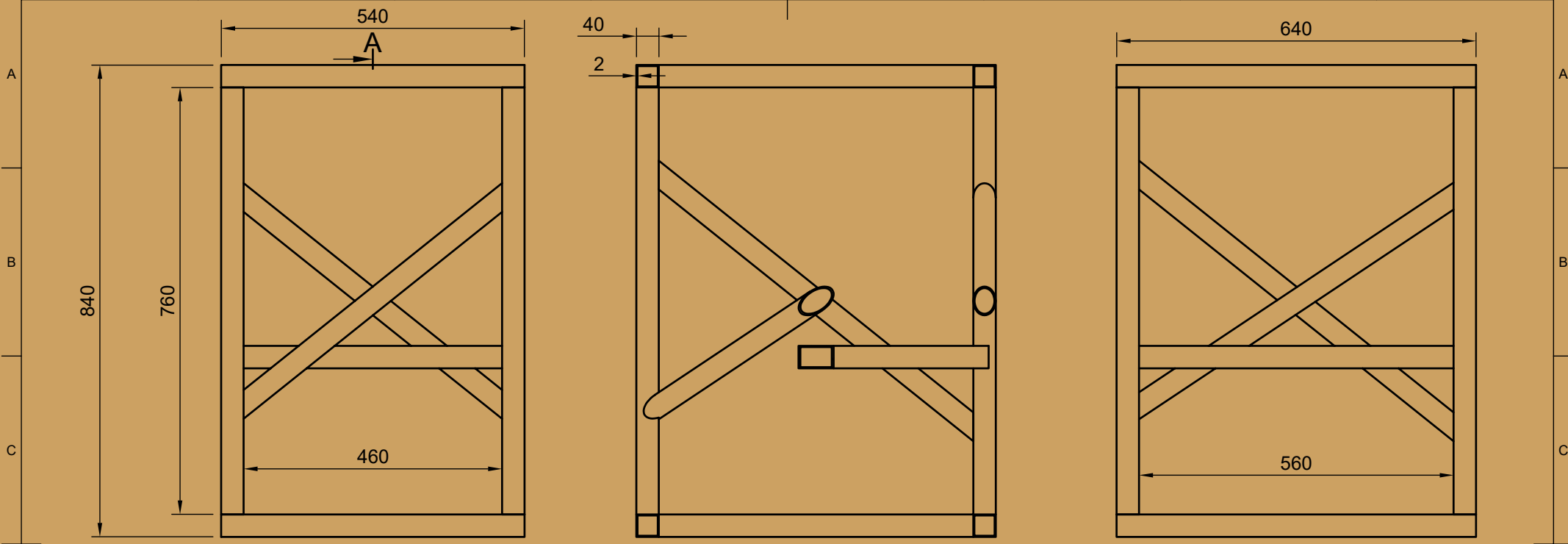



Dept.	Technical reference	Created by <b>Pistacchio Graphic</b>	Approved by
		Document type	Document status <a href="https://bit.ly/3igMaLw">https://bit.ly/3igMaLw</a>
		Title <b>#1 Tutorial Fusion 360 - Crazy Octo</b>	
Rev.	Date of issue <b>28/11/2022</b>	Sheet <b>1/1</b>	

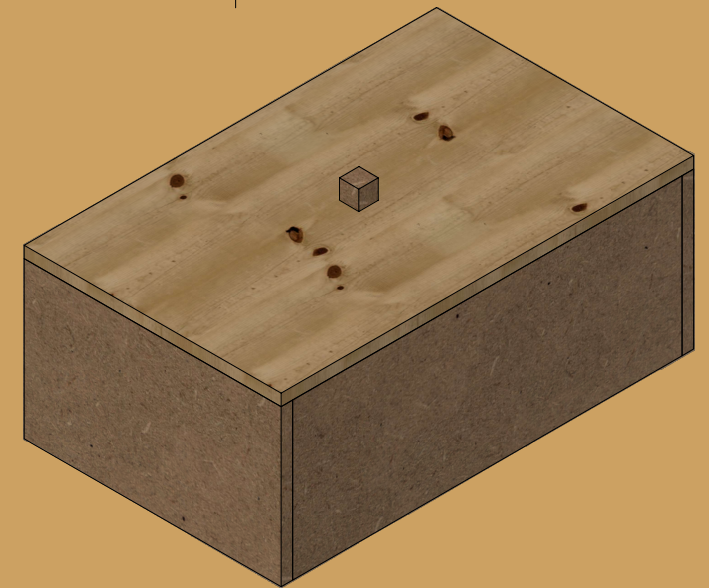
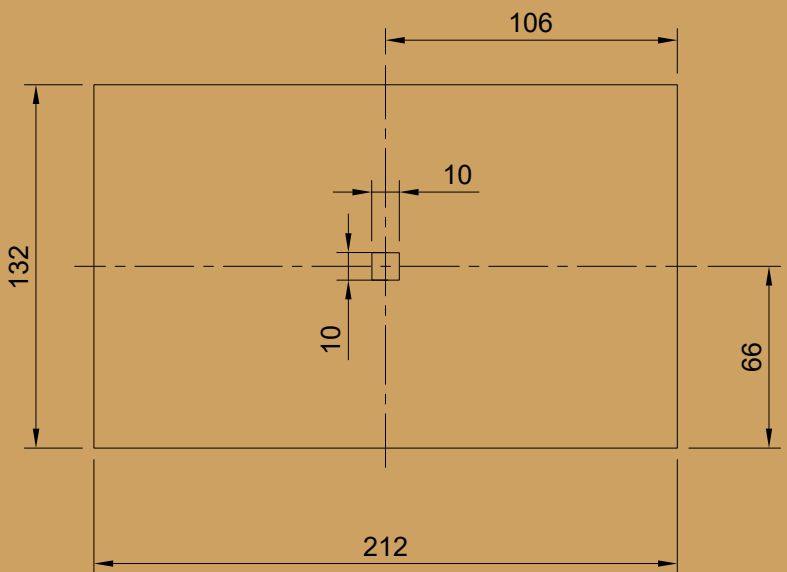
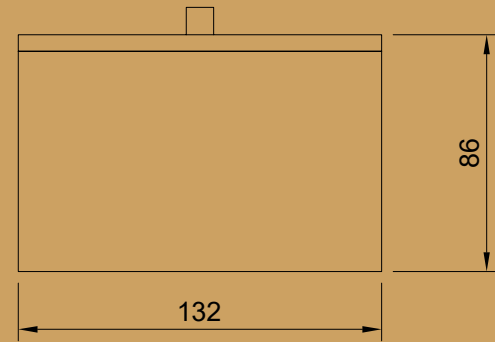
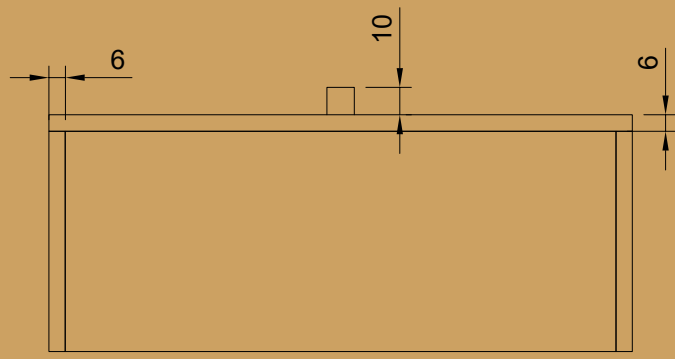


Dept.	Technical reference	Created by <b>Pistacchio Graphic</b>	Approved by
		Document type	Document status <a href="https://bit.ly/3AWbPQ3">https://bit.ly/3AWbPQ3</a>
		Title <b>#2 Tutorial Fusion 360 - 3D Sketch</b>	DWG No.
Rev.	Date of issue <b>29/11/2022</b>	Sheet <b>1/1</b>	

# A-A (1:7)

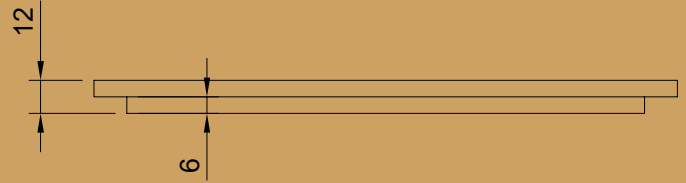
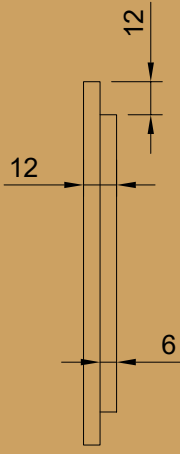
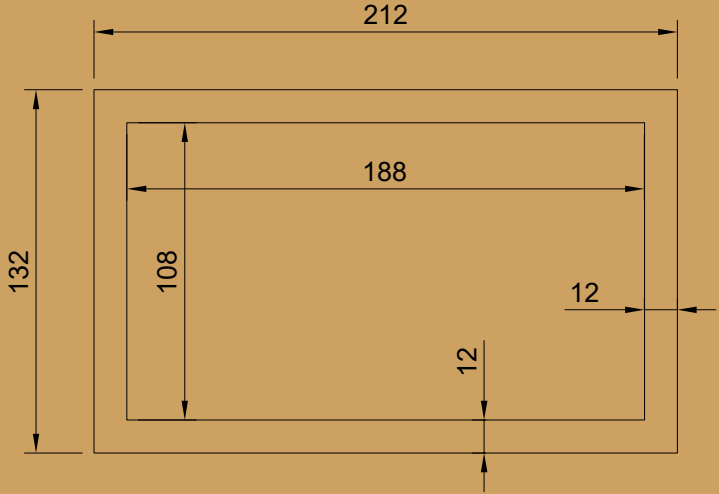


Dept.	Technical reference	Created by <b>Pistacchio Graphic</b>	Approved by
		Document type	Document status <a href="https://bit.ly/3XEocKq">https://bit.ly/3XEocKq</a>
		Title <b>#3 Tutorial Fusion 360 - Frame Tube</b>	DWG No.
Rev.	Date of issue <b>29/11/2022</b>	Sheet <b>1/1</b>	



Dept.	Technical reference	Created by <b>Pistacchio Graphic</b>	Approved by
		Document type	Document status <a href="https://bit.ly/3Fxxa1O">https://bit.ly/3Fxxa1O</a>
		Title <b>#4 Tutorial Fusion 360 - Simple Box</b>	DWG No.
	Rev.	Date of issue <b>30/11/2022</b>	Sheet <b>1/1</b>

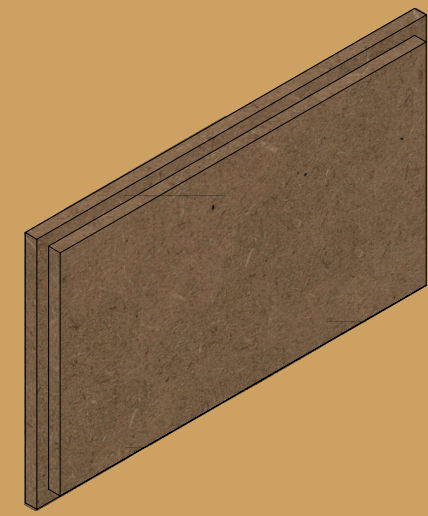
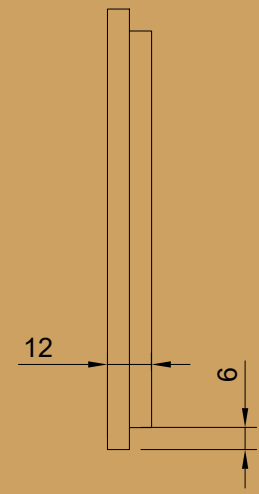
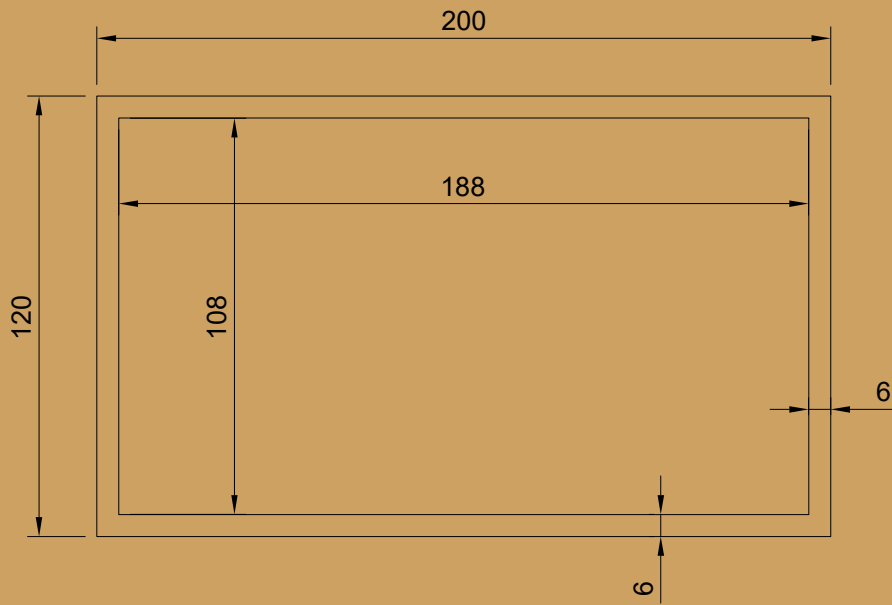




Dept.	Technical reference	Created by <b>Gustavo Grigio 29/11/2022</b>	Approved by	
		Document type <b>Tampa</b>	Document status	
		Title <b>simple box</b>	DWG No.	
		Rev.	Date of issue	Sheet <b>1/1</b>

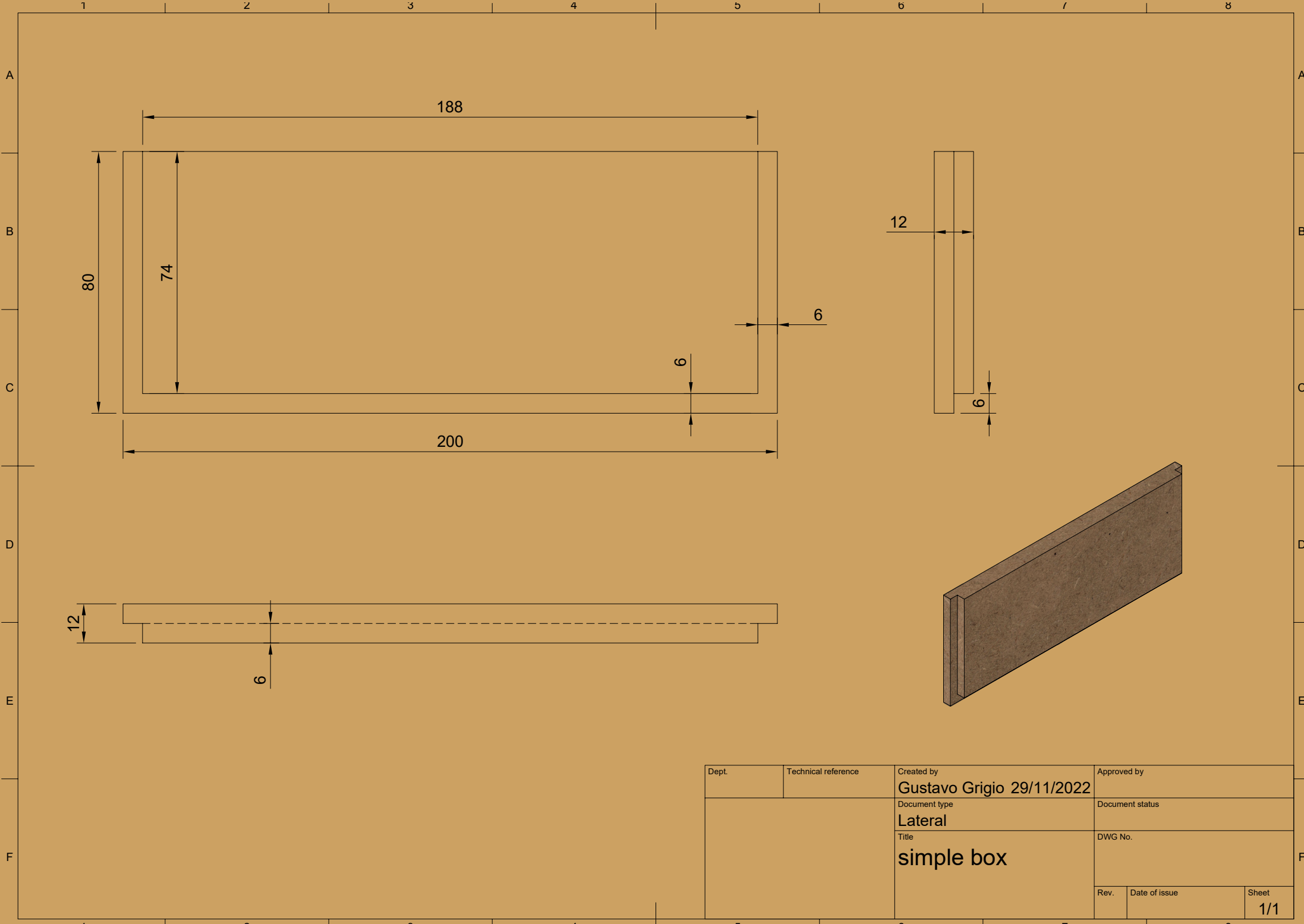
1 2 3 4 5 6 7 8

A B C D E F



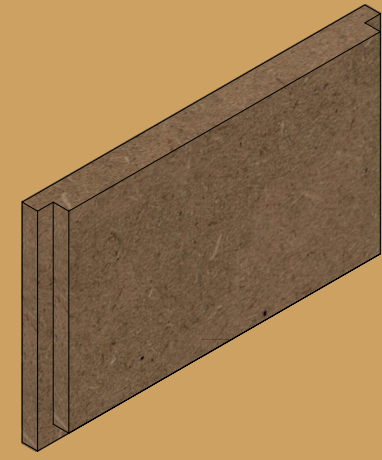
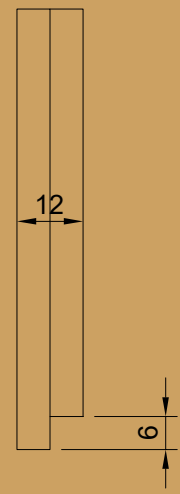
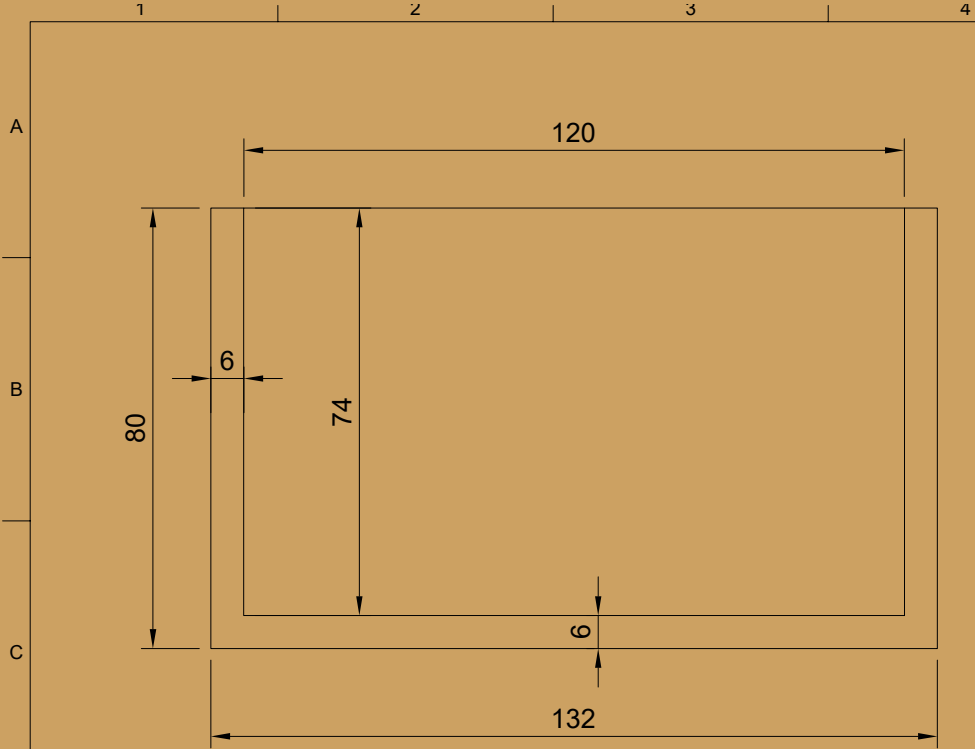
Dept.	Technical reference	Created by <b>Gustavo Grigio 29/11/2022</b>	Approved by	
		Document type <b>funfo</b>	Document status	
		Title <b>simple box</b>	DWG No.	
	Rev.	Date of issue	Sheet	<b>1/1</b>

1 2 3 4 5 6 7 8

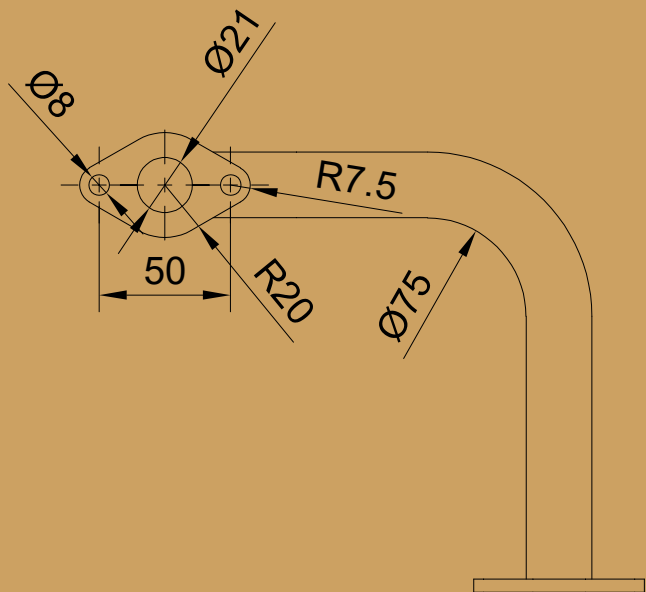
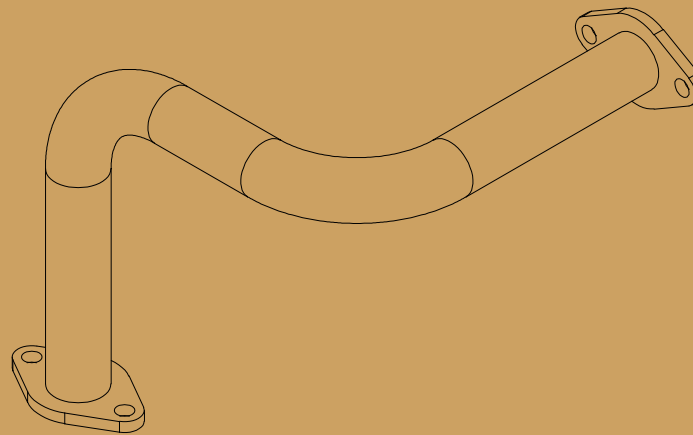
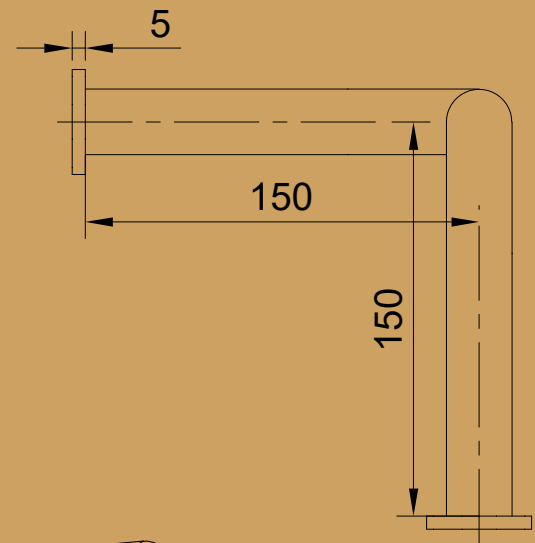
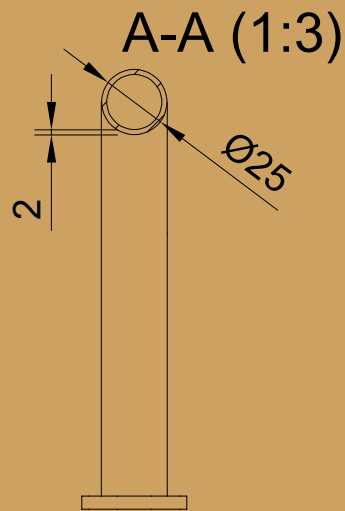
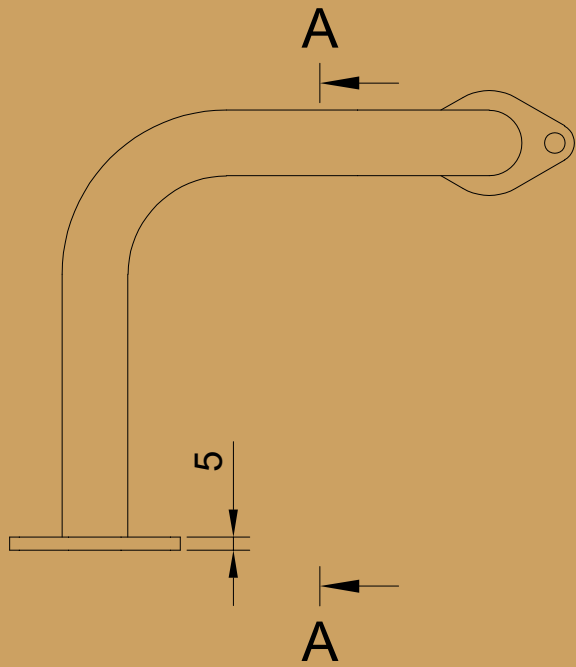



Dept.	Technical reference	Created by <b>Gustavo Grigio 29/11/2022</b>	Approved by	
		Document type <b>Lateral</b>	Document status	
		Title <b>simple box</b>	DWG No.	
		Rev.	Date of issue	Sheet <b>1/1</b>





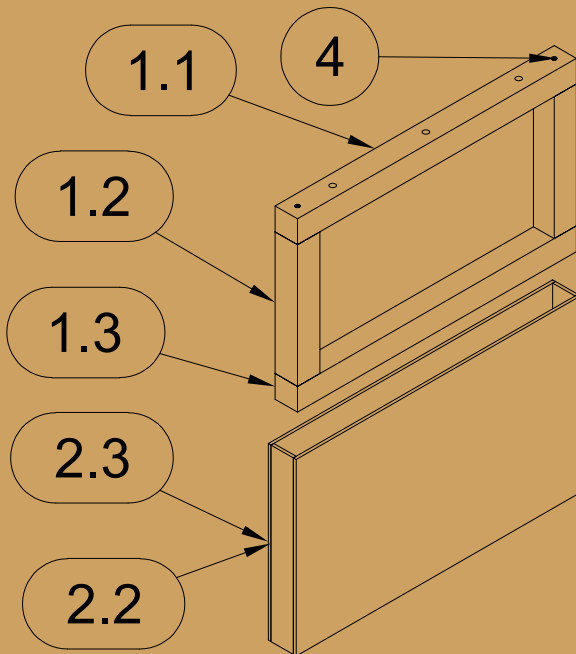
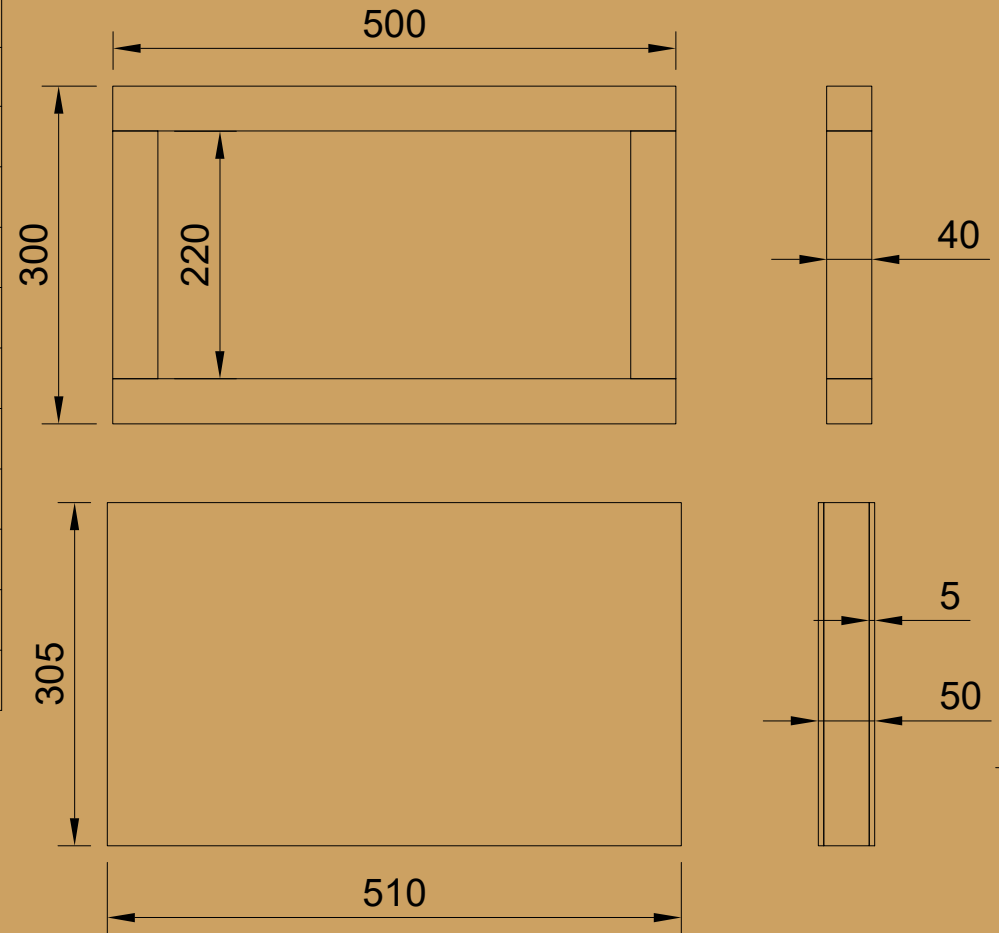
Dept.	Technical reference	Created by <b>Gustavo Grigio 29/11/2022</b>	Approved by	
		Document type <b>Canto</b>	Document status	
		Title <b>simple box</b>	DWG No.	
			Rev.	Date of issue
				Sheet <b>1/1</b>



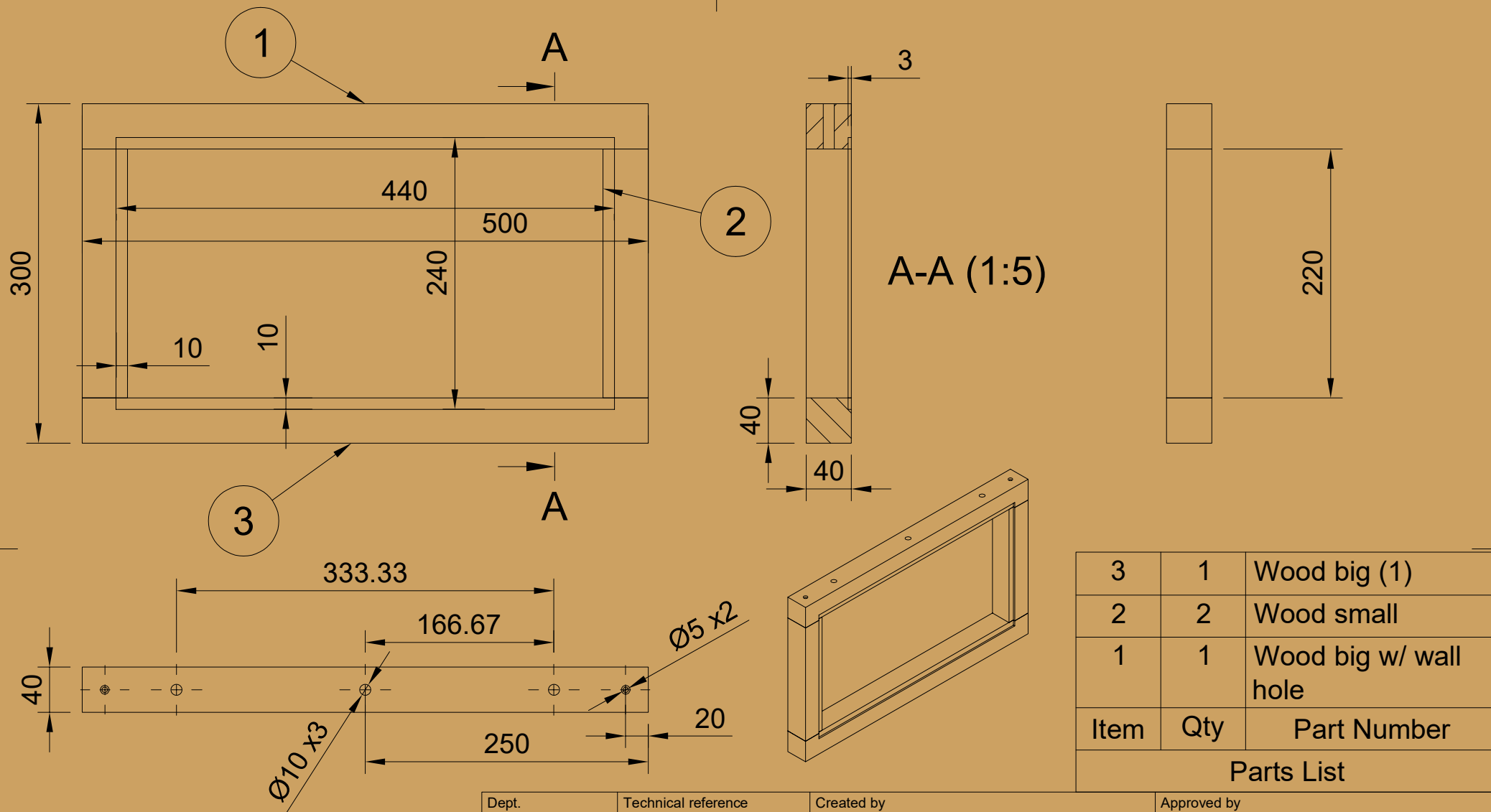
Dept.	Technical reference	Created by <b>Pistacchio Graphic</b>	Approved by
		Document type	Document status <a href="https://bit.ly/3FHQdtD">https://bit.ly/3FHQdtD</a>
		Title <b>Fusion 360 #5 Connect Tube</b>	DWG No.
Rev.	Date of issue <b>11/12/2022</b>	Sheet <b>1/1</b>	

### Parts List

Item	Qty	Part Number
1	1	AS Drawer
1.1	1	Wood big w/ wall hole
1.2	2	Wood small
1.3	1	Wood big (1)
1.4	1	Bottom
2	1	AS Cover
2.1	1	Front Cover
2.2	2	Side Cover
2.3	2	Up/down Cover
4	4	90031A159_Phillips Flat Head Screws for Wood



Dept.	Technical reference	Created by <b>Pistacchio Graphic</b>	Approved by
		Document type <b>Secret Drawer</b>	Document status <a href="https://bit.ly/3uTKyu8">https://bit.ly/3uTKyu8</a>
		Title <b>#6 Fusion 360-Secret Drawer</b>	
Rev.	Date of issue <b>15/12/2022</b>	Sheet <b>1/1</b>	

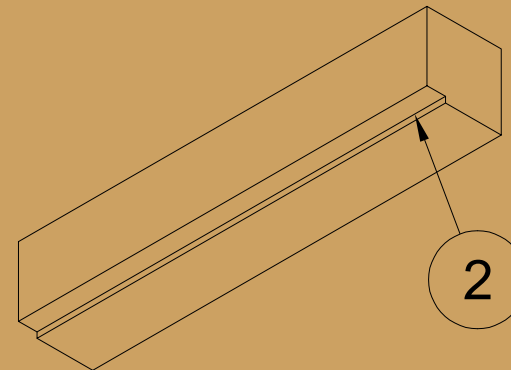
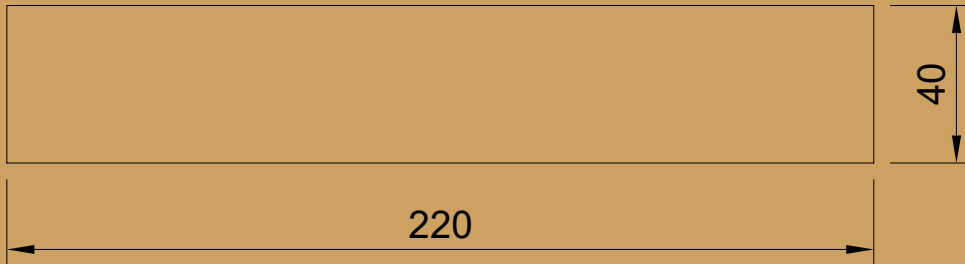
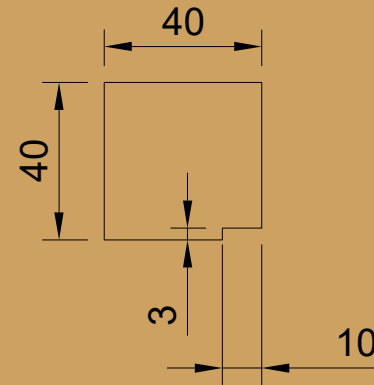


3	1	Wood big (1)
2	2	Wood small
1	1	Wood big w/ wall hole
Item	Qty	Part Number
Parts List		

Dept.	Technical reference	Created by <b>Pistacchio Graphic</b>	Approved by
		Document type <b>Drawer</b>	Document status
		Title <b>#6 Fusion 360-Secret Drawer</b>	DWG No.
		Rev.	Date of issue <b>15/12/2022</b>
			Sheet <b>1/1</b>



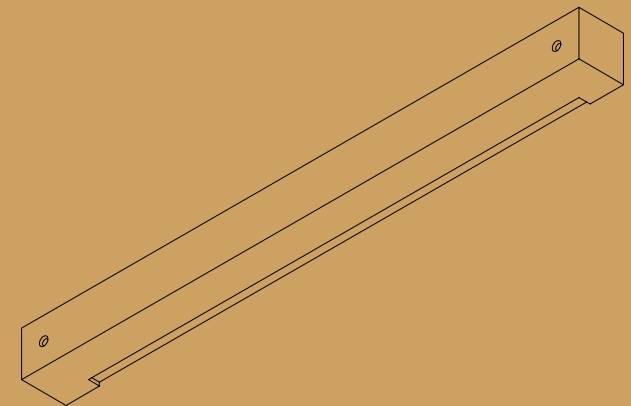
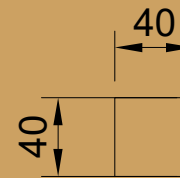
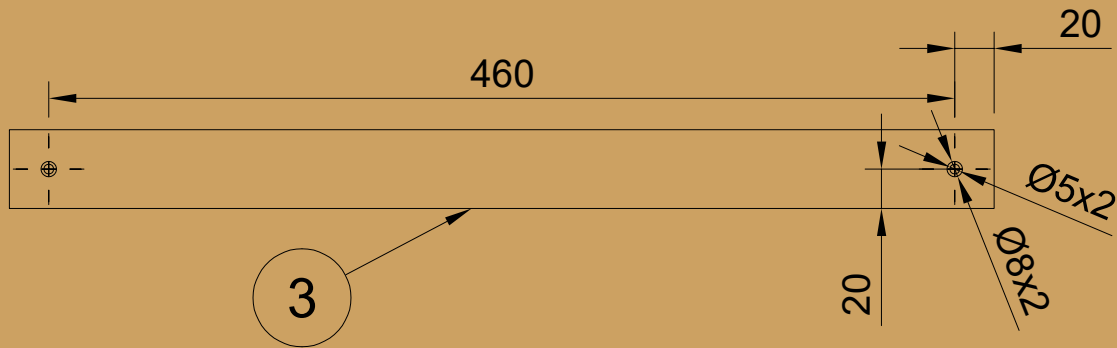
2



2

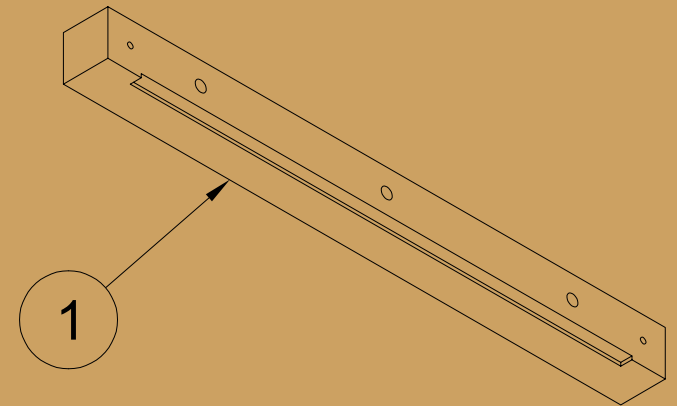
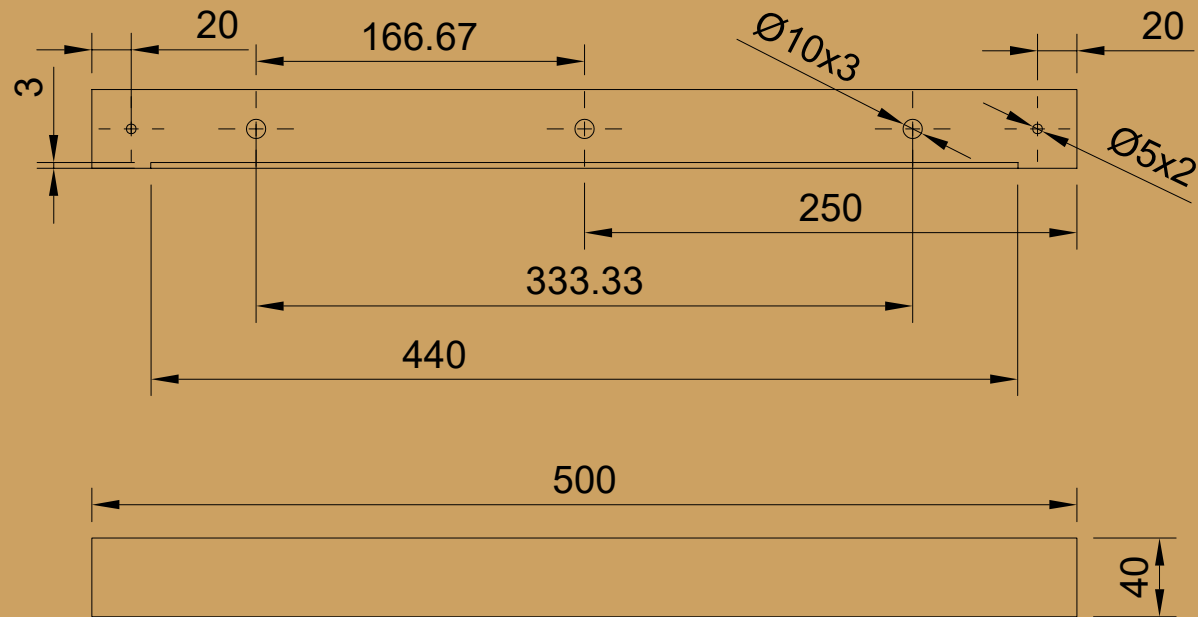
Parts List		
Item	Qty	Part Number
2	2	Wood small

Dept.	Technical reference	Created by <b>Pistacchio Graphic</b>	Approved by	
		Document type <b>Wood Small</b>	Document status	
		Title <b>#6 Fusion 360-Secret Drawer</b>	DWG No.	
		Rev.	Date of issue <b>15/12/2022</b>	Sheet <b>1/1</b>



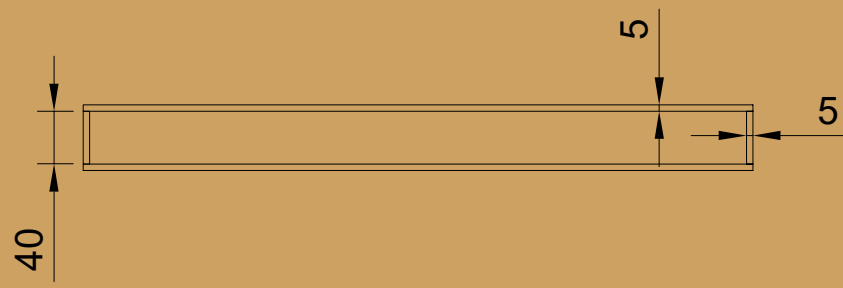
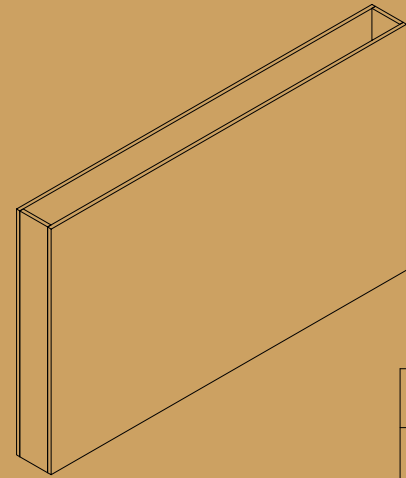
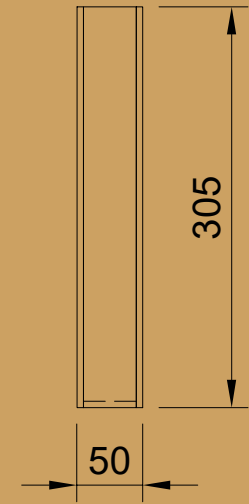
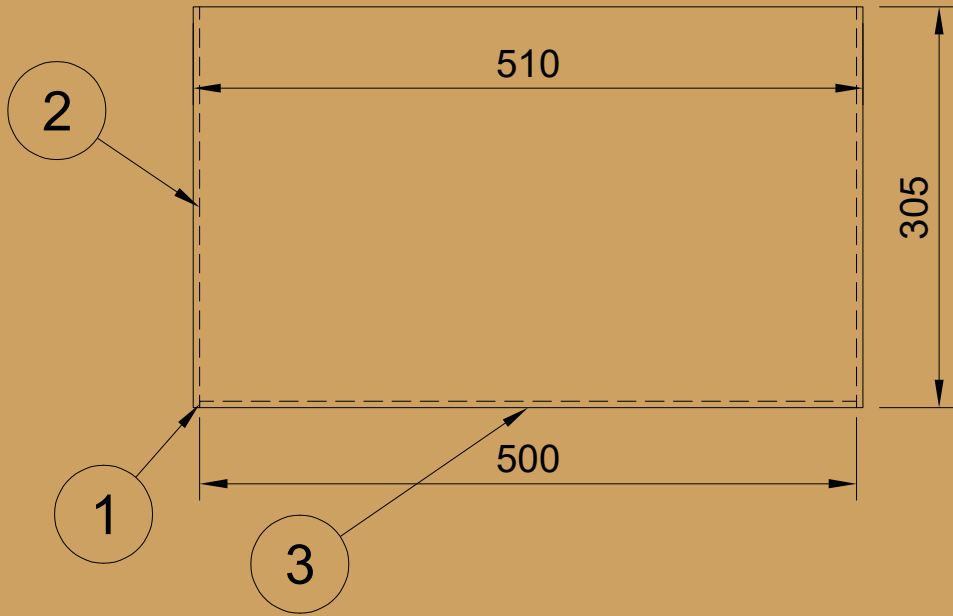
Parts List		
Item	Qty	Part Number
3	1	Wood big (1)

Dept.	Technical reference	Created by <b>Pistacchio Graphic</b>	Approved by	
		Document type <b>Wood Big</b>	Document status	
		Title <b>#6 Fusion 360-Secret Drawer</b>	DWG No.	
		Rev.	Date of issue <b>15/12/2022</b>	Sheet <b>1/1</b>



Parts List		
Item	Qty	Part Number
1	1	Wood big w/ wall hole

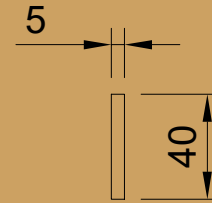
Dept.	Technical reference	Created by <b>Pistacchio Graphic</b>	Approved by	
		Document type <b>Wood Big with wall hole</b>	Document status	
		Title <b>#6 Fusion 360-Secret Drawer</b>	DWG No.	
		Rev.	Date of issue <b>12/12/2022</b>	Sheet <b>1/1</b>



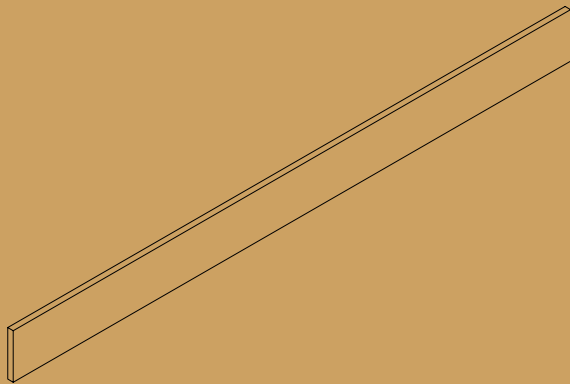
Parts List		
Item	Qty	Part Number
1	1	Front Cover
2	2	Side Cover
3	2	Up/down Cover

Dept.	Technical reference	Created by <b>Pistacchio Graphic</b>	Approved by	
		Document type <b>Cover</b>	Document status	
		Title <b>#6 Fusion 360-Secret Drawer</b>	DWG No.	
		Rev.	Date of issue <b>15/12/2022</b>	Sheet <b>1/1</b>



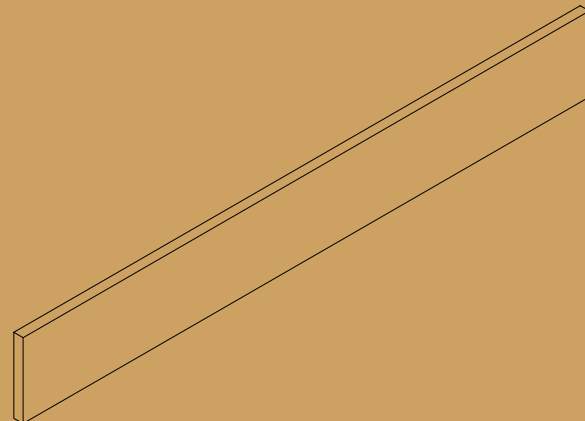
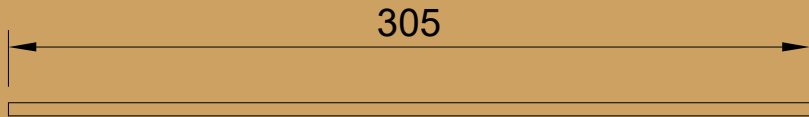
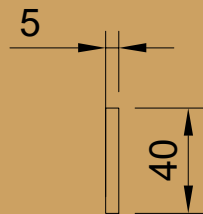
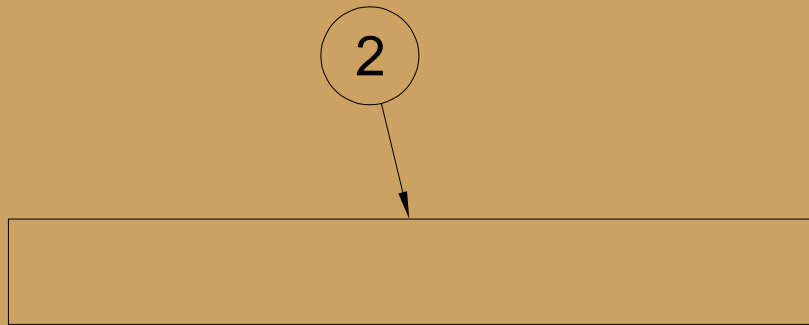


1



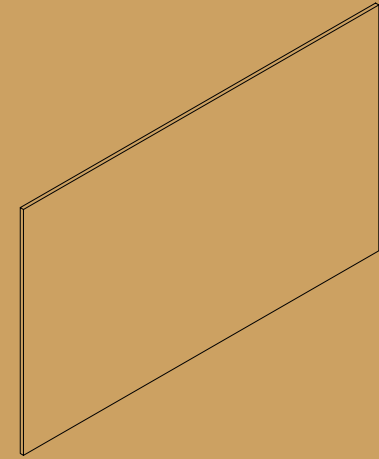
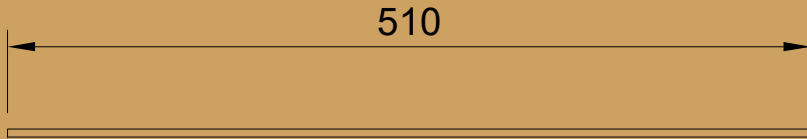
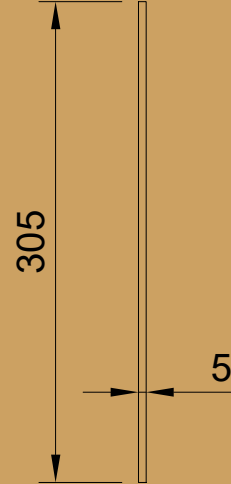
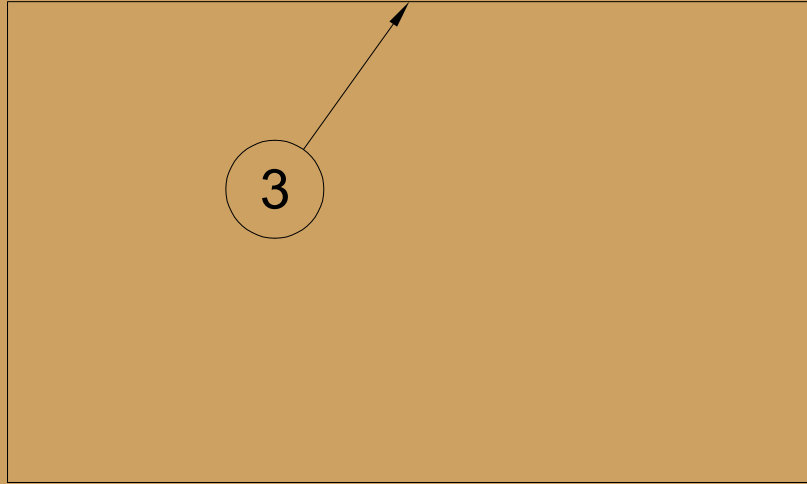
Parts List		
Item	Qty	Part Number
1	1	Front Cover

Dept.	Technical reference	Created by <b>Pistacchio Graphic</b>	Approved by	
		Document type <b>Front Cover</b>	Document status	
		Title <b>#6 Fusion 360-Secret Drawer</b>	DWG No.	
		Rev.	Date of issue <b>15/12/2022</b>	Sheet <b>1/1</b>



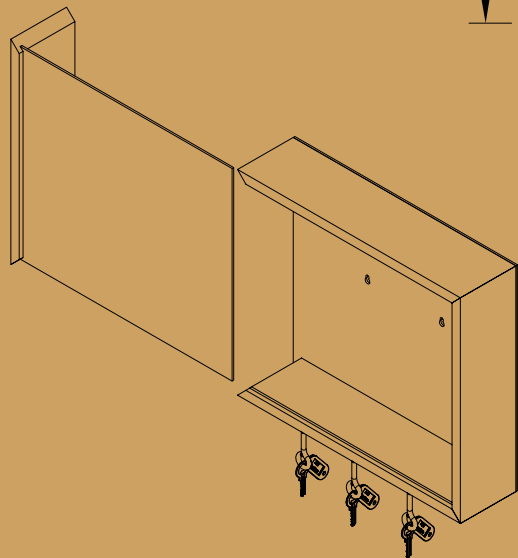
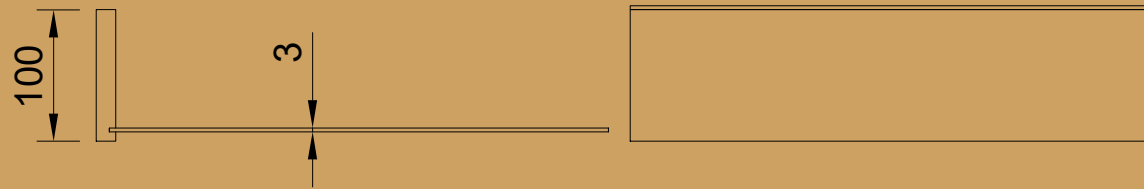
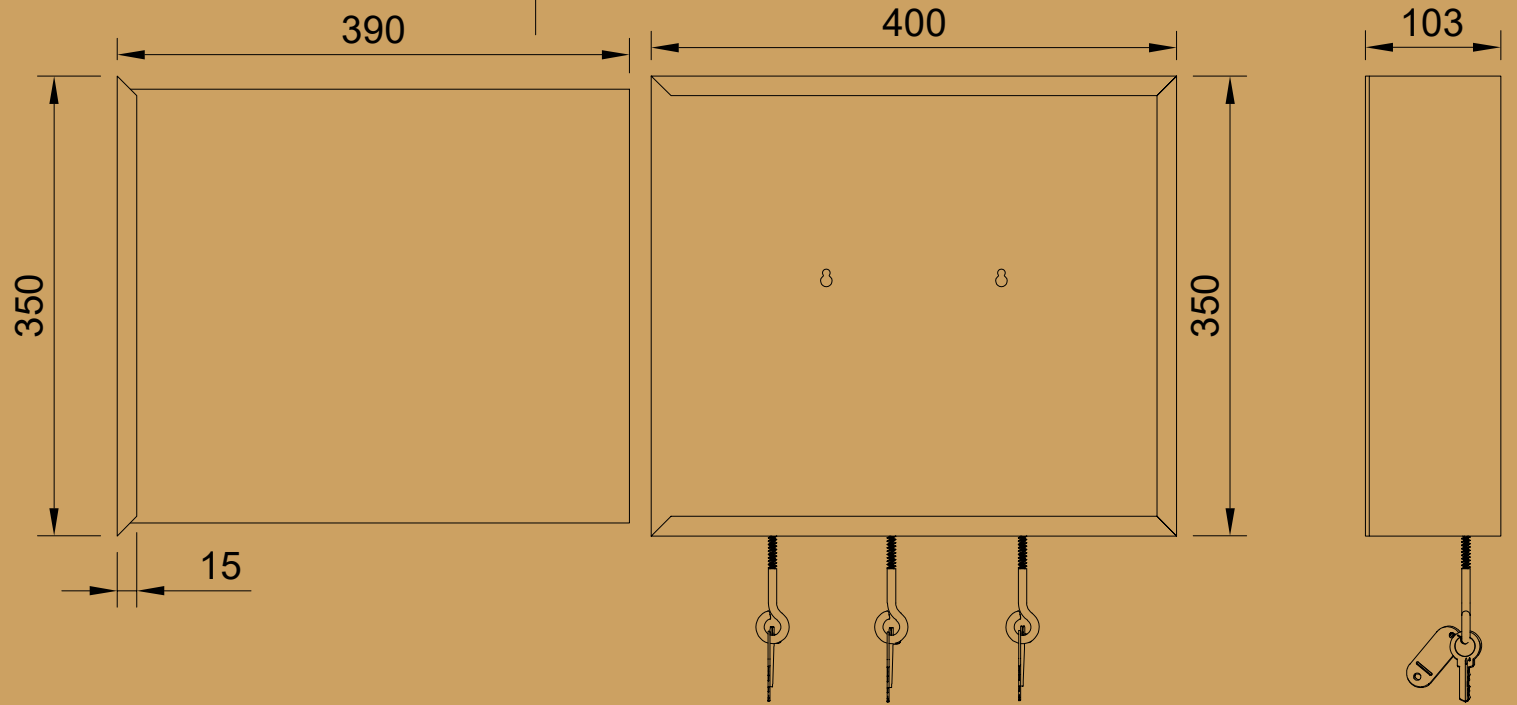
Dept.	Technical reference	Created by <b>Pistacchio Graphic</b>	Approved by	
		Document type <b>Side Cover</b>	Document status	
		Title <b>#6 Fusion 360-Secret Drawer</b>	DWG No.	
		Rev.	Date of issue <b>15/12/2022</b>	Sheet <b>1/1</b>

Parts List		
Item	Qty	Part Number
2	1	Side Cover



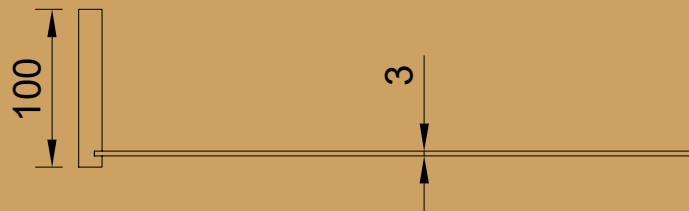
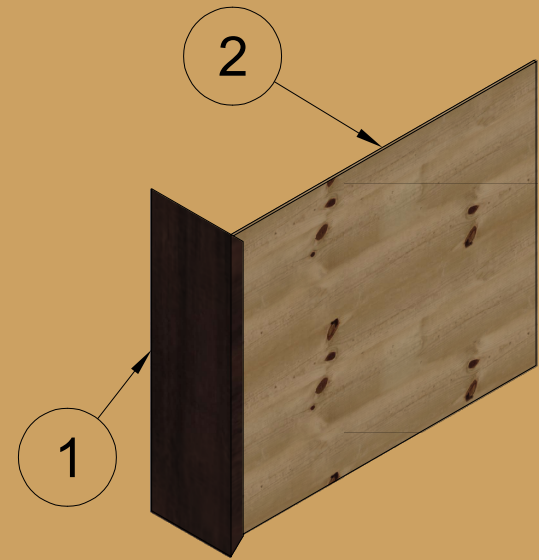
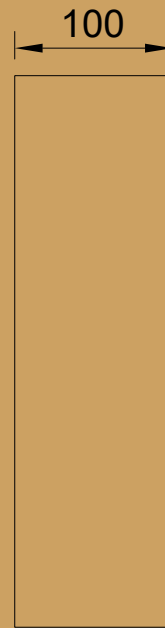
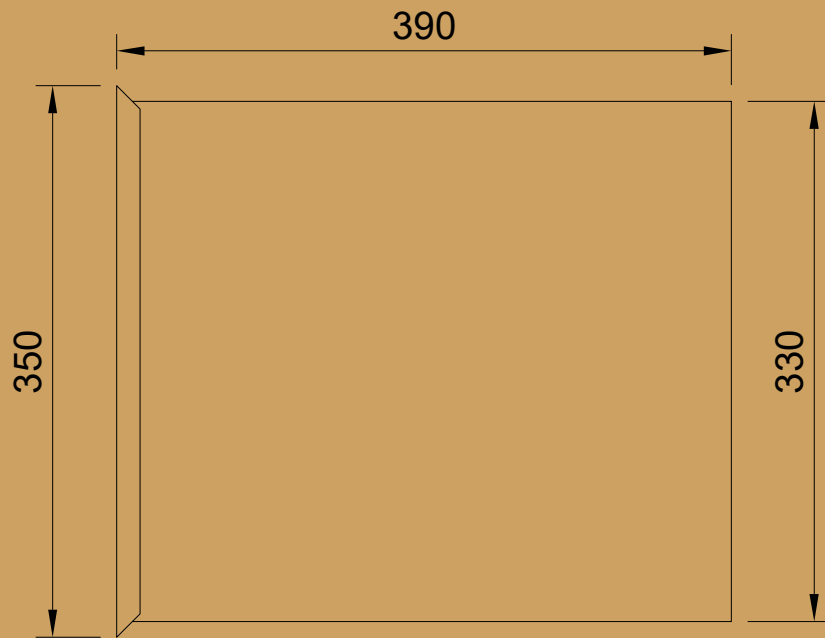
Parts List		
Item	Qty	Part Number
3	1	Up/down Cover

Dept.	Technical reference	Created by <b>Pistacchio Graphic</b>	Approved by	
		Document type <b>Up/Down Cover</b>	Document status	
		Title <b>#6 Fusion 360-Secret Drawer</b>	DWG No.	
		Rev.	Date of issue <b>15/12/2022</b>	Sheet <b>1/1</b>



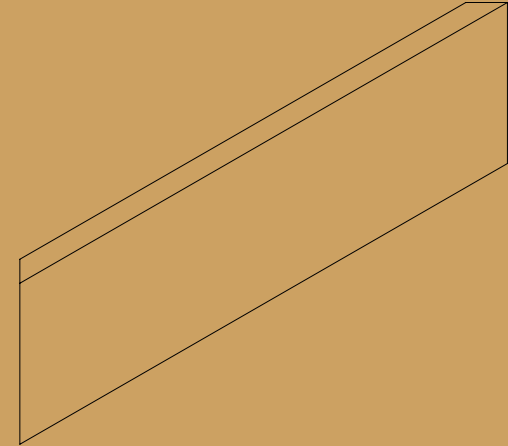
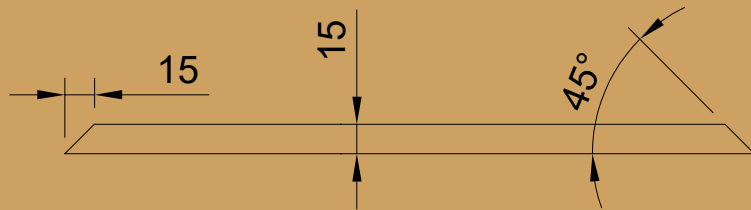
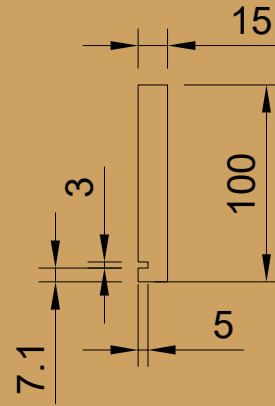
Dept.	Technical reference	Created by <b>Pistacchio Graphic</b>	Approved by
		Document type <b>#7 Fusion 360Tutorial</b>	Document status <a href="https://bit.ly/3jmg14j">https://bit.ly/3jmg14j</a>
		Title <b>Secret Canva</b>	DWG No.
		Rev.	Date of issue <b>20/12/2022</b>
			Sheet <b>1/1</b>





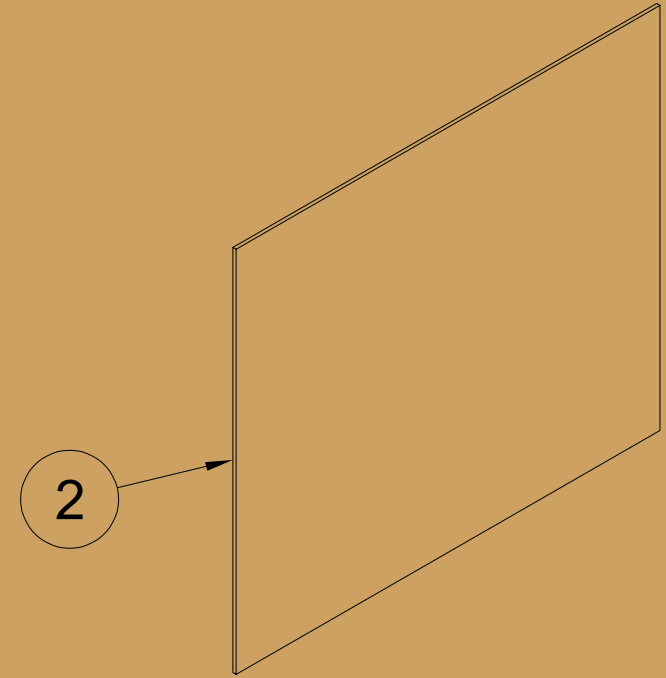
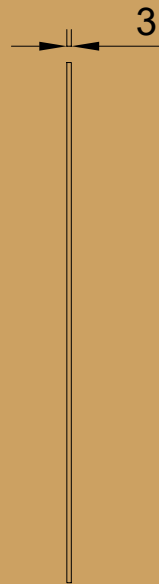
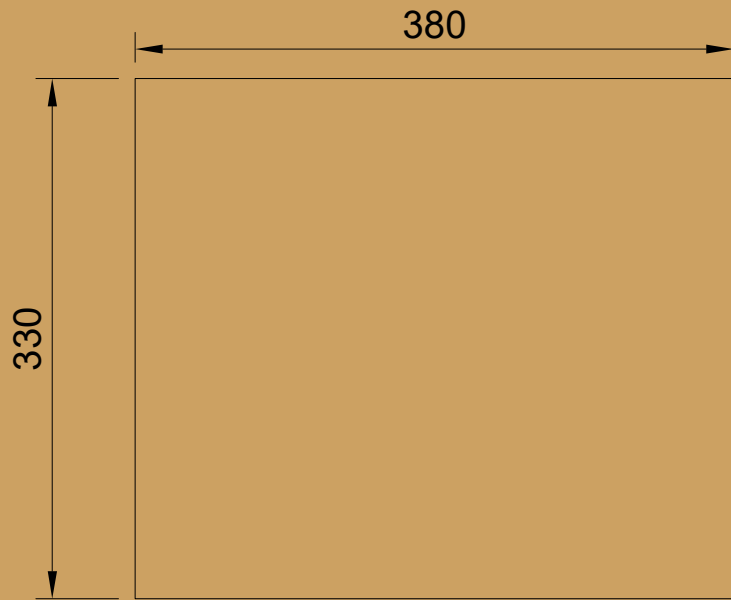
Parts List		
Item	Qty	Part Number
1	1	Side board narrow
2	1	Cover

Dept.	Technical reference	Created by <b>Pistacchio Graphic</b>	Approved by	
		Document type <b>#7 Fusion 360 Tutorial</b>	Document status	
		Title <b>AS Cover</b>	DWG No.	
		Rev.	Date of issue <b>20/12/2022</b>	Sheet <b>1/1</b>



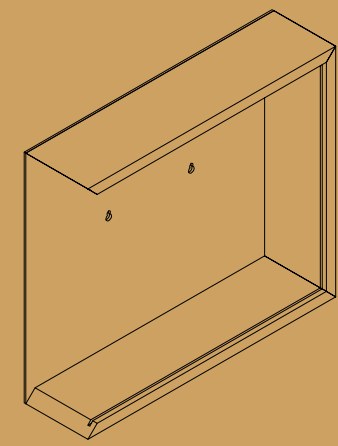
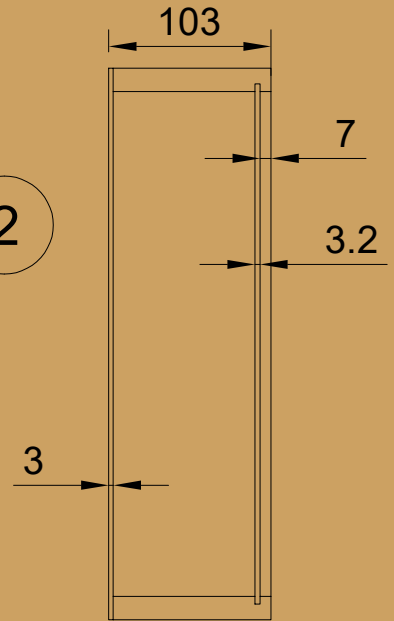
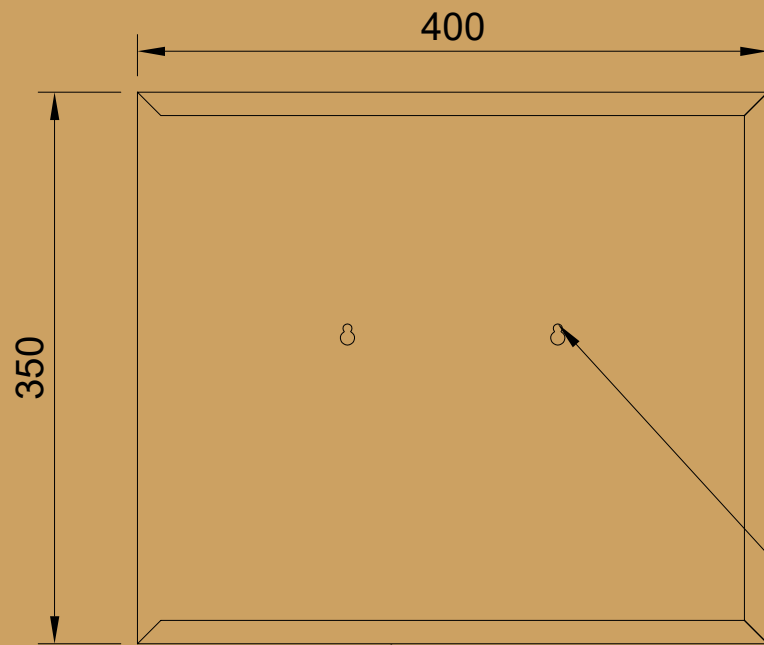
Parts List		
Item	Qty	Part Number
1	1	Side board narrow

Dept.	Technical reference	Created by <b>Pistacchio Graphic</b>	Approved by	
		Document type <b>#7 Fusion 360 Tutorial</b>	Document status	
		Title <b>Side Board Narrow</b>	DWG No.	
		Rev.	Date of issue <b>20/12/2022</b>	Sheet <b>1/1</b>



Parts List		
Item	Qty	Part Number
2	1	Cover

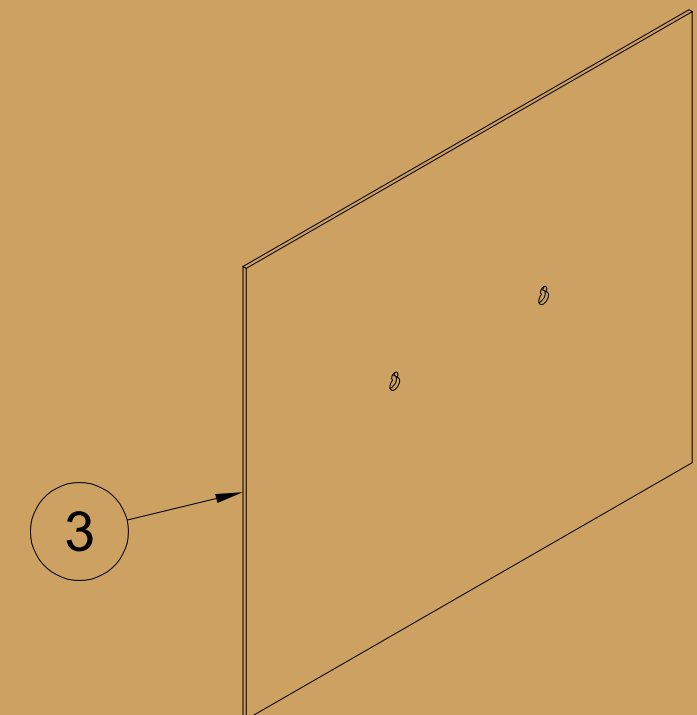
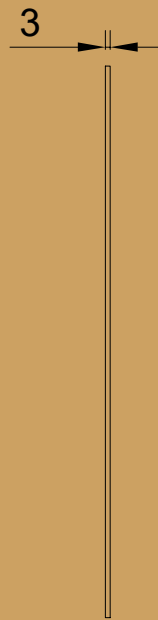
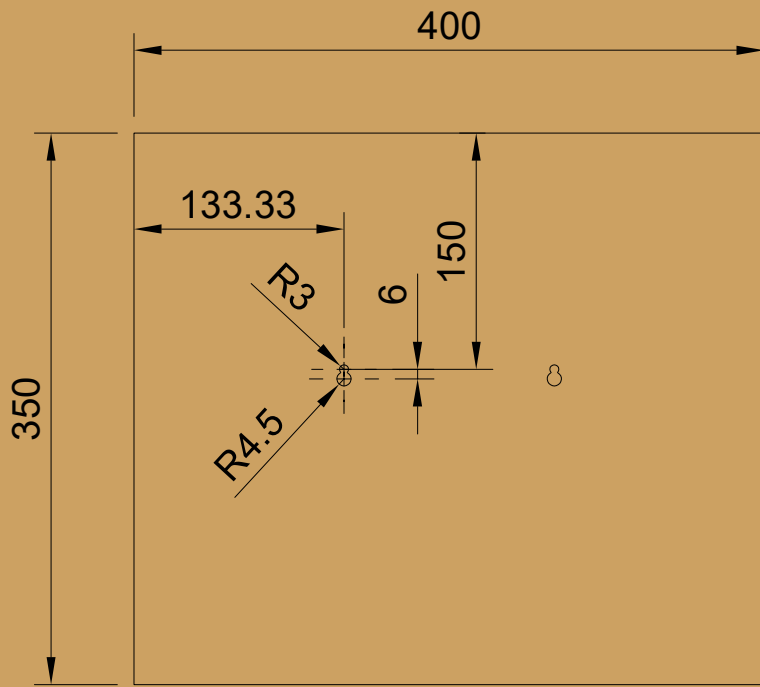
Dept.	Technical reference	Created by <b>Pistacchio Graphic</b>	Approved by	
		Document type <b>#7 Fusion 360 Tutorial</b>	Document status	
		Title <b>Cover</b>	DWG No.	
		Rev.	Date of issue <b>20/12/2022</b>	Sheet <b>1/1</b>



Parts List		
Item	Qty	Part Number
1	2	Up/down board
2	1	Side board
3	1	Bottom

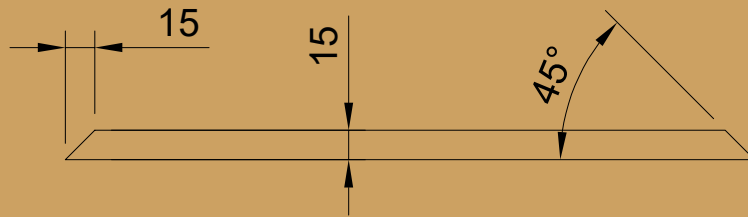
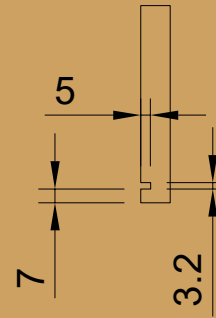
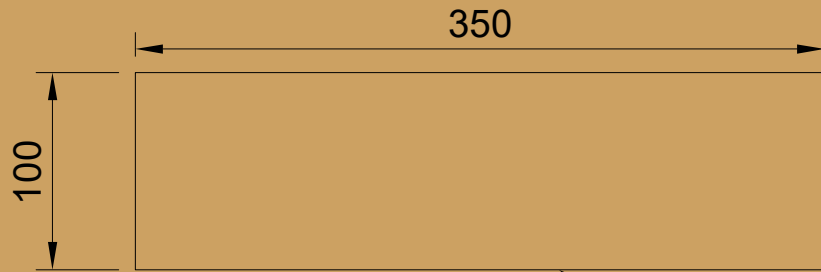
Dept.	Technical reference	Created by <b>Pistacchio Graphic</b>	Approved by	
		Document type <b>#7 Fusion 360 Tutorial</b>	Document status	
		Title <b>AS Canva</b>	DWG No.	
		Rev.	Date of issue <b>20/12/2022</b>	Sheet <b>1/1</b>



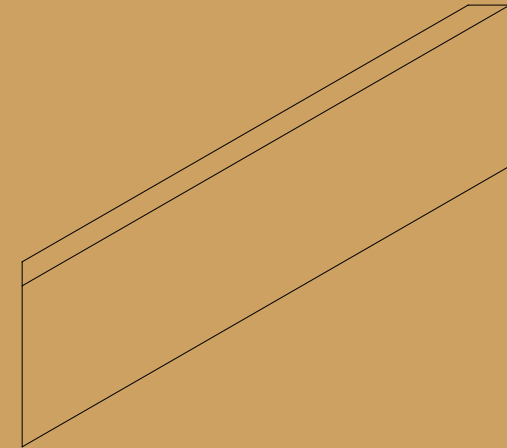


Parts List		
Item	Qty	Part Number
3	1	Bottom

Dept.	Technical reference	Created by <b>Pistacchio Graphic</b>	Approved by	
		Document type <b>#7 Fusion 360 Tutorial</b>	Document status	
		Title <b>Bottom</b>	DWG No.	
		Rev.	Date of issue <b>20/12/2022</b>	Sheet <b>1/1</b>

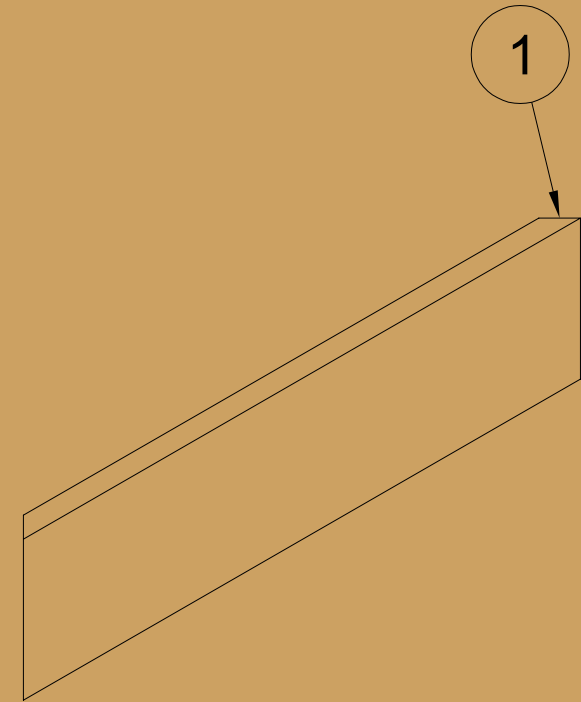
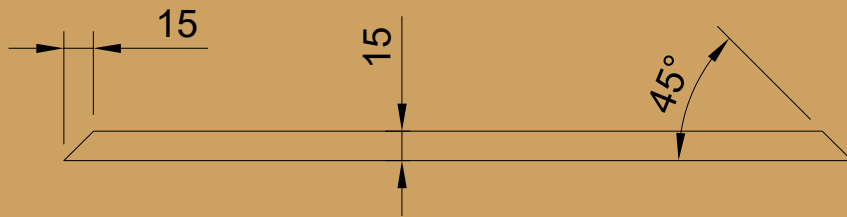
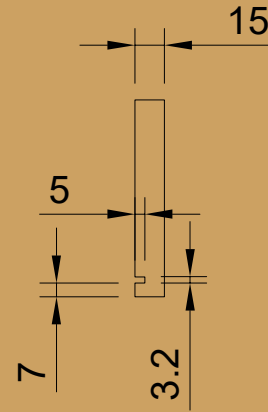
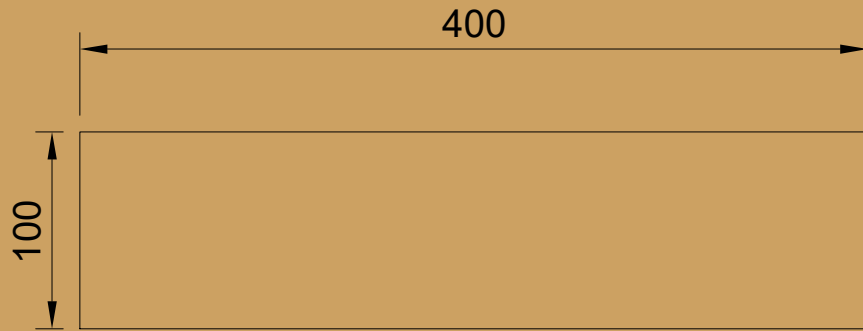


2



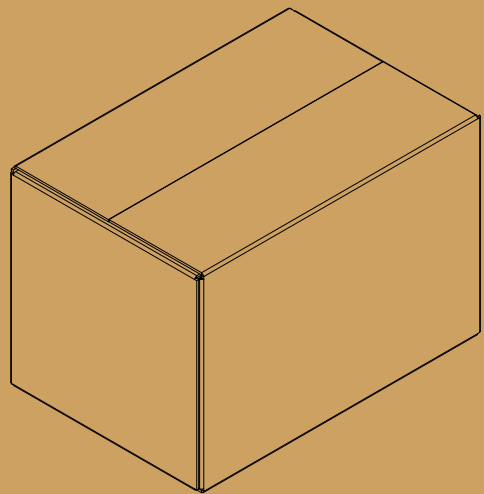
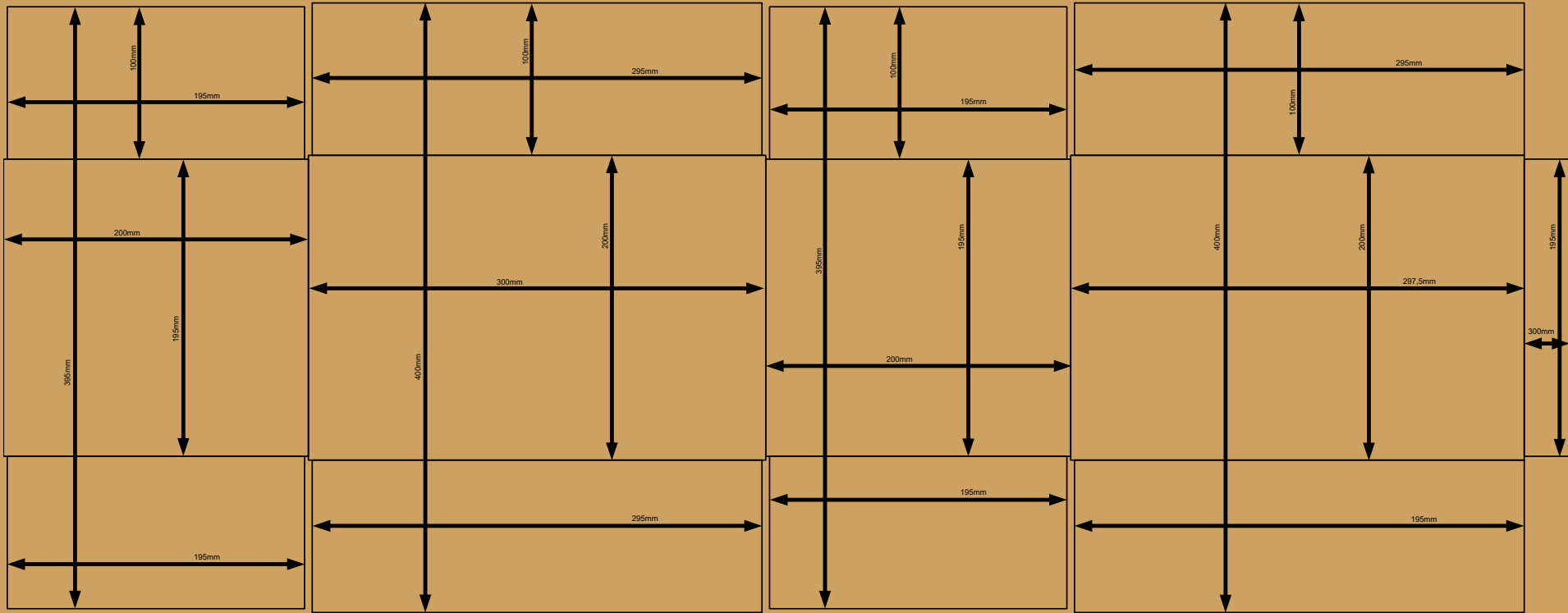
Parts List		
Item	Qty	Part Number
2	1	Side board

Dept.	Technical reference	Created by <b>Pistacchio Graphic</b>	Approved by	
		Document type <b>#7 Fusion 360 Tutorial</b>	Document status	
		Title <b>Side Board</b>	DWG No.	
		Rev.	Date of issue <b>20/12/2022</b>	Sheet <b>1/1</b>



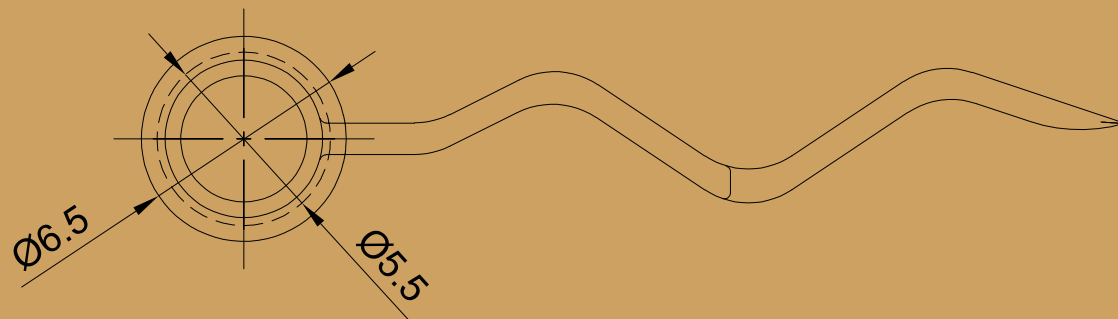
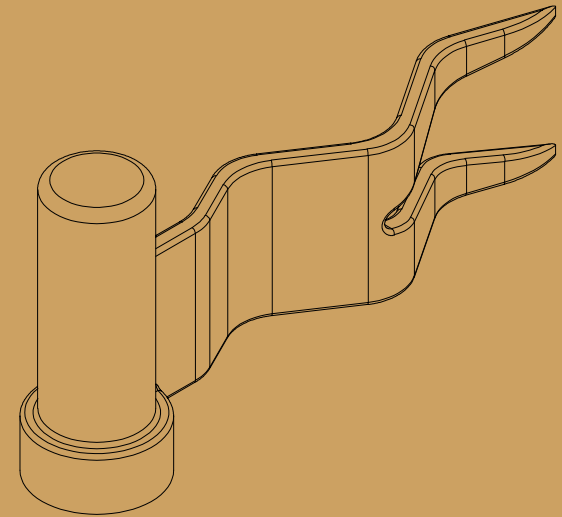
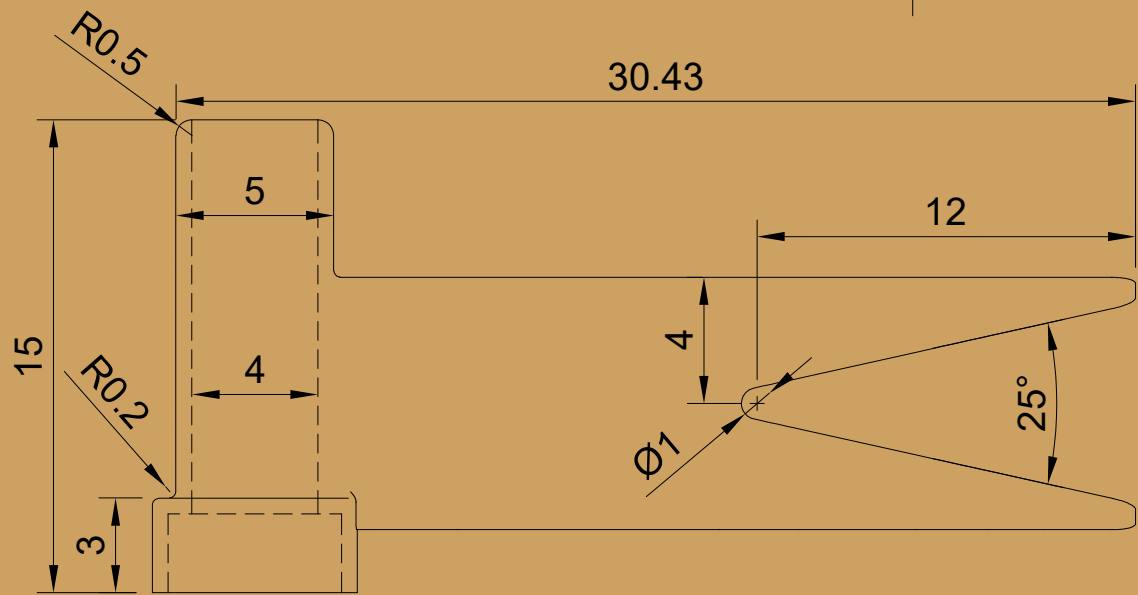
Parts List		
Item	Qty	Part Number
1	1	Up/down board

Dept.	Technical reference	Created by <b>Pistacchio Graphic</b>	Approved by	
		Document type <b>#7 Fusion 360 Tutorial</b>	Document status	
		Title <b>Up Down Side Board</b>	DWG No.	
		Rev.	Date of issue <b>20/12/2022</b>	Sheet <b>1/1</b>

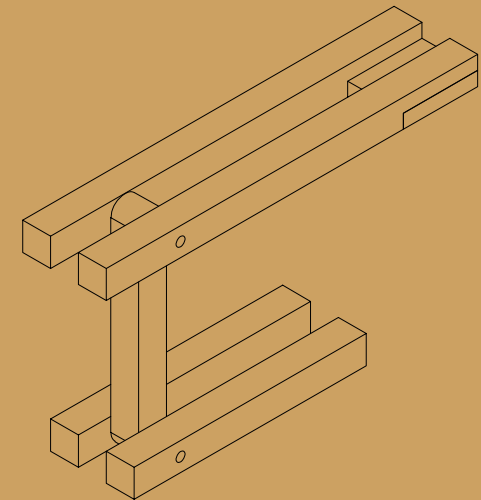
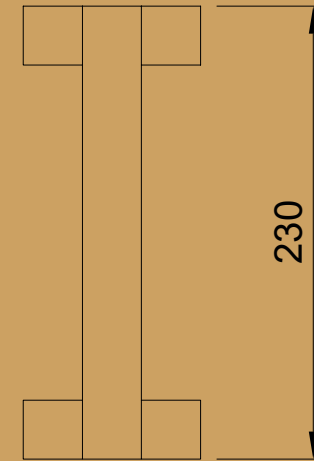
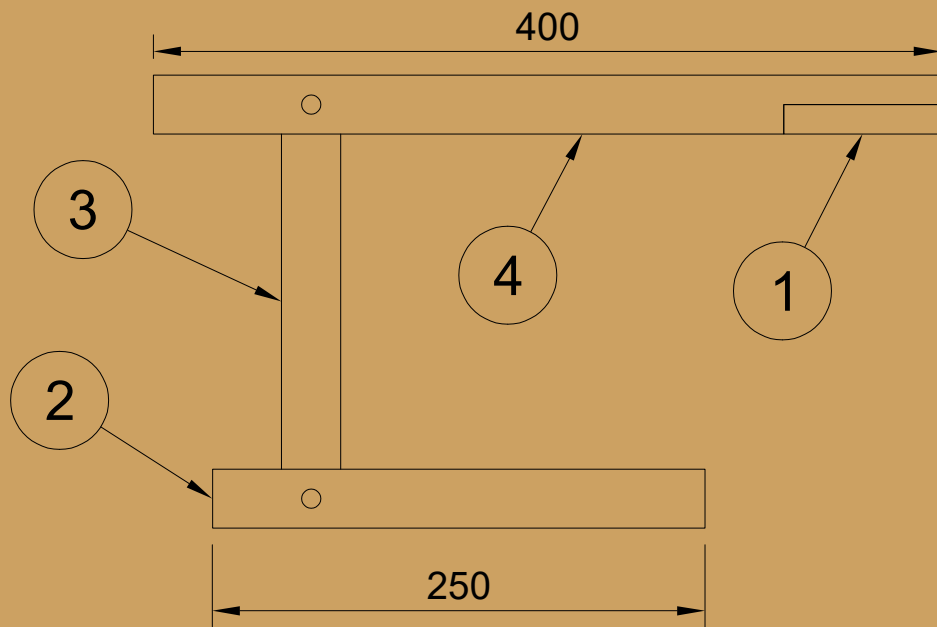


Dept.	Technical reference	Created by <b>Pistacchio Graphic</b>	Approved by
		Document type <b>Fusion 360 #8 Tutorial</b>	Document status <a href="https://bit.ly/3WpyIJW">https://bit.ly/3WpyIJW</a>
		Title <b>Cardbox</b>	DWG No.
		Rev.	Date of issue <b>25/12/2022</b>
			Sheet <b>1/1</b>



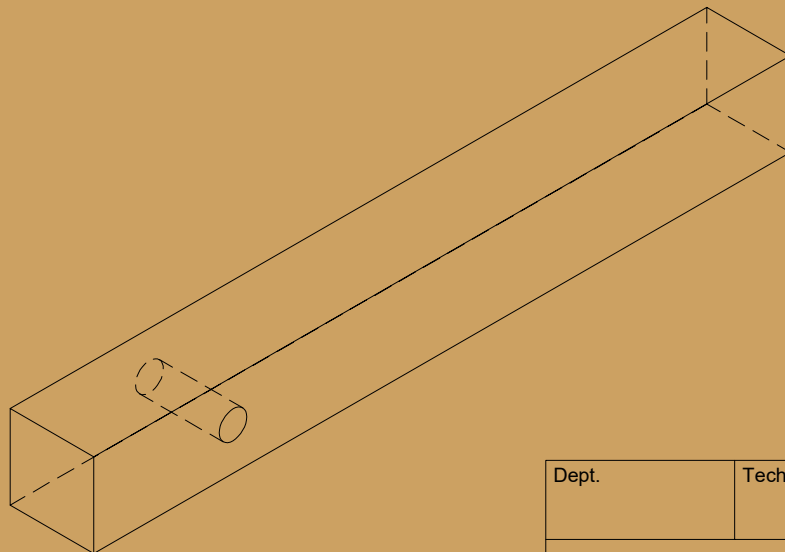
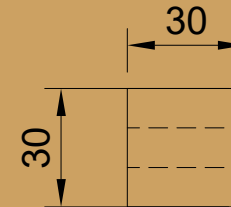
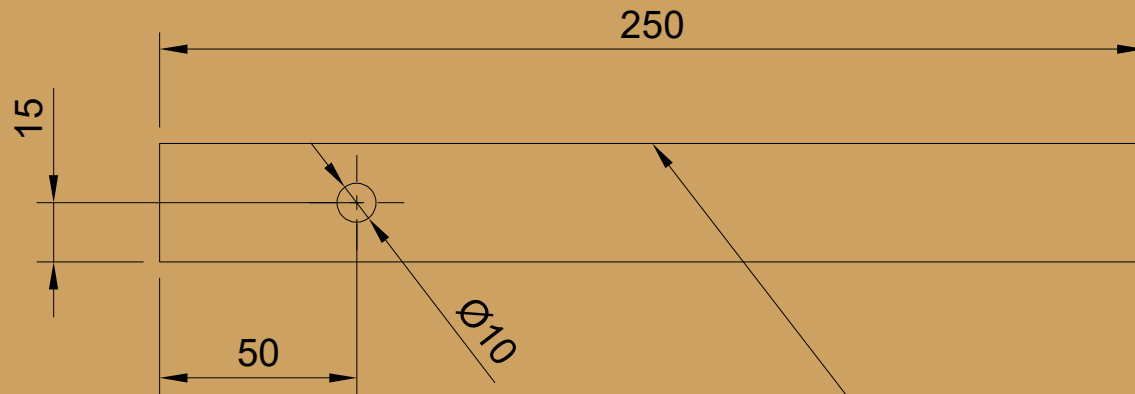


Dept.	Technical reference	Created by <b>Pistacchio Graphic</b>	Approved by	
		Document type <b>#9 Fusion 360 Tutorial</b>	Document status <a href="https://bit.ly/3QA9aCa">https://bit.ly/3QA9aCa</a>	
		Title <b>Lego Flag</b>		DWG No.
		Rev.	Date of issue <b>12/01/2022</b>	Sheet <b>1/1</b>



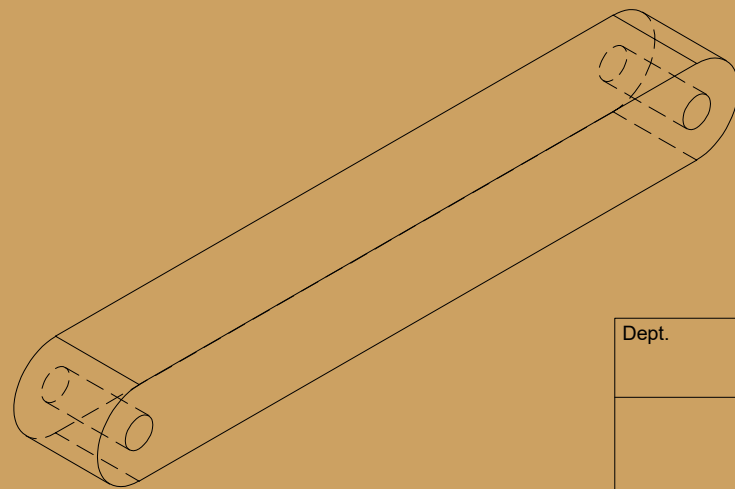
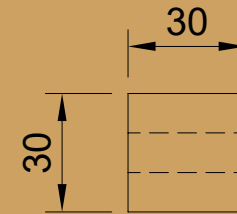
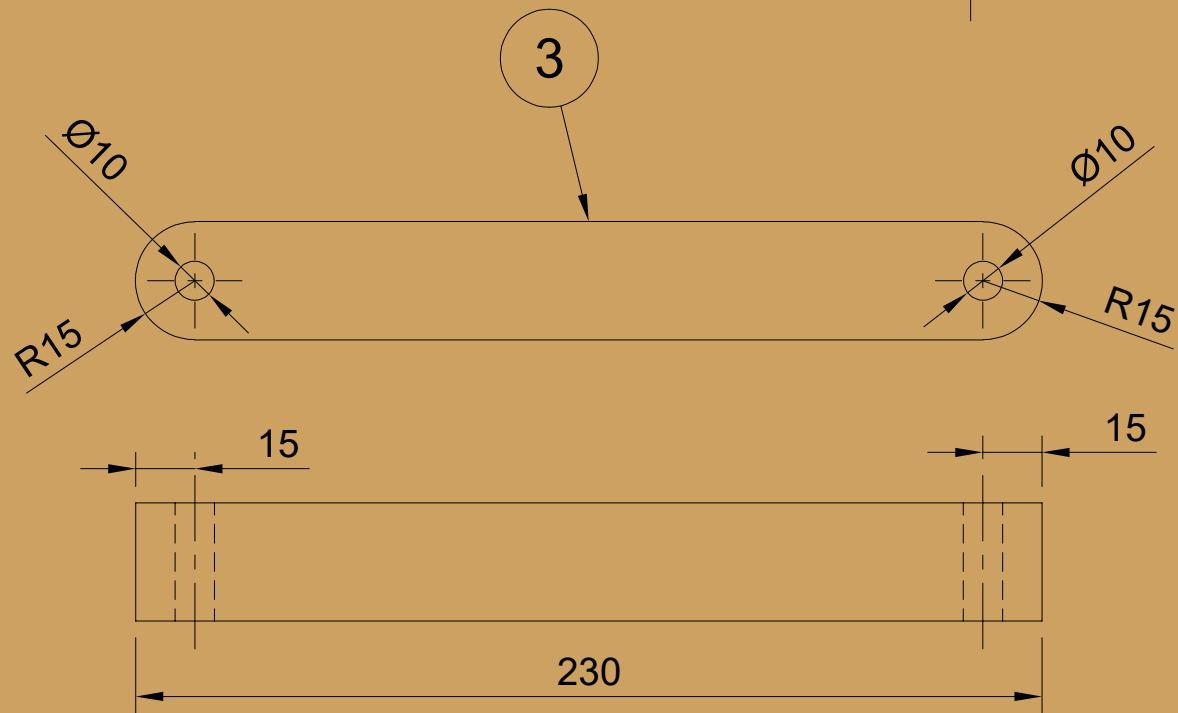
Parts List		
Item	Qty	Part Number
1	1	LED
2	2	Base
3	1	Haste
4	2	Arm

Dept.	Technical reference	Created by <b>Pistacchio Graphic</b>	Approved by
		Document type <b>10# Fusion 360</b>	Document status <a href="https://bit.ly/3GR895D">https://bit.ly/3GR895D</a>
		Title <b>Table Lamp</b>	DWG No.
Rev.	Date of issue <b>09/01/2022</b>	Sheet <b>1/1</b>	



Parts List		
Item	Qty	Part Number
2	1	Base

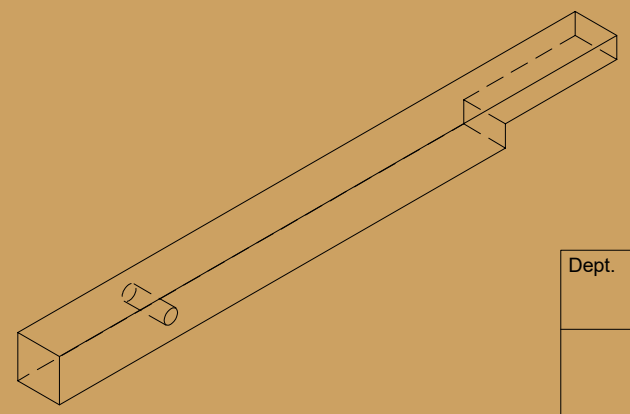
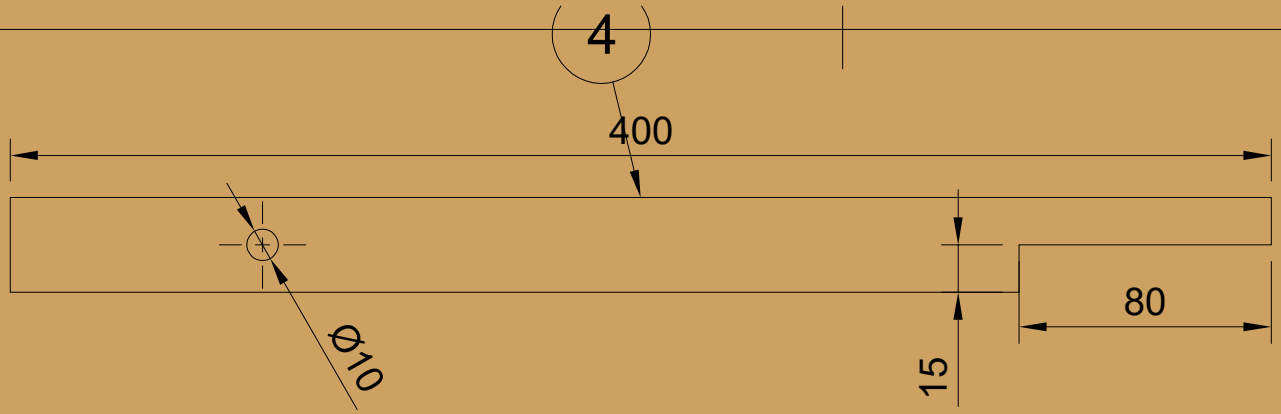
Dept.	Technical reference	Created by <b>Pistacchio Graphic</b>	Approved by	
		Document type <b>#10 Fusion 360</b>	Document status <b>Table Lamp</b>	
		Title <b>Base</b>	DWG No.	
		Rev.	Date of issue <b>09/01/2022</b>	Sheet <b>1/1</b>



Parts List		
Item	Qty	Part Number
3	1	Haste

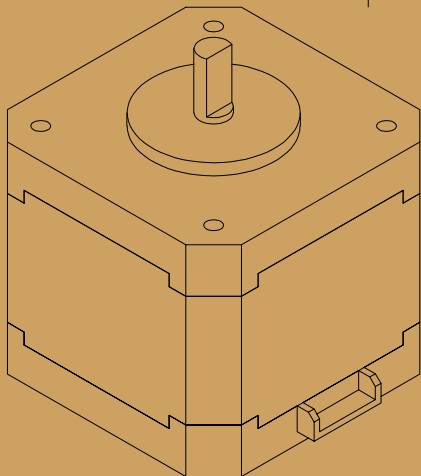
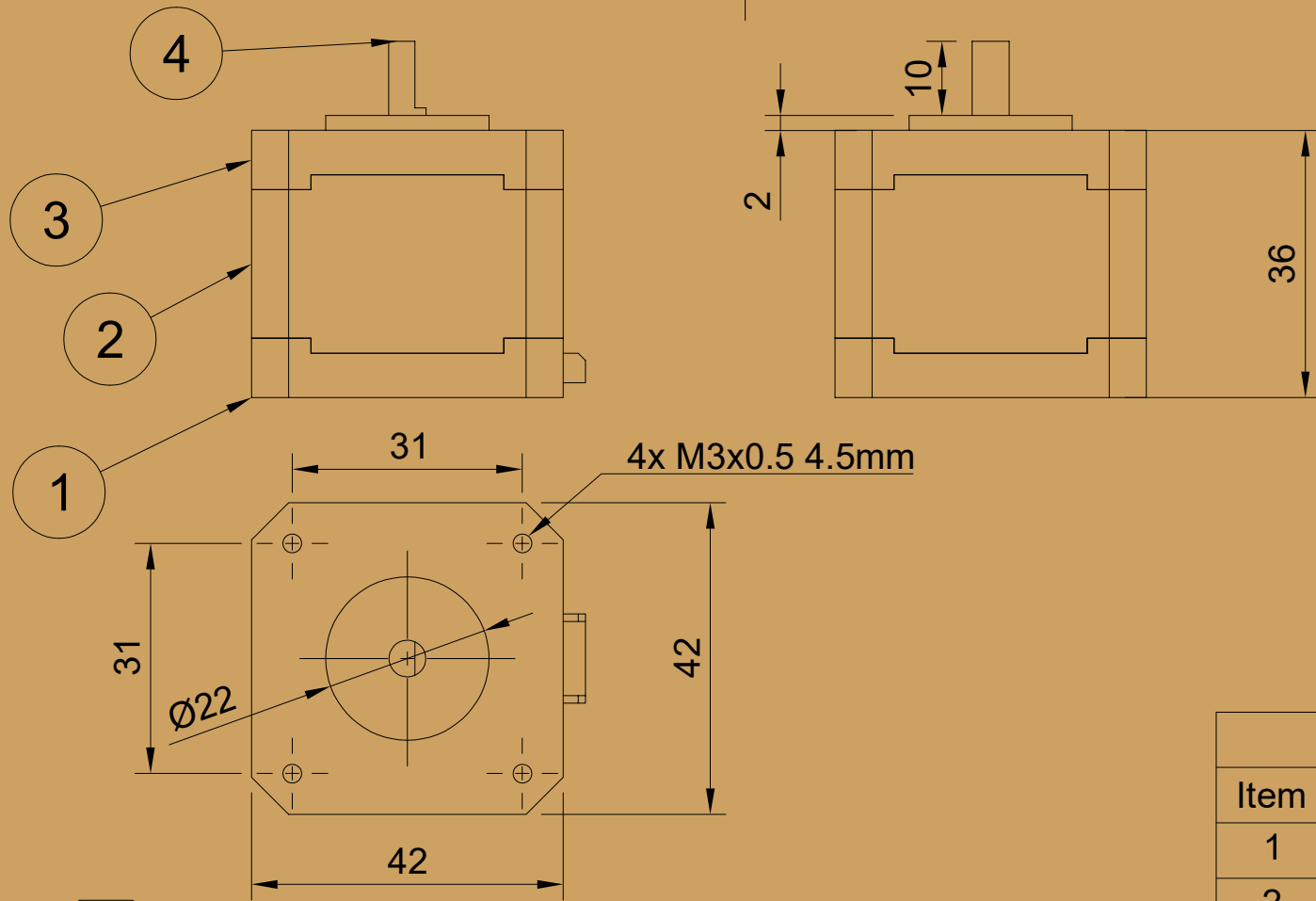
Dept.	Technical reference	Created by <b>Pistacchio Graphic</b>	Approved by	
		Document type <b>10# Fusion 360</b>	Document status <b>Table Lamp</b>	
		Title <b>Haste</b>	DWG No.	
		Rev.	Date of issue	Sheet <b>1/1</b>





Parts List		
Item	Qty	Part Number
4	1	Arm

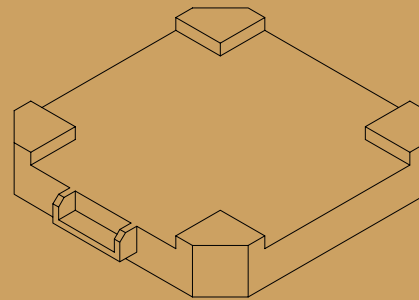
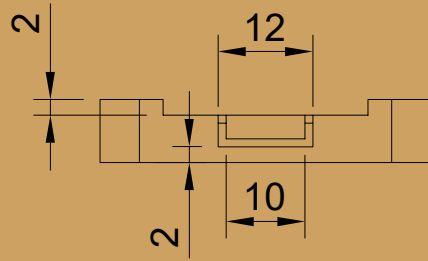
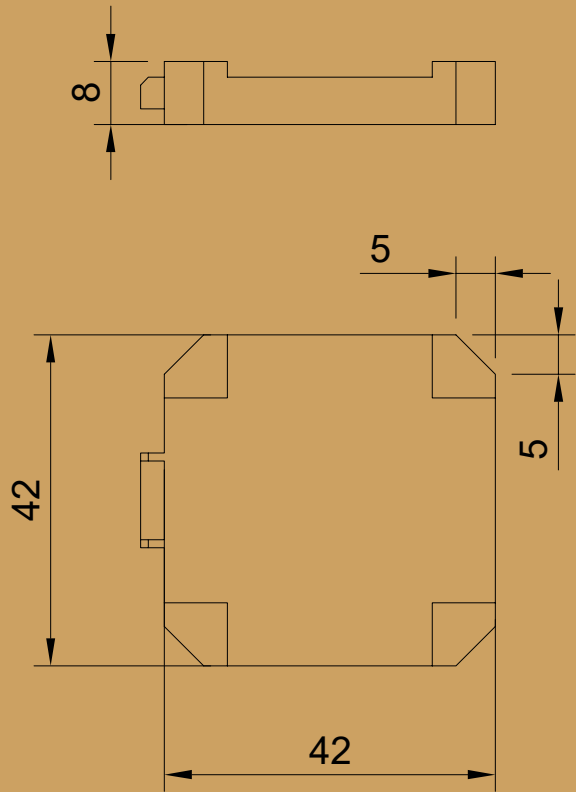
Dept.	Technical reference	Created by <b>Pistacchio Graphic</b>	Approved by	
		Document type <b>#10 Fusion 360</b>	Document status <b>Table Lamp</b>	
		Title <b>Arm</b>	DWG No.	
		Rev.	Date of issue <b>09/01/2022</b>	Sheet <b>1/1</b>



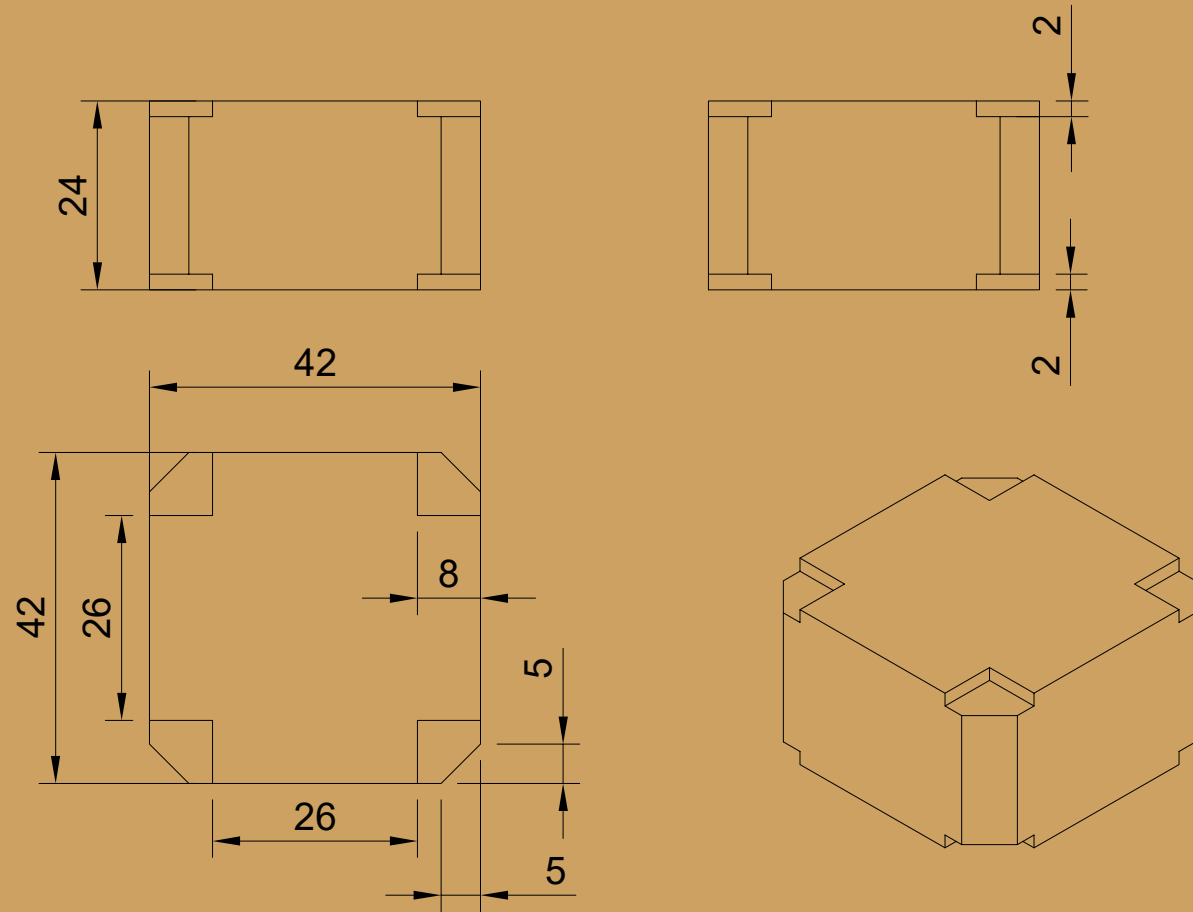
Parts List		
Item	Qty	Part Number
1	1	Base
2	1	Middle
3	1	Top
4	1	Axis

Dept.	Technical reference	Created by <b>Pistacchio Graphic</b>	Approved by
		Document type <b>#11 Fusion 360 Tutorial</b>	Document status
		Title <b>NEMA 17 Motor</b>	DWG No.
Rev.	Date of issue <b>12/01/2023</b>	Sheet <b>1/1</b>	

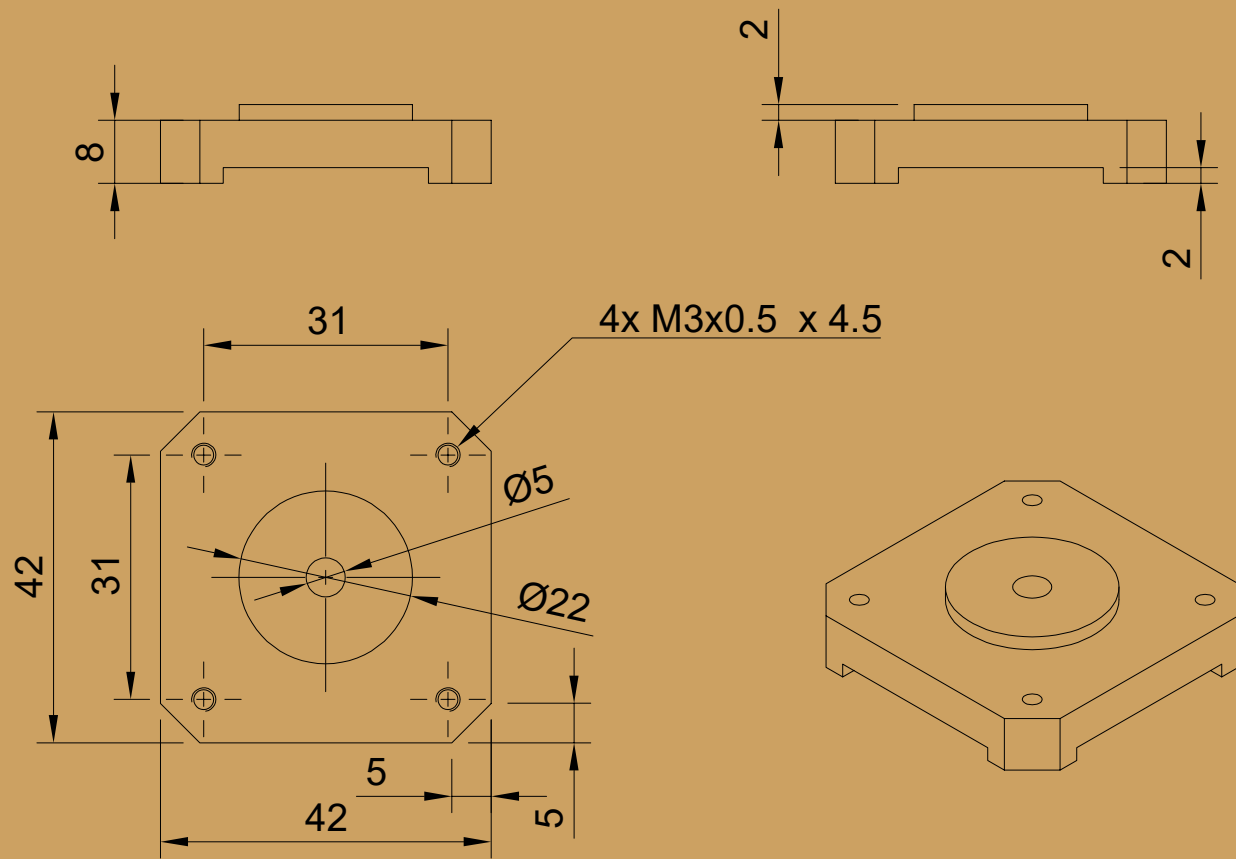




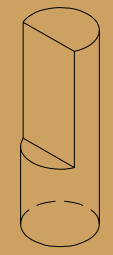
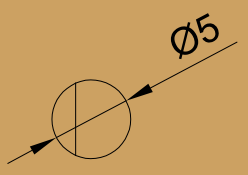
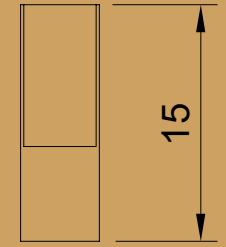
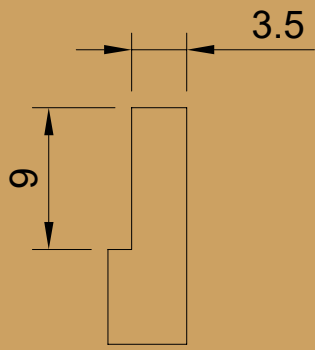
Dept.	Technical reference	Created by <b>Pistacchio Graphic</b>	Approved by	
		Document type <b>#11 Fusion 360 Tutorial</b>	Document status	
		Title <b>Base</b>	DWG No.	
		Rev.	Date of issue <b>12/01/2023</b>	Sheet <b>1/1</b>



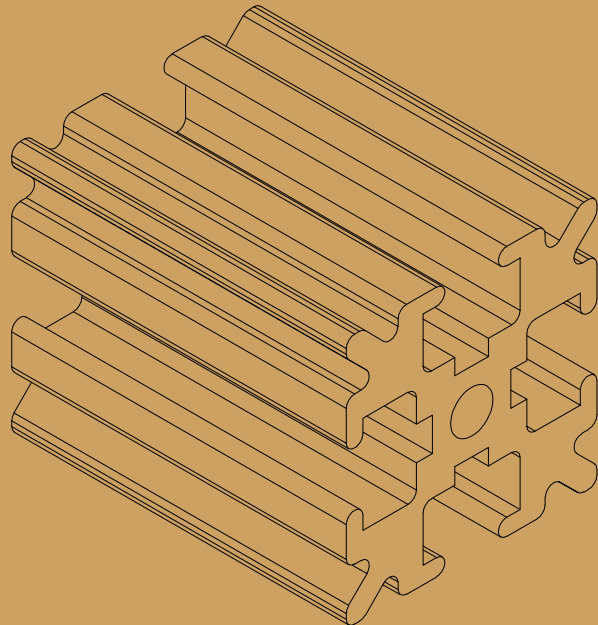
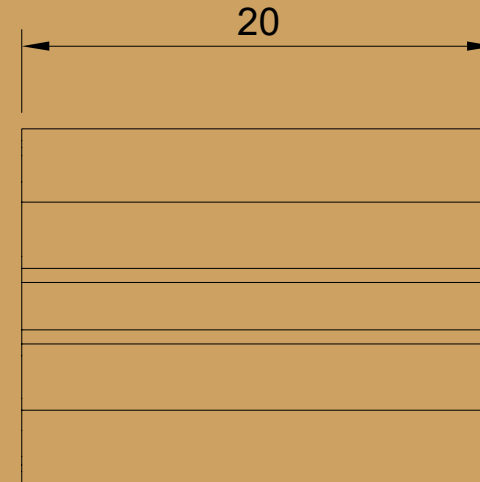
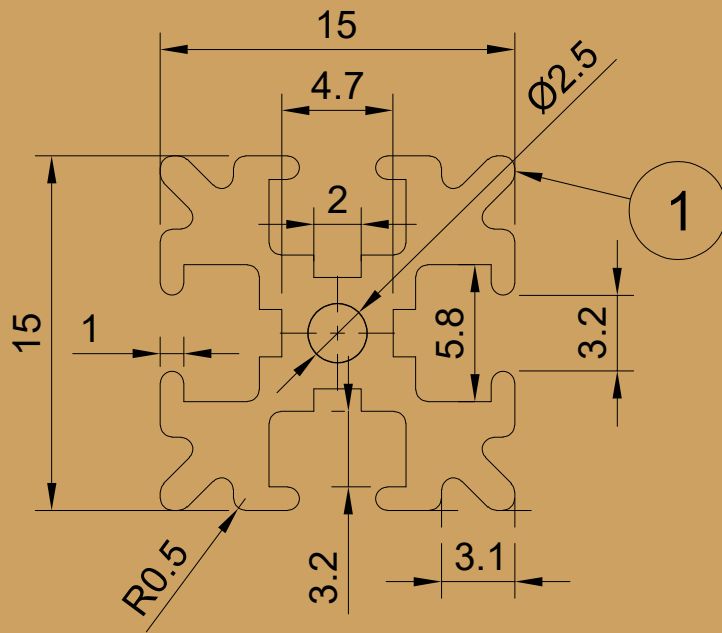
Dept.	Technical reference	Created by <b>Pistacchio Graphic</b>	Approved by	
		Document type <b>#11 Fusion 360 Tutorial</b>	Document status	
		Title <b>Middle</b>	DWG No.	
		Rev.	Date of issue <b>12/01/2023</b>	Sheet <b>1/1</b>



Dept.	Technical reference	Created by <b>Pistacchio Graphic</b>	Approved by	
		Document type <b>#11 Fusion 360 Tutorial</b>	Document status	
		Title <b>Top</b>	DWG No.	
		Rev.	Date of issue <b>12/01/2023</b>	Sheet <b>1/1</b>

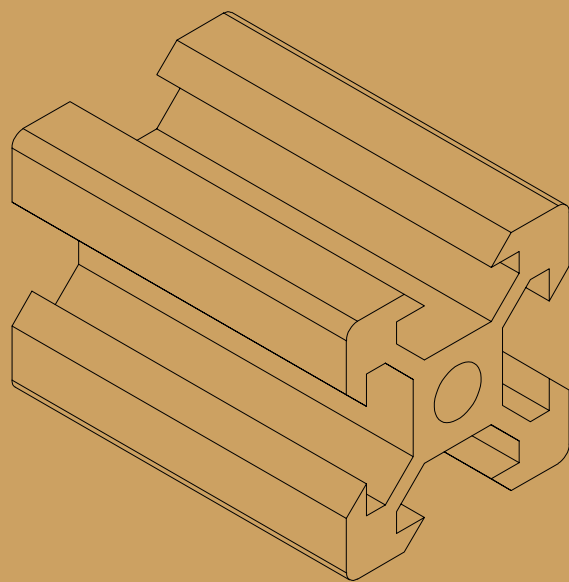
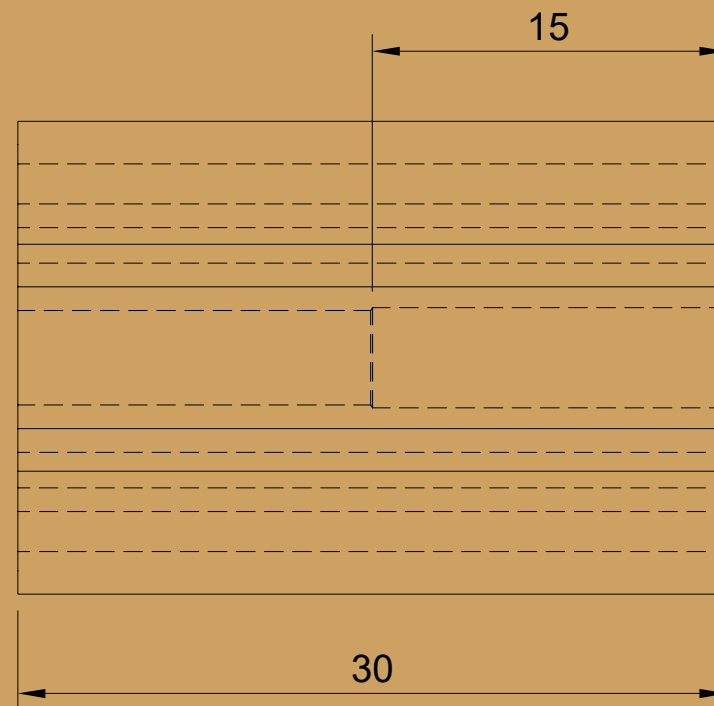
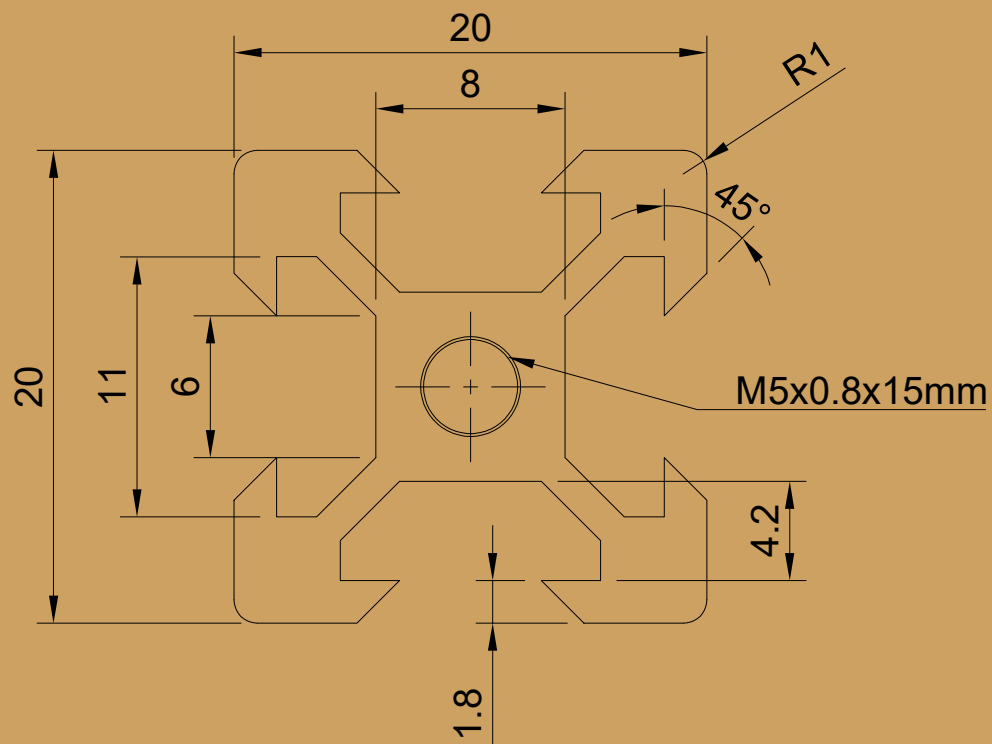


Dept.	Technical reference	Created by <b>Pistacchio Graphic</b>	Approved by	
		Document type <b>#11 Fusion 360 Tutorial</b>	Document status	
		Title <b>Axis</b>	DWG No.	
		Rev.	Date of issue <b>12/01/2023</b>	Sheet <b>1/1</b>



Parts List		
Item	Qty	Part Number
1	1	Profile

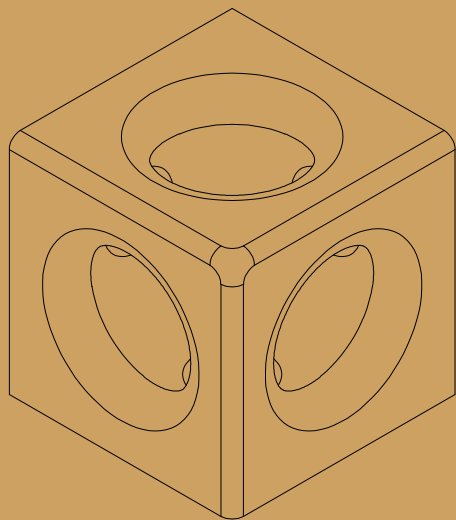
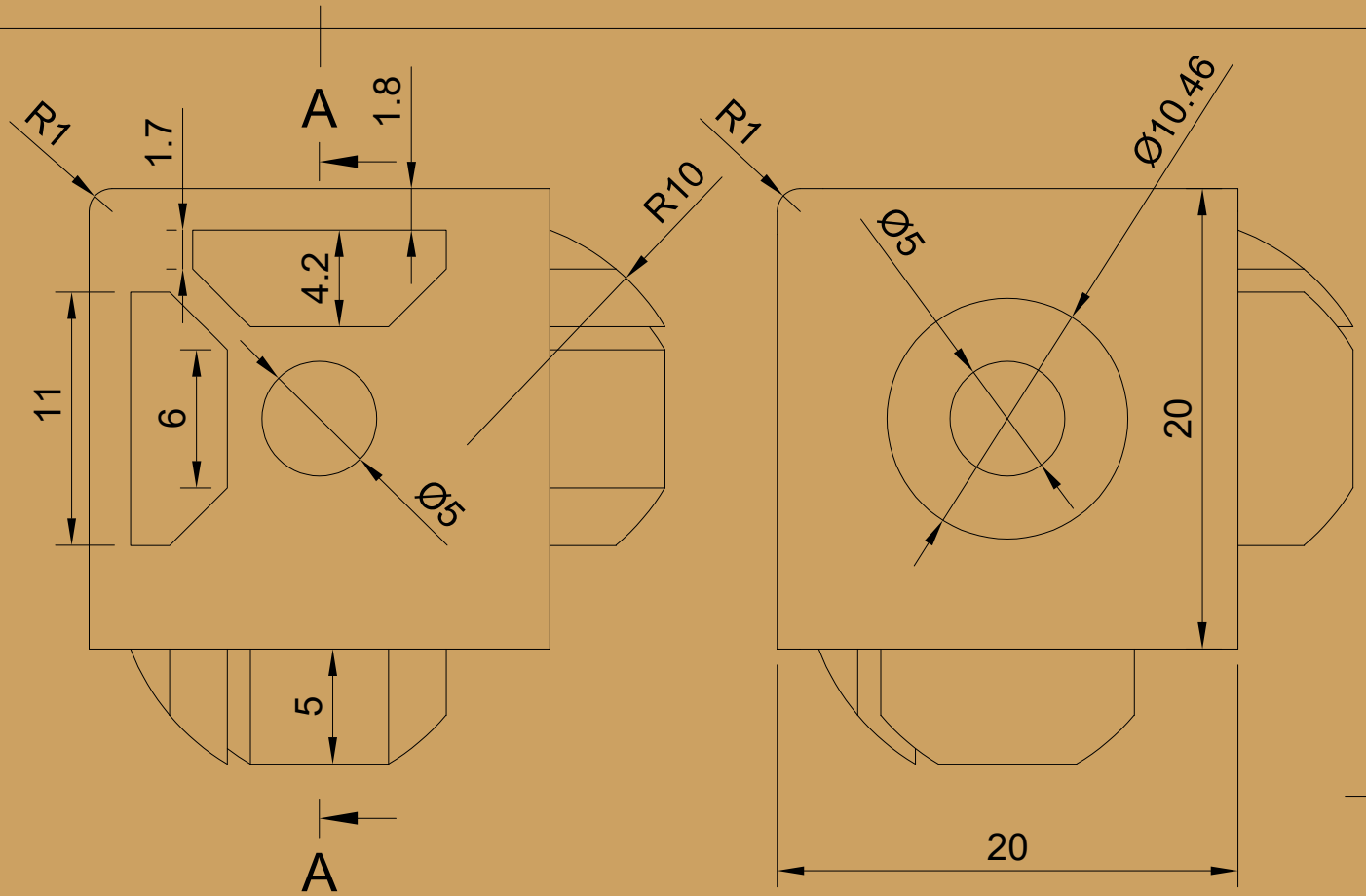
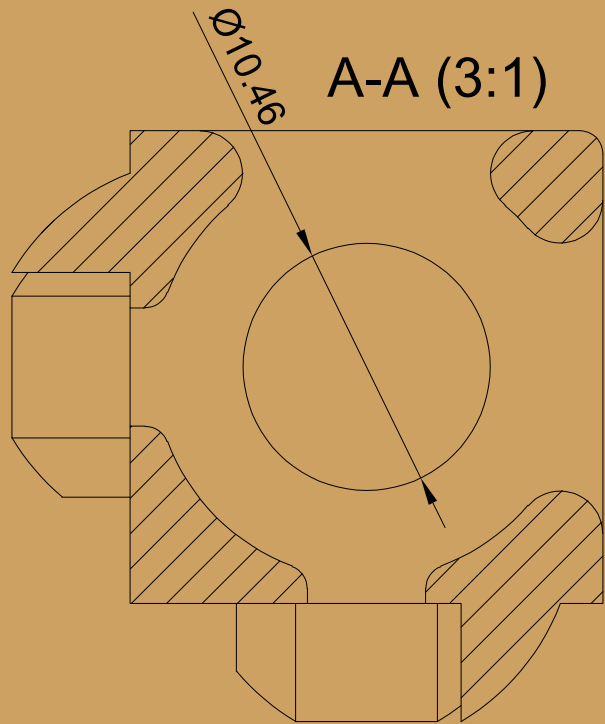
Dept.	Technical reference	Created by <b>Pistacchio Graphic</b>	Approved by
		Document type <b>#12 Fusion 360</b>	Document status <a href="https://bit.ly/3QZxX2P">https://bit.ly/3QZxX2P</a>
		Title <b>Profile 15x15</b>	DWG No.
Rev.	Date of issue <b>18/01/2023</b>	Sheet <b>1/1</b>	



Dept.	Technical reference	Created by <b>Pistacchio Graphic</b>	Approved by	
		Document type <b>#13 Fusion 360</b>	Document status <a href="https://bit.ly/3IXdGZT">https://bit.ly/3IXdGZT</a>	
		Title <b>Profile 20x20mm</b>	DWG No.	
			Rev.	Date of issue <b>18/01/2023</b>
				Sheet <b>1/1</b>

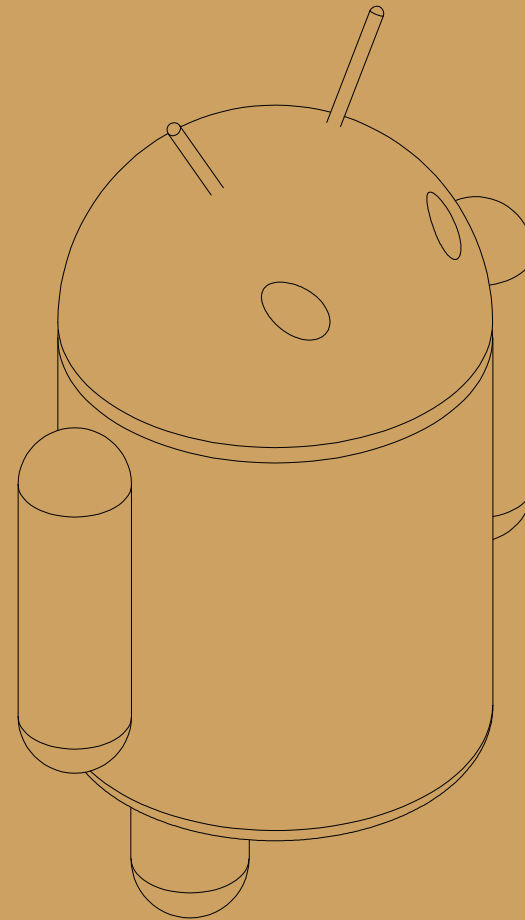
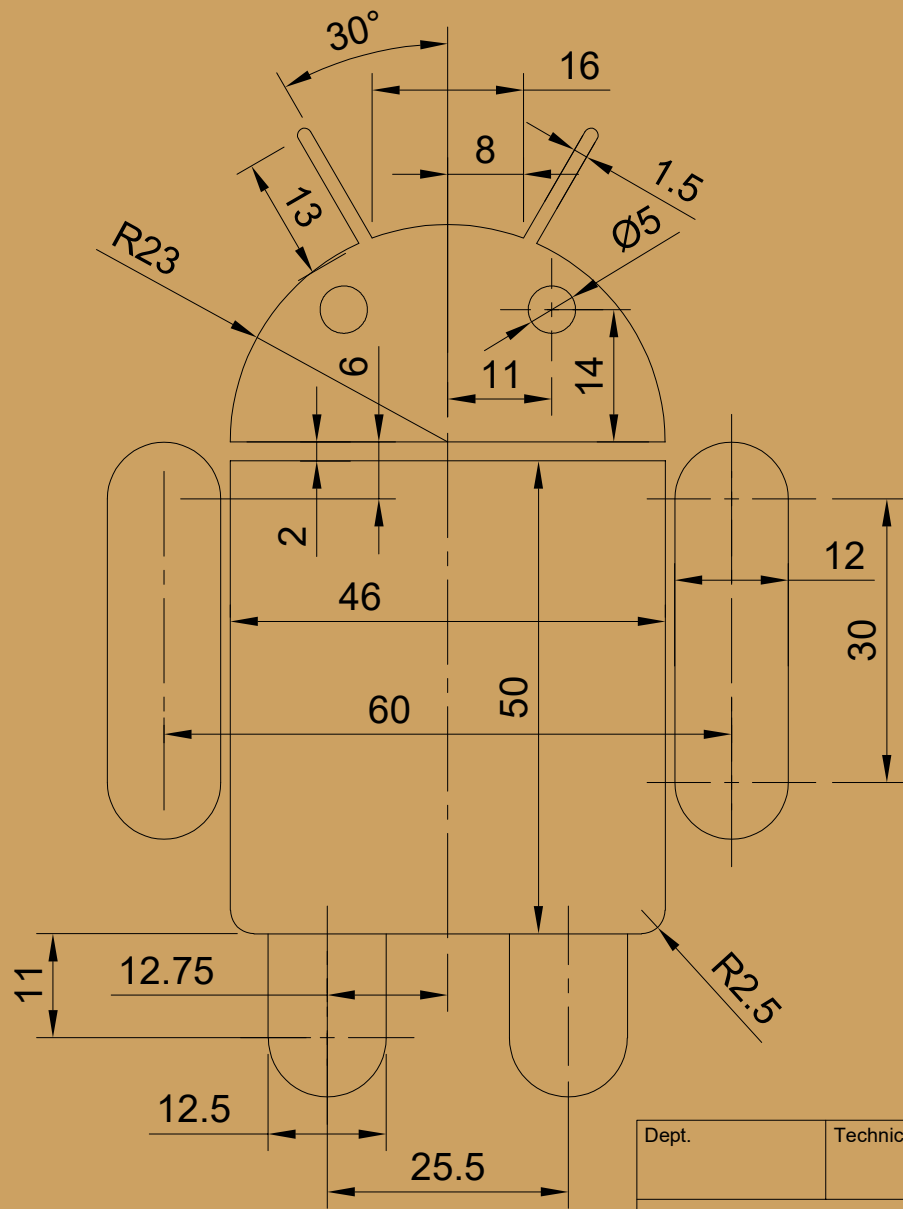






Dept.	Technical reference	Created by <b>Pistacchio Graphic</b>	Approved by
		Document type <b>#14 Fusion 360</b>	Document status <a href="https://bit.ly/3QQA1bY">https://bit.ly/3QQA1bY</a>
		Title <b>Corner Profile</b>	DWG No.
		Rev.	Date of issue <b>18/01/2023</b>
			Sheet <b>1/1</b>





Dept.	Technical reference	Created by <b>Pistacchio Graphic</b>	Approved by
		Document type <b>Fusion 360 #15</b>	Document status <a href="https://bit.ly/3WDeiqH">https://bit.ly/3WDeiqH</a>
		Title <b>Android 3D</b>	DWG No.
		Rev.	Date of issue <b>24/01/2023</b>
			Sheet <b>1/1</b>





