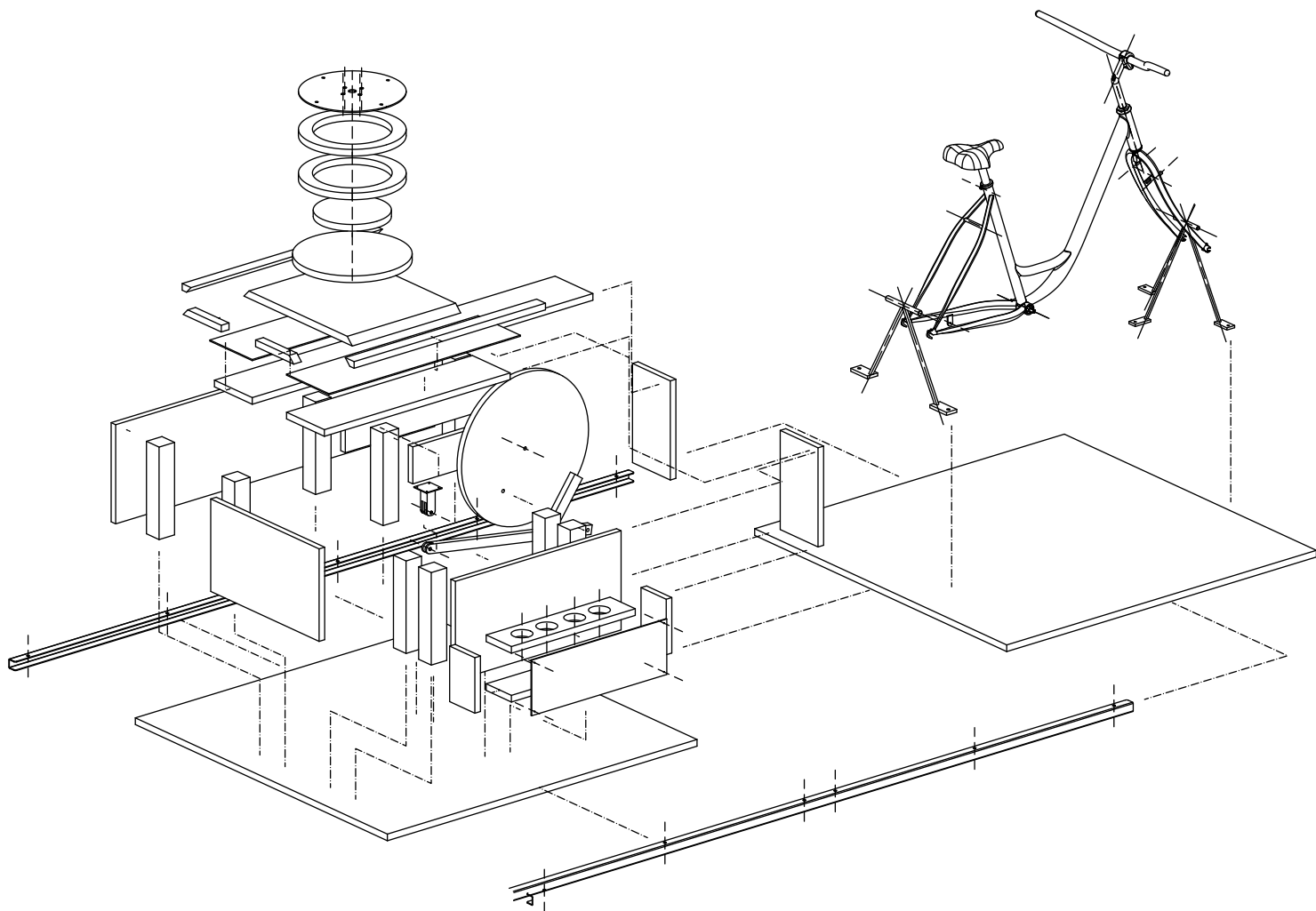
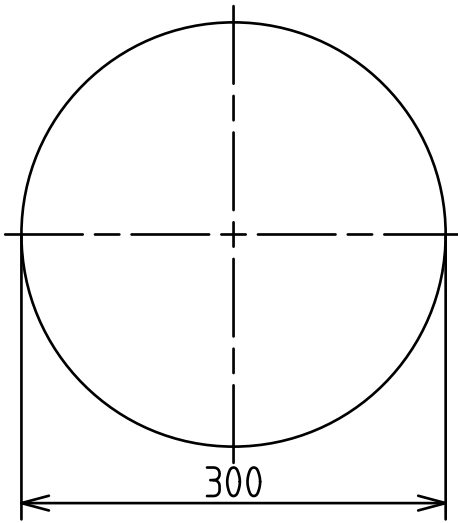
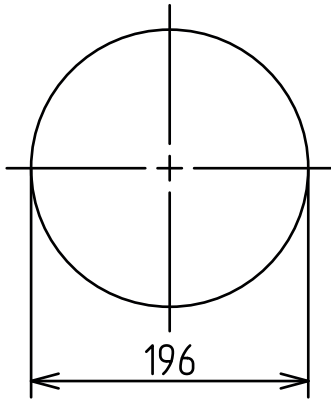


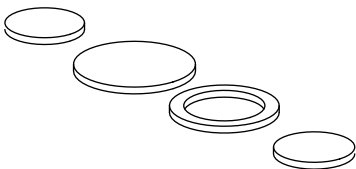
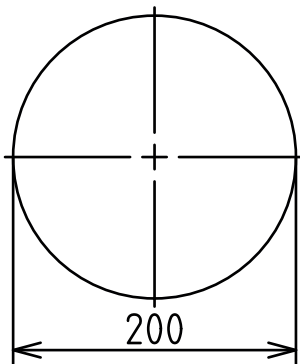
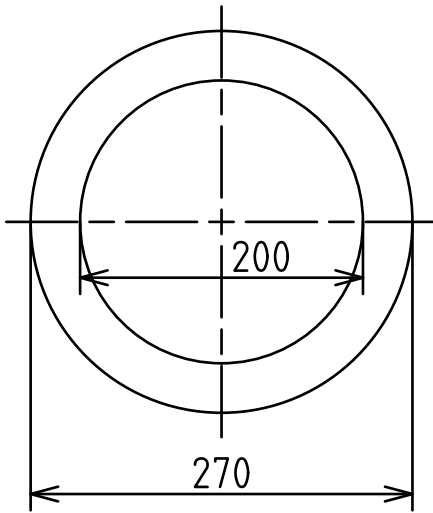
# Technical Drawings



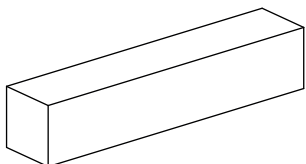
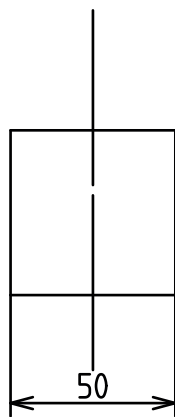
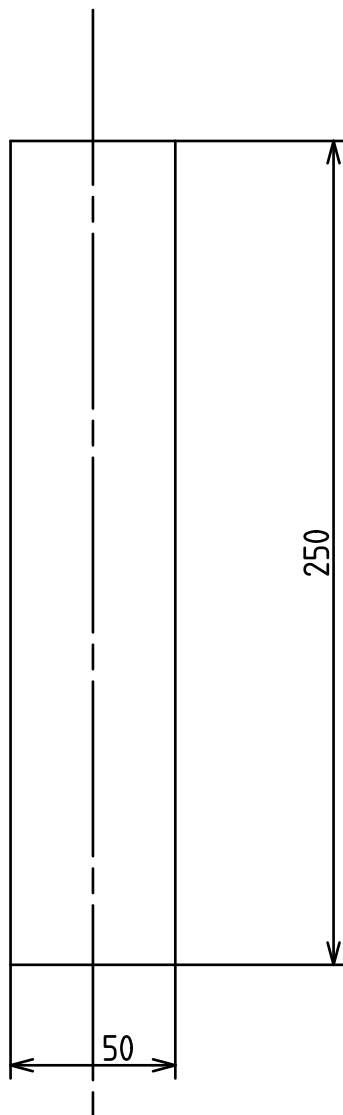
Thickness 18



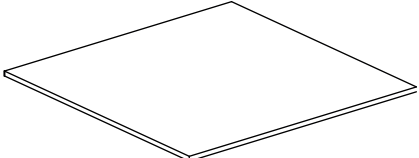
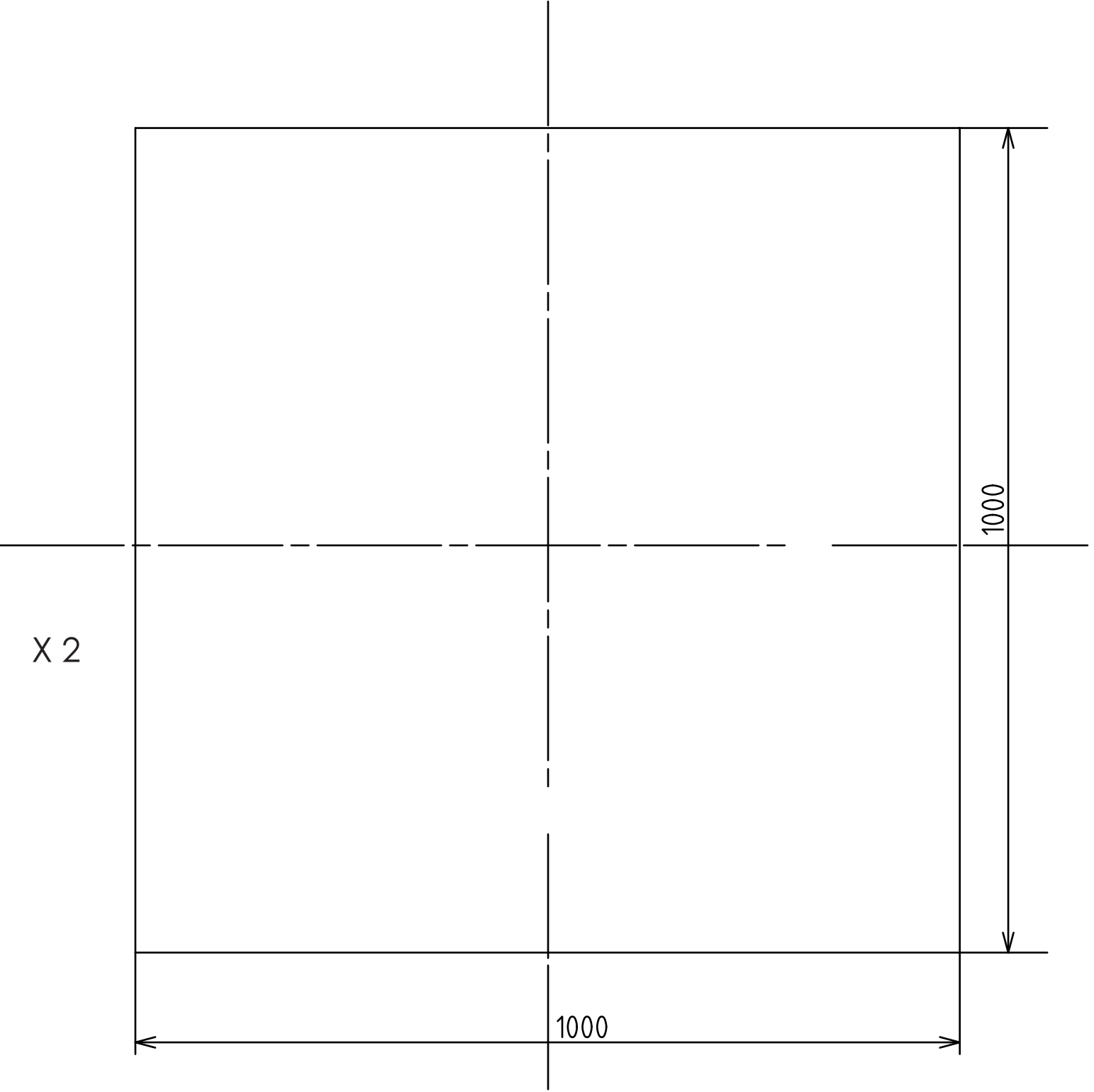
X 2



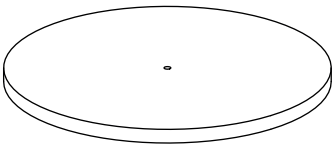
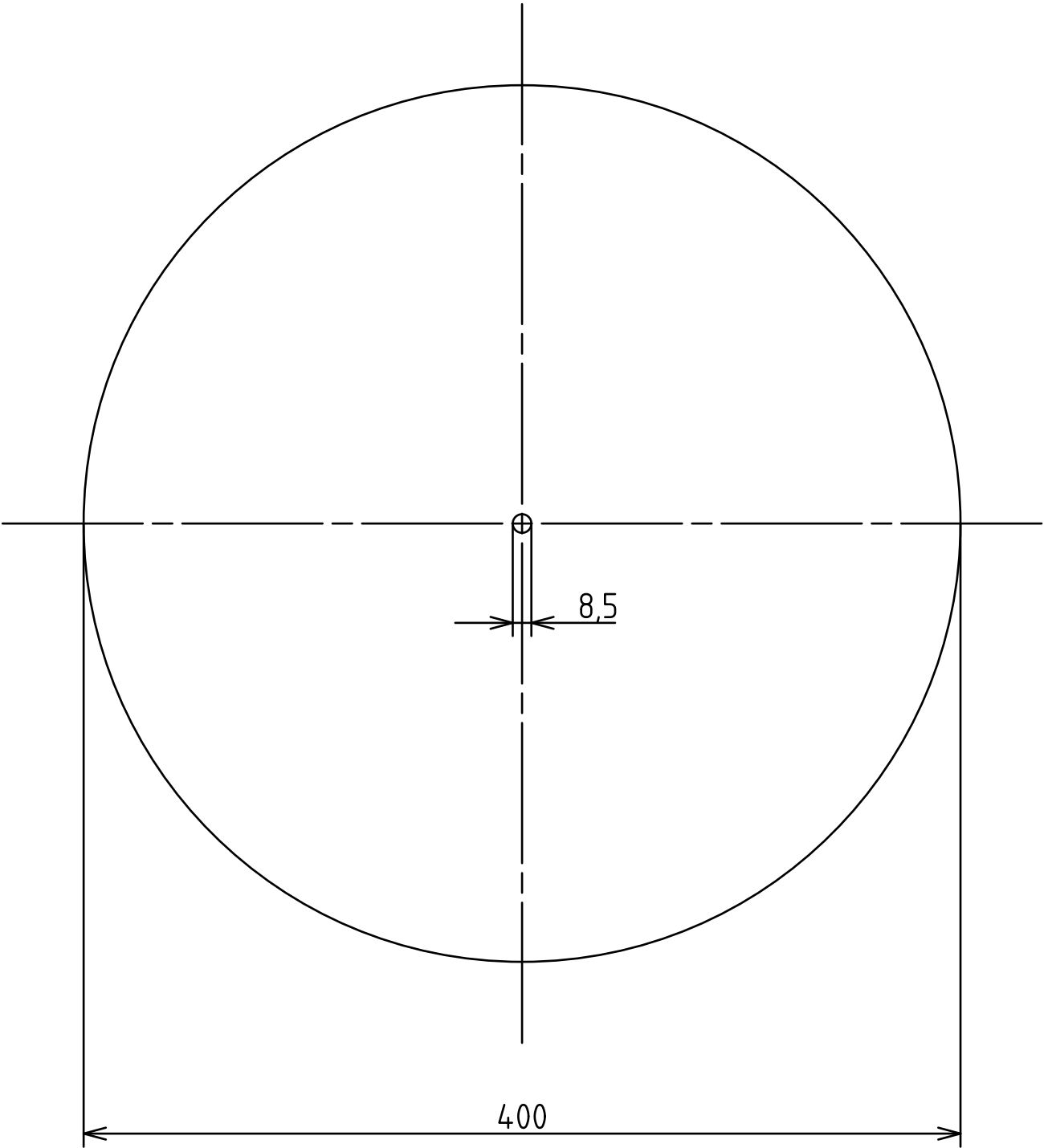
X 12



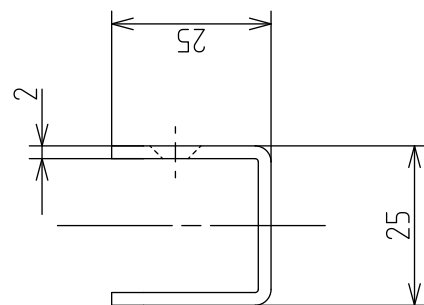
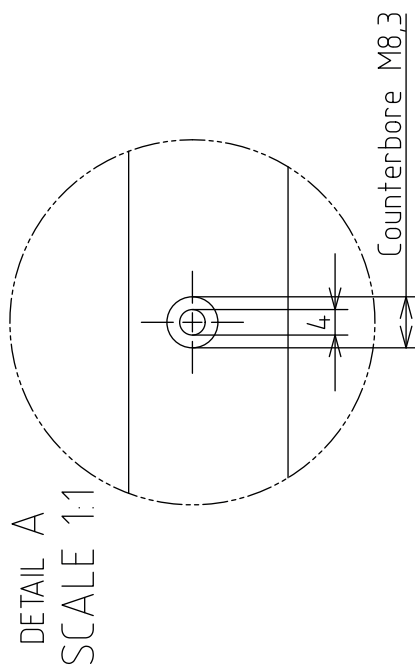
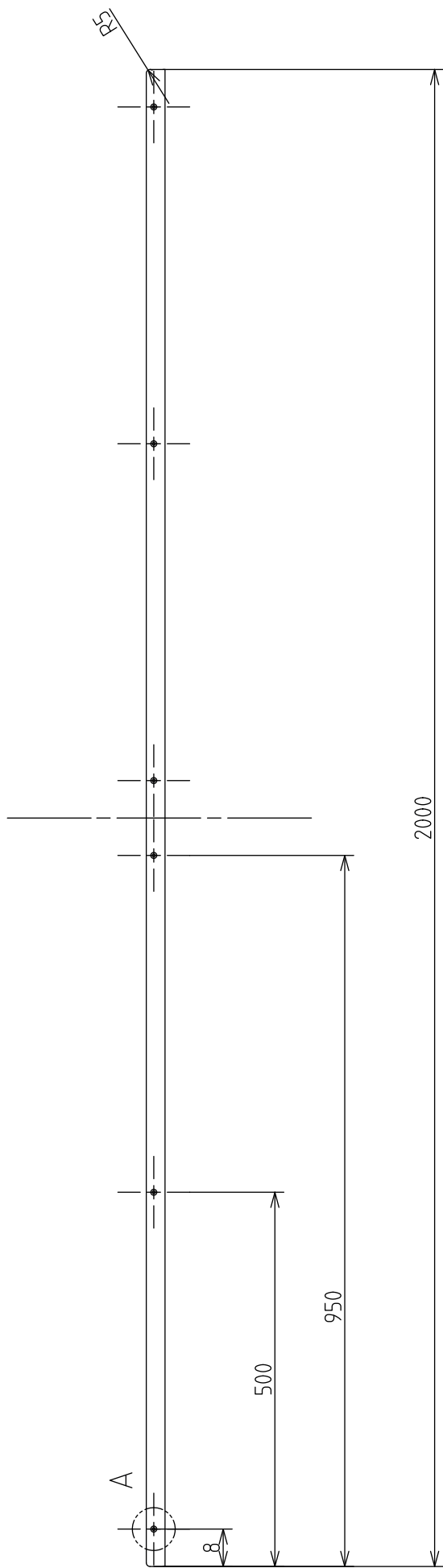
Thickness 18



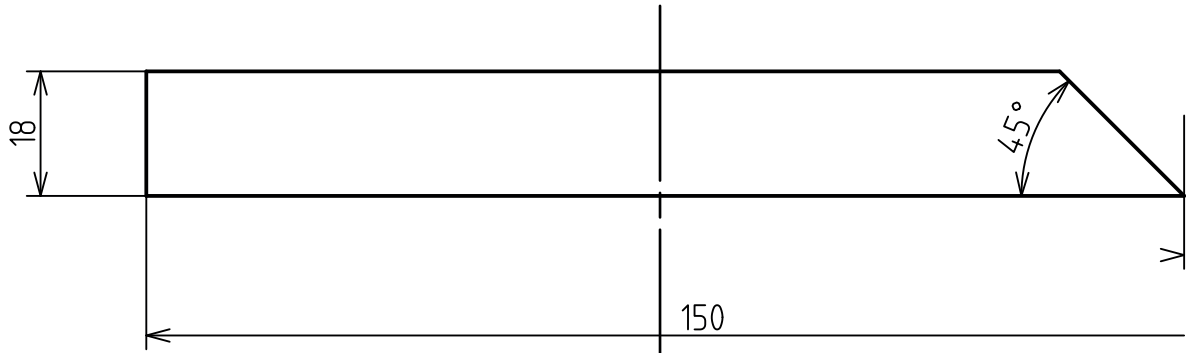
Thickness 18



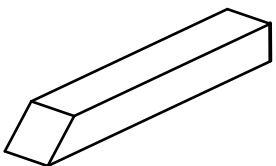
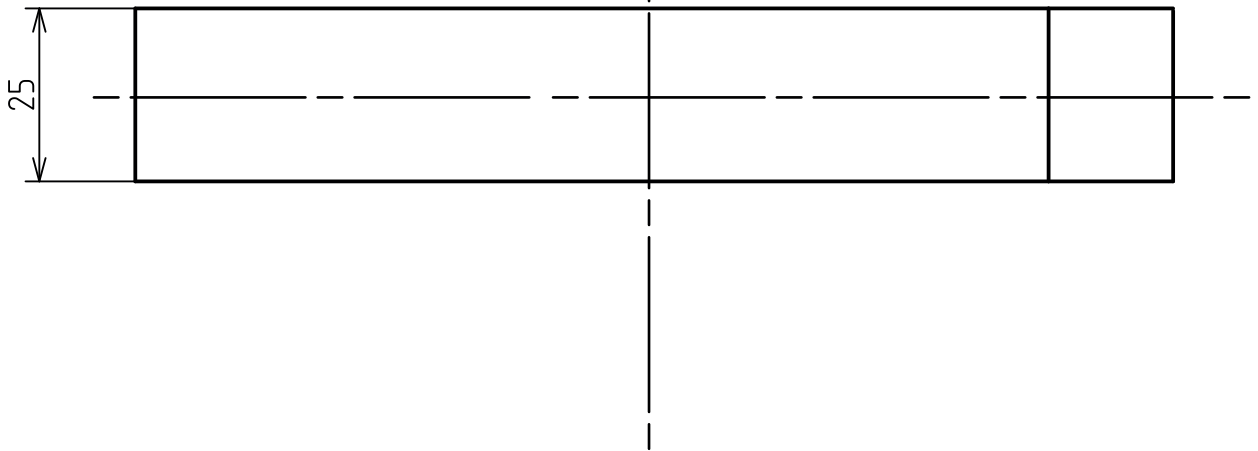
# U - Profile



Thickness 18

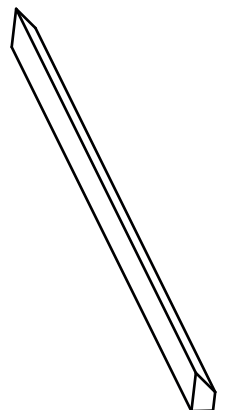
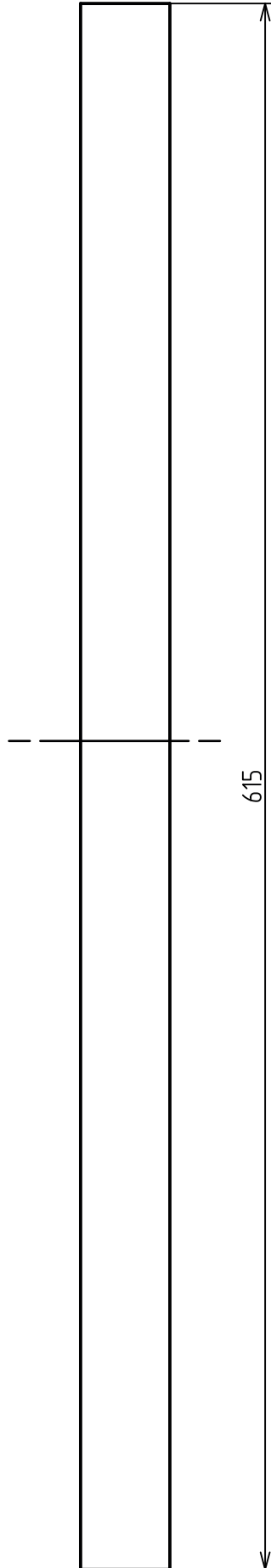
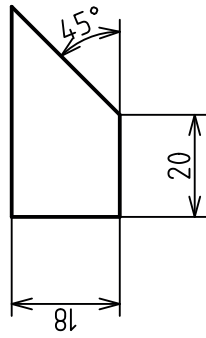


X 2



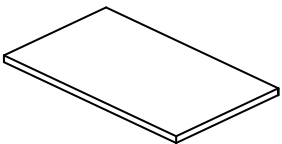
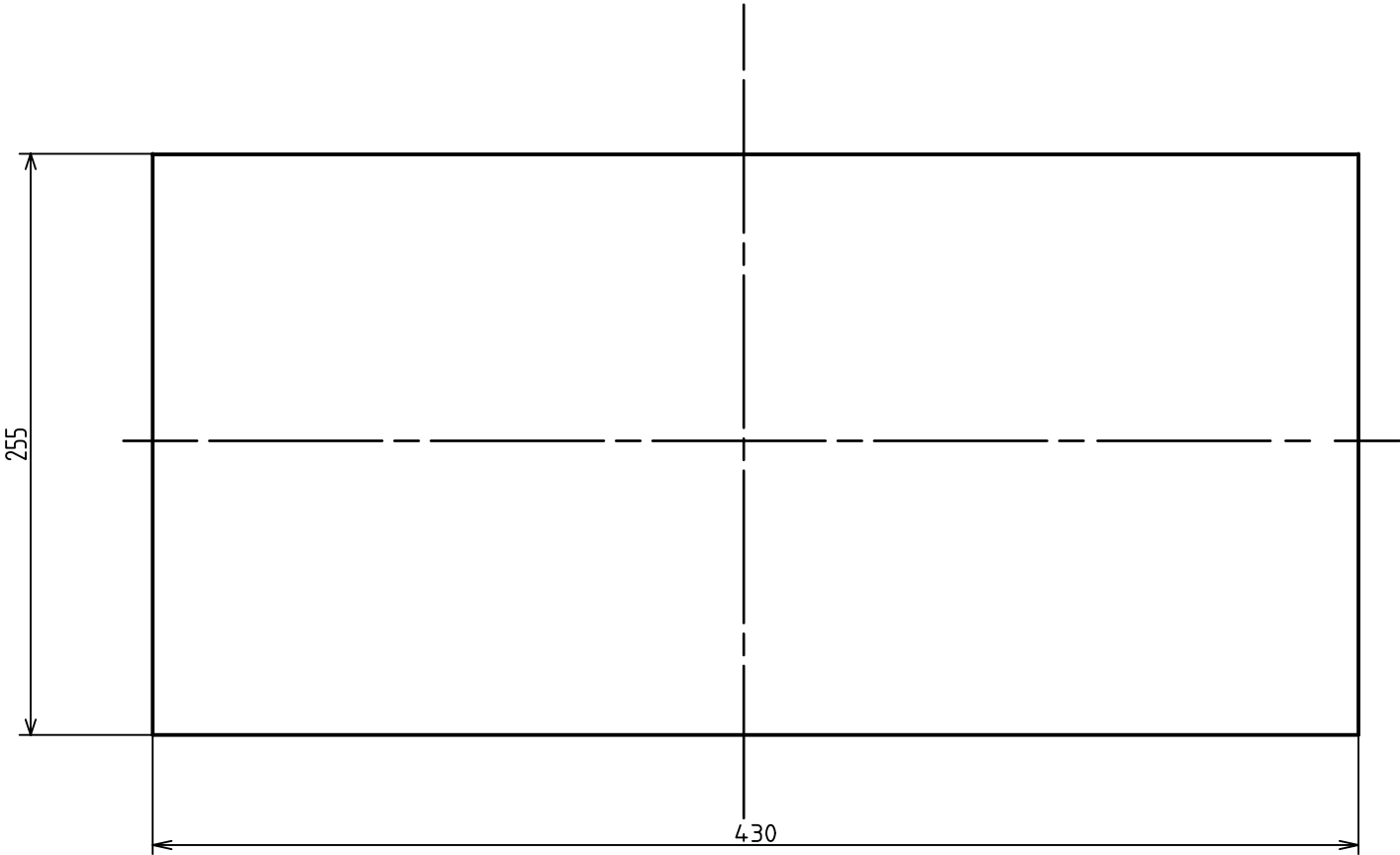
Thickness 18

X 2

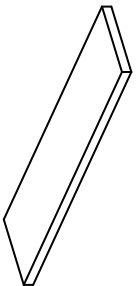
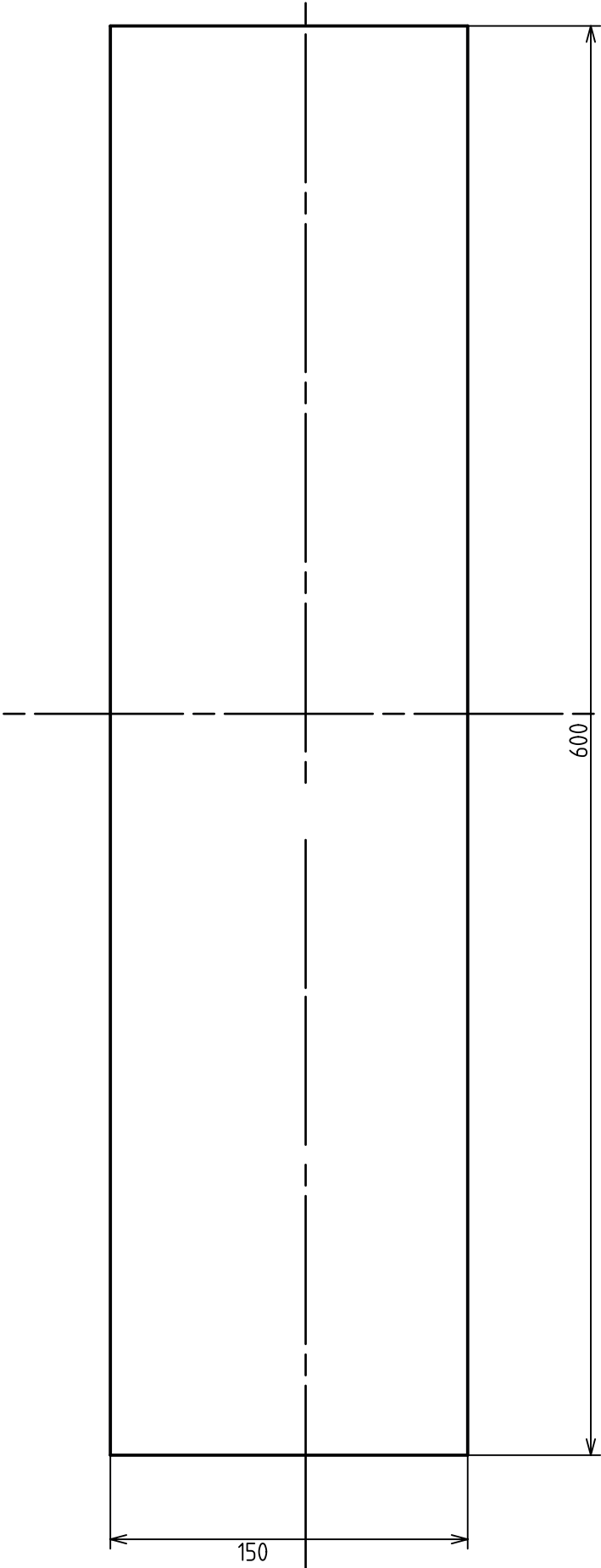




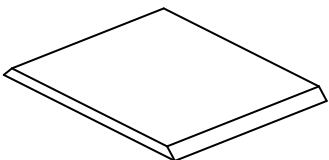
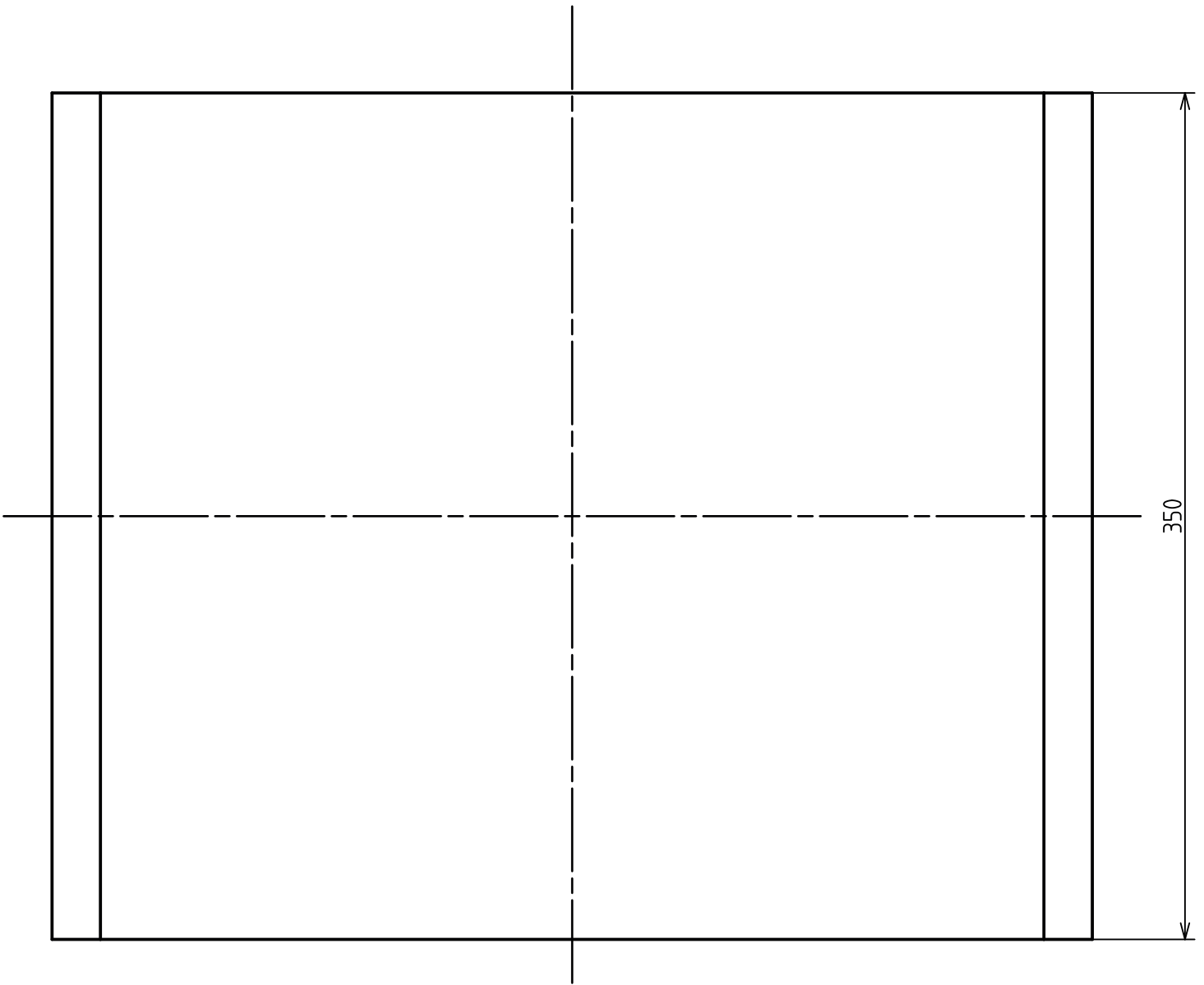
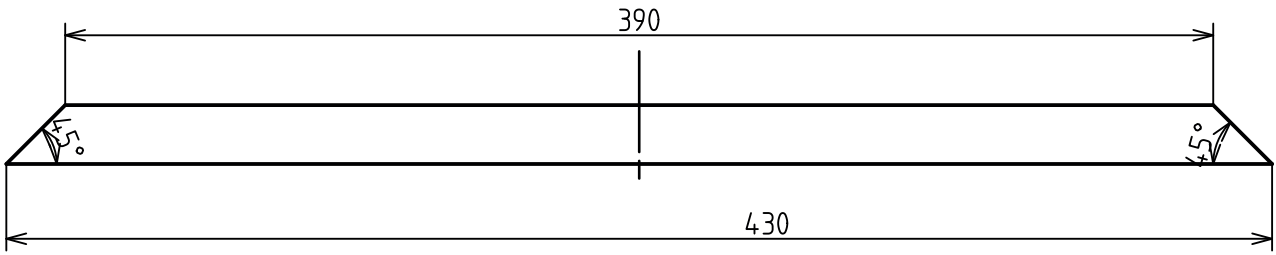
Thickness 18



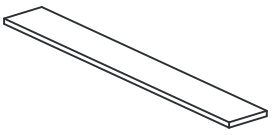
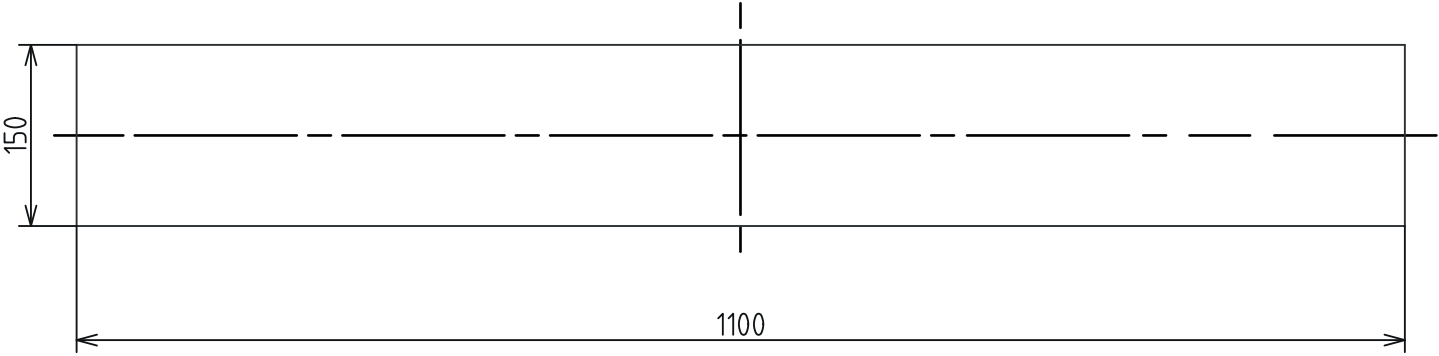
Thickness 18



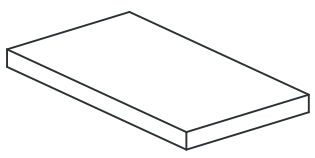
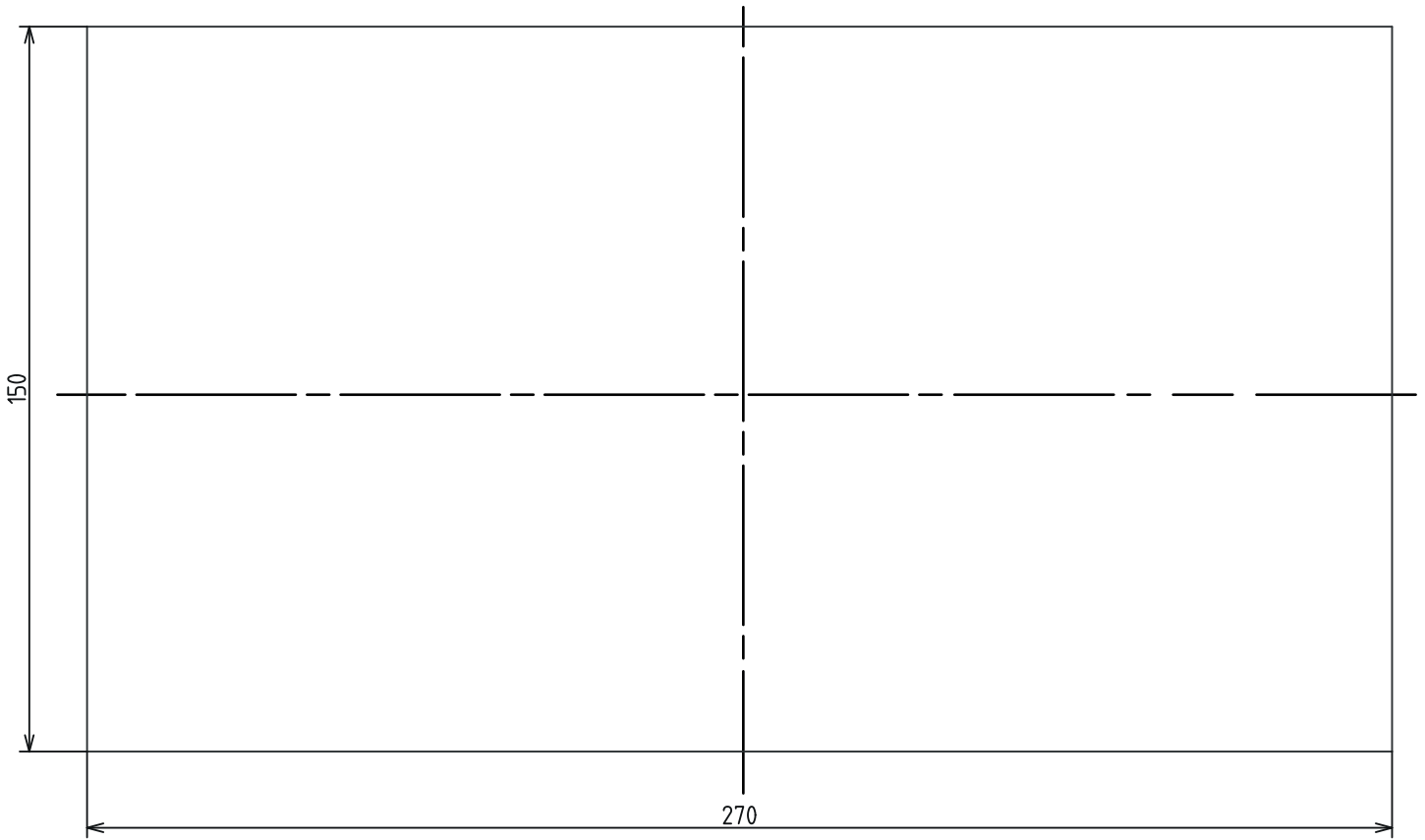
Thickness 18



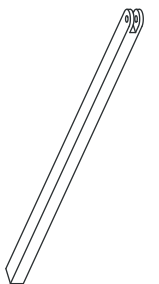
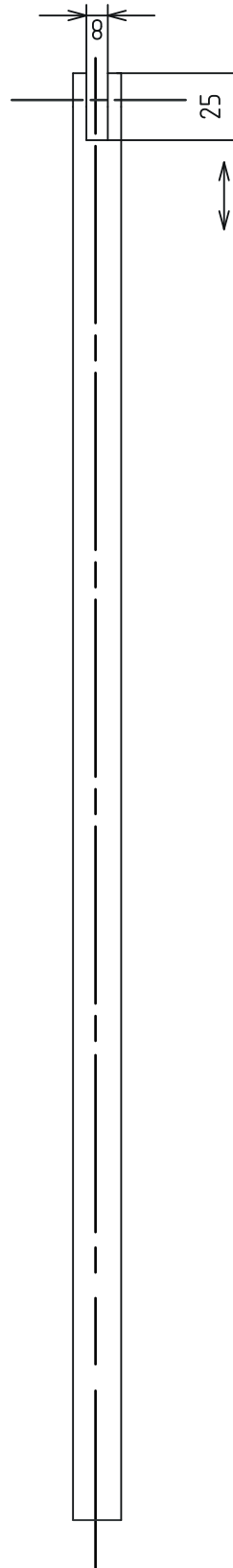
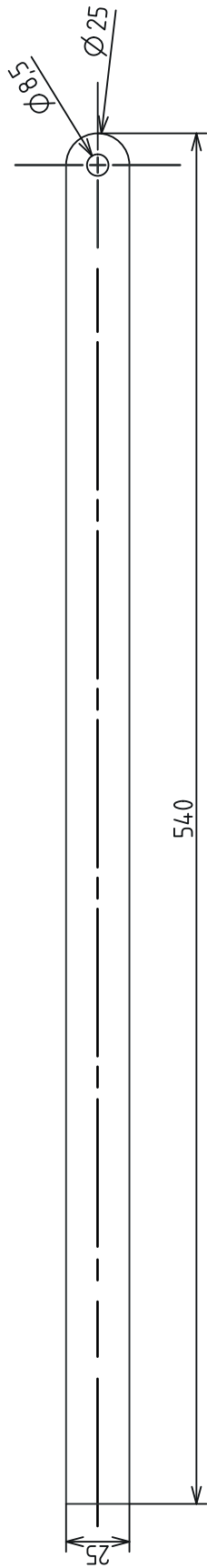
Thickness 18



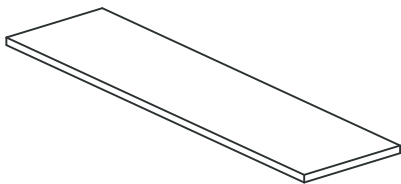
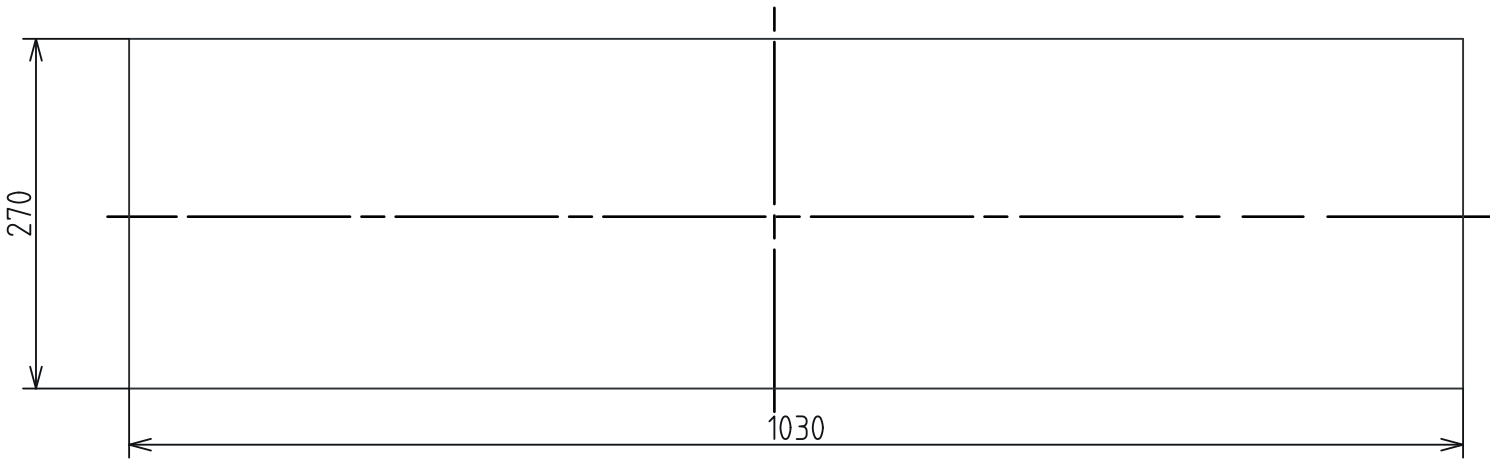
Thickness 18



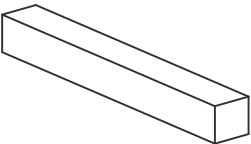
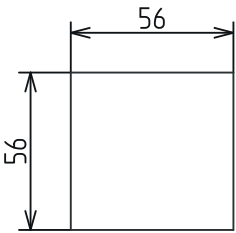
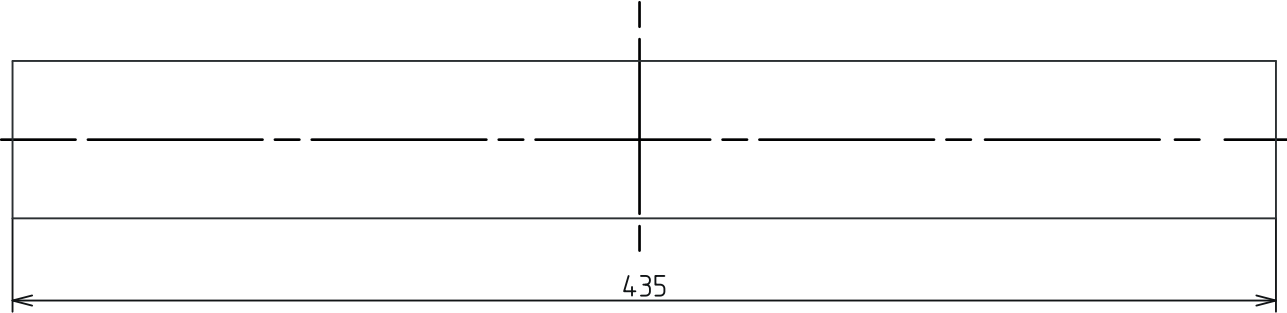
Thickness 18



Thickness 18

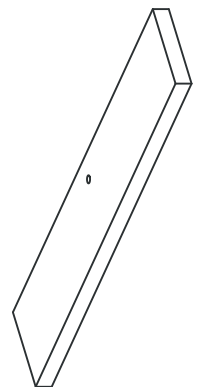
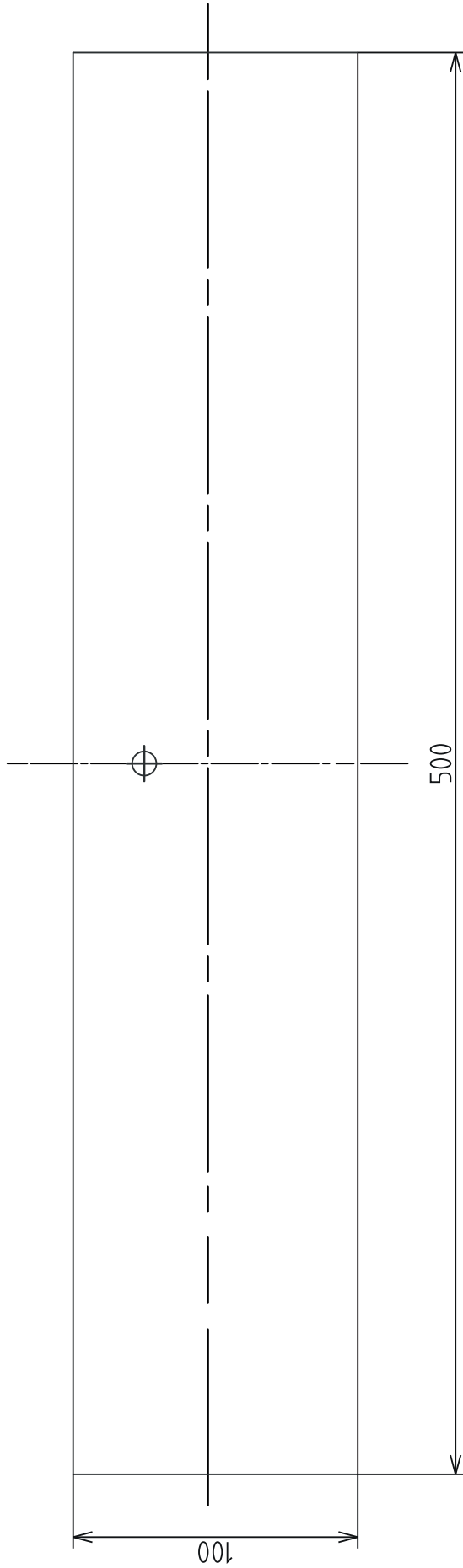


Thickness 18

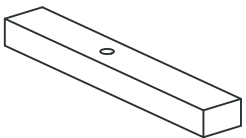
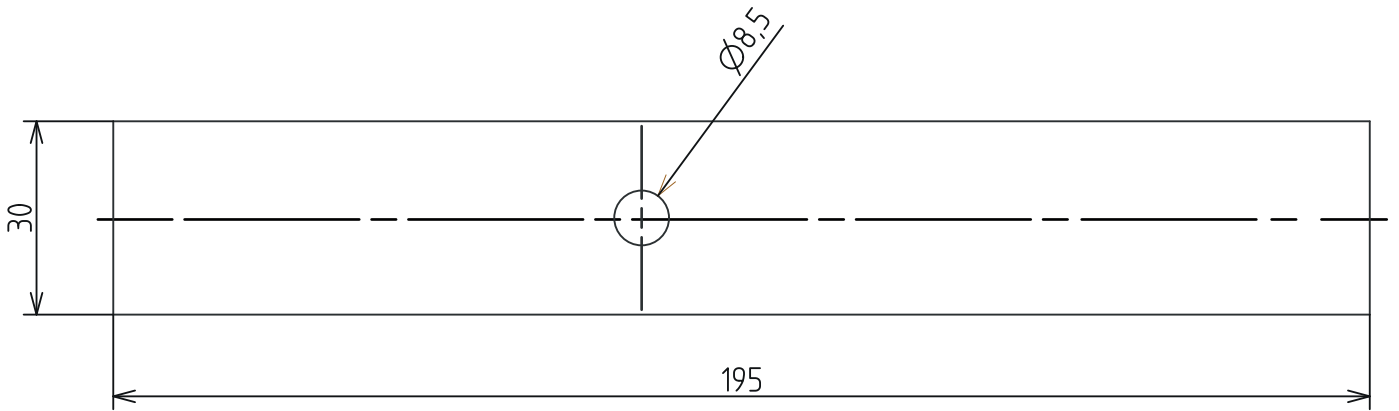




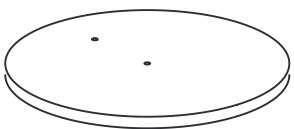
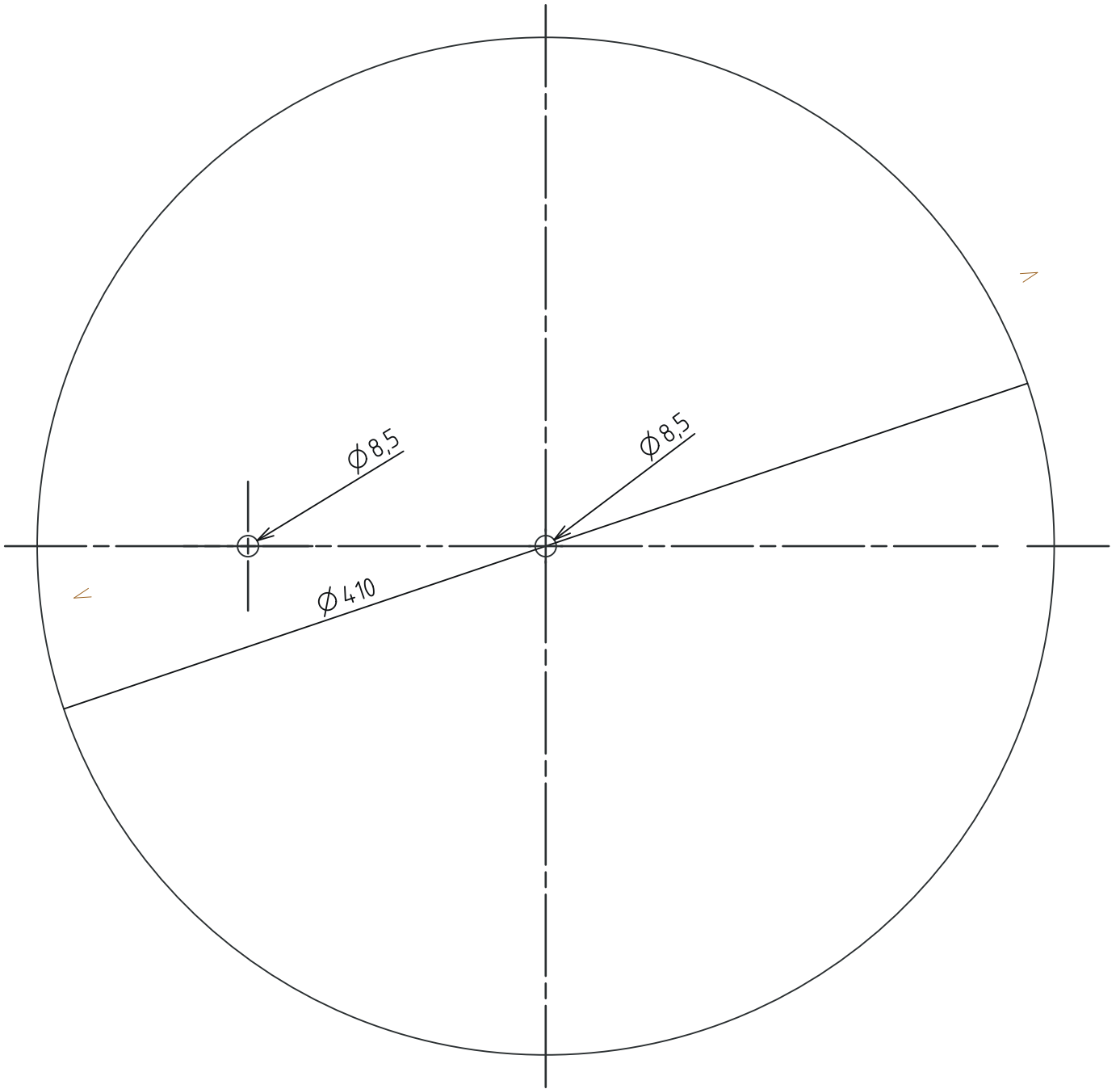
Thickness 18



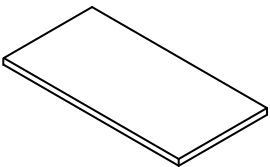
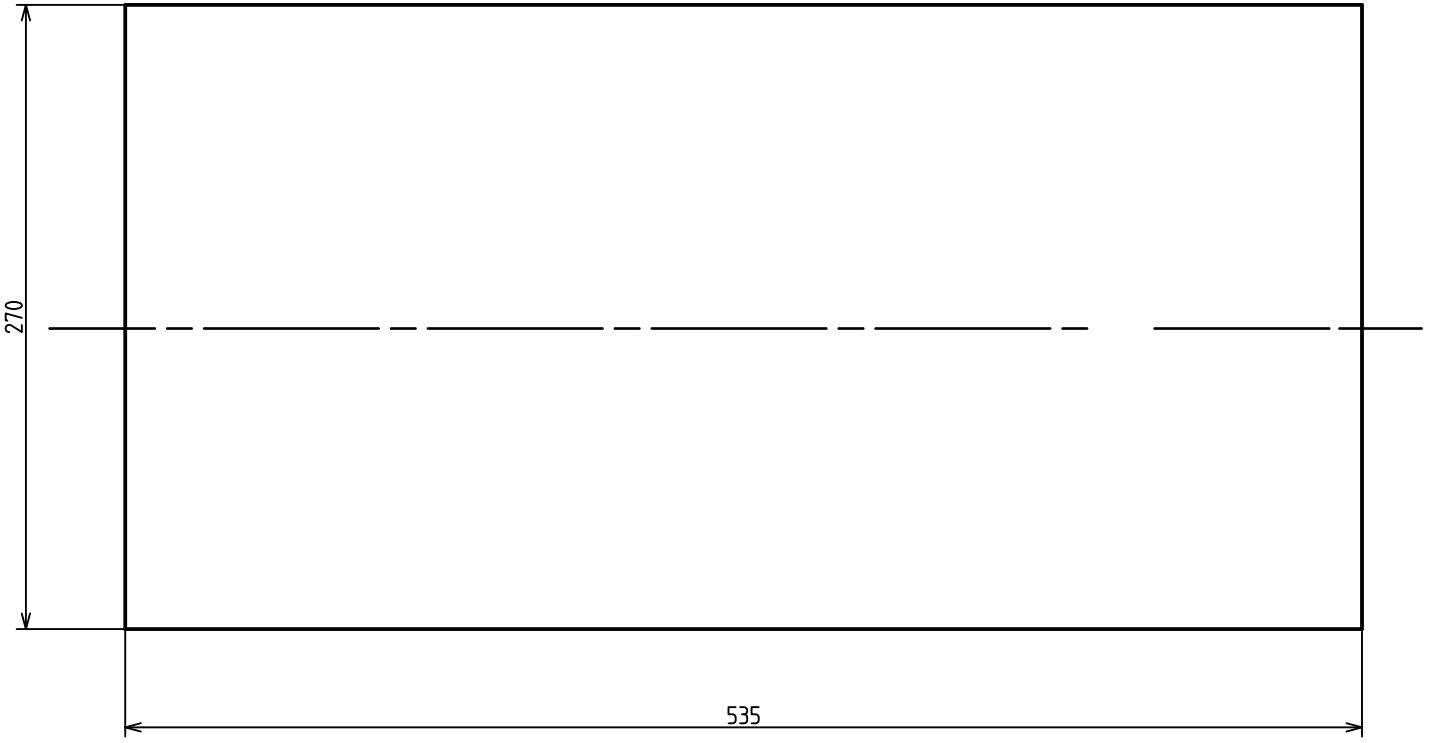
Thickness 18



Thickness 18

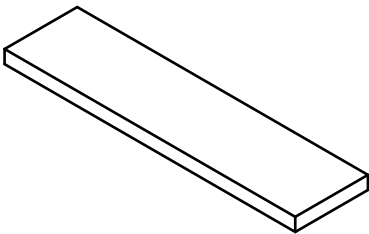
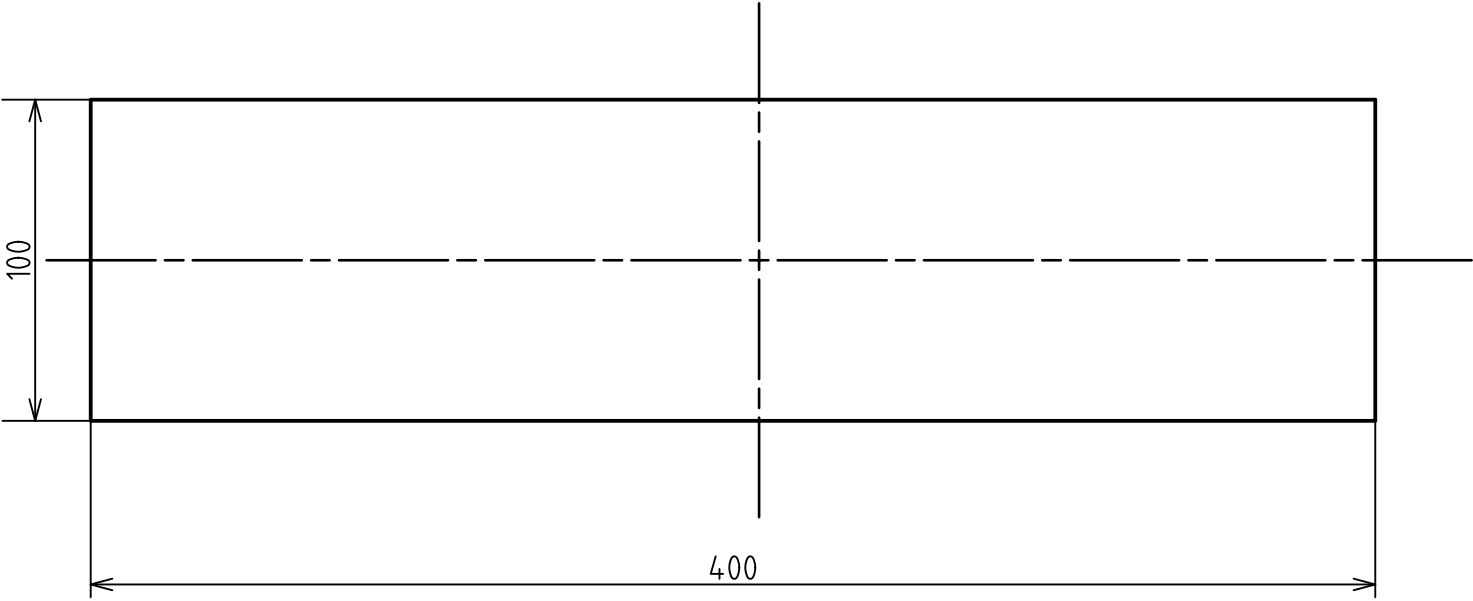


Thickness 18

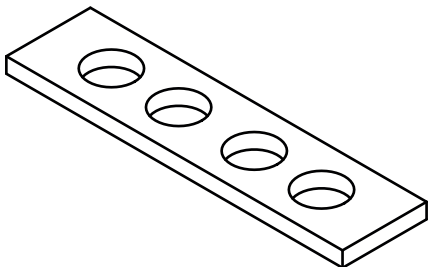
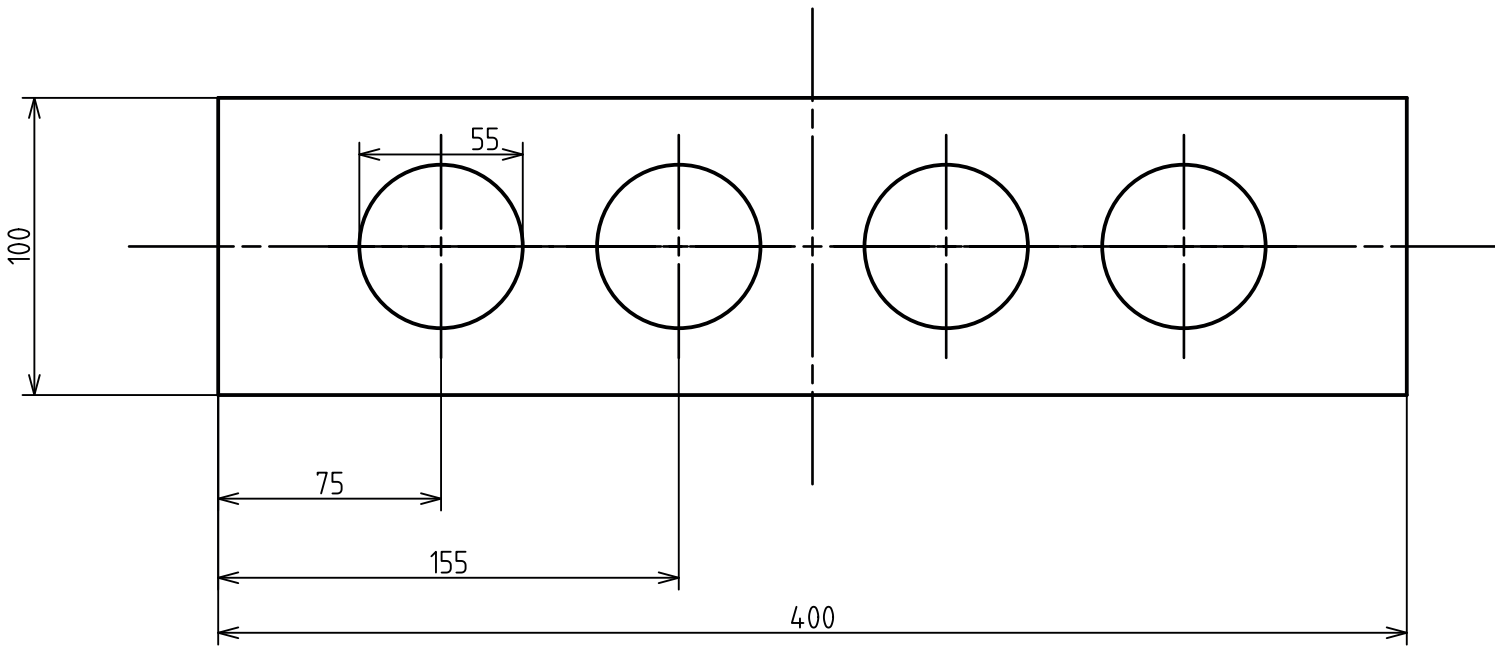


Thickness 18

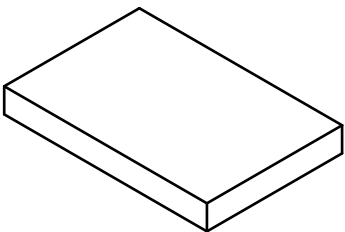
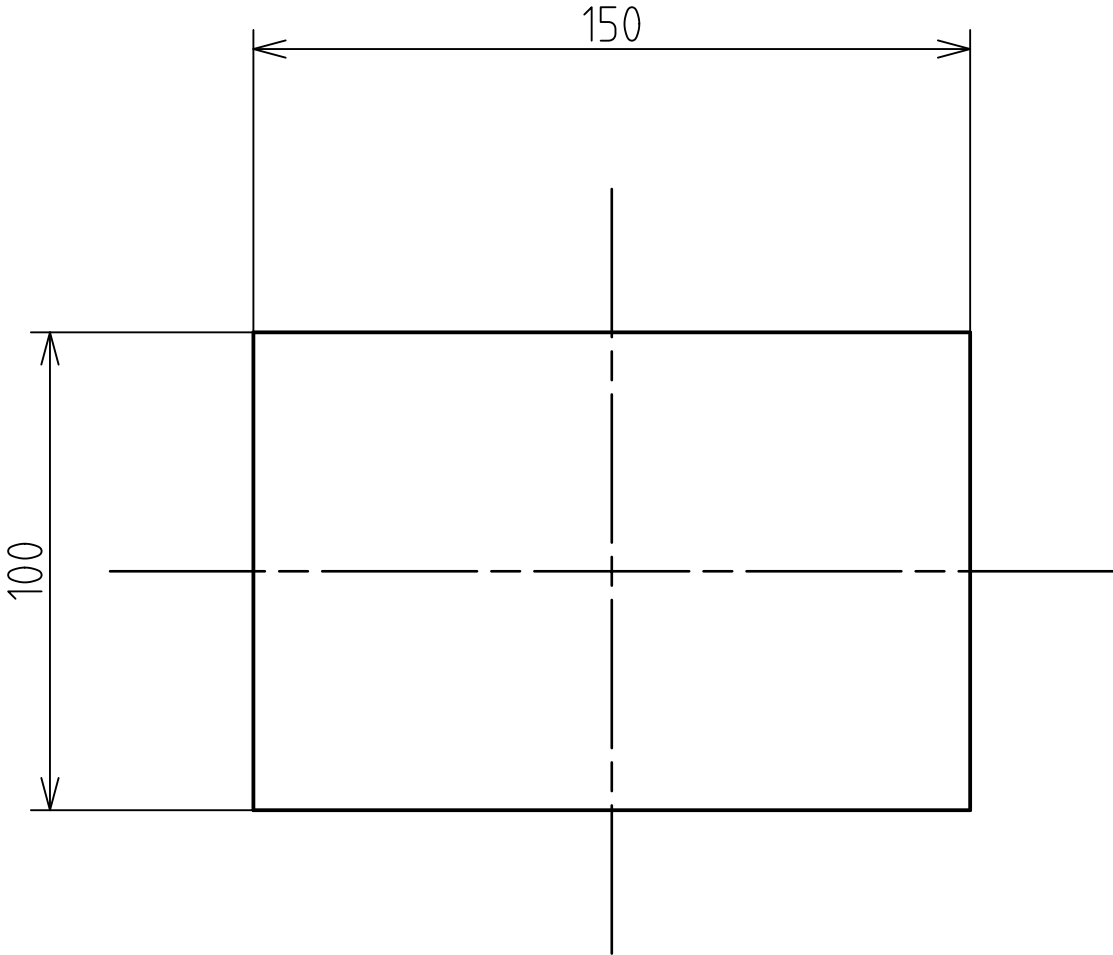
1



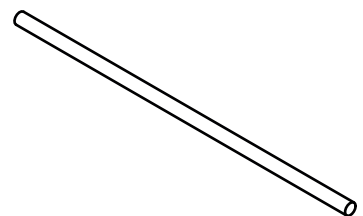
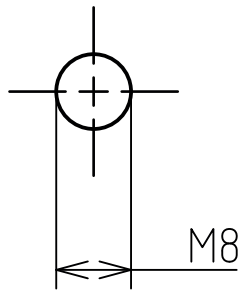
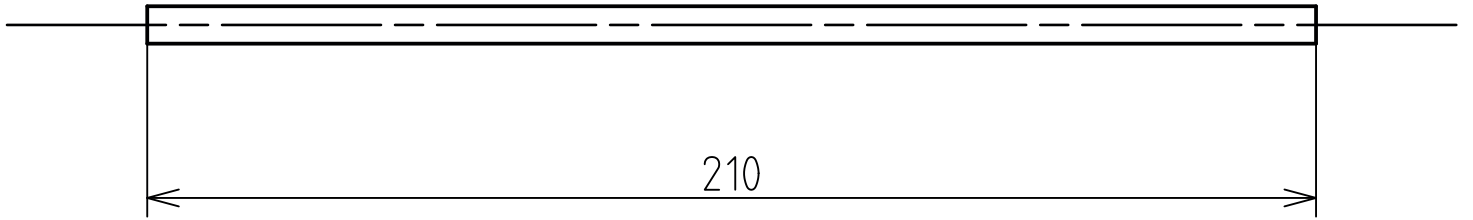
Thickness 18



Thickness 18

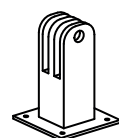
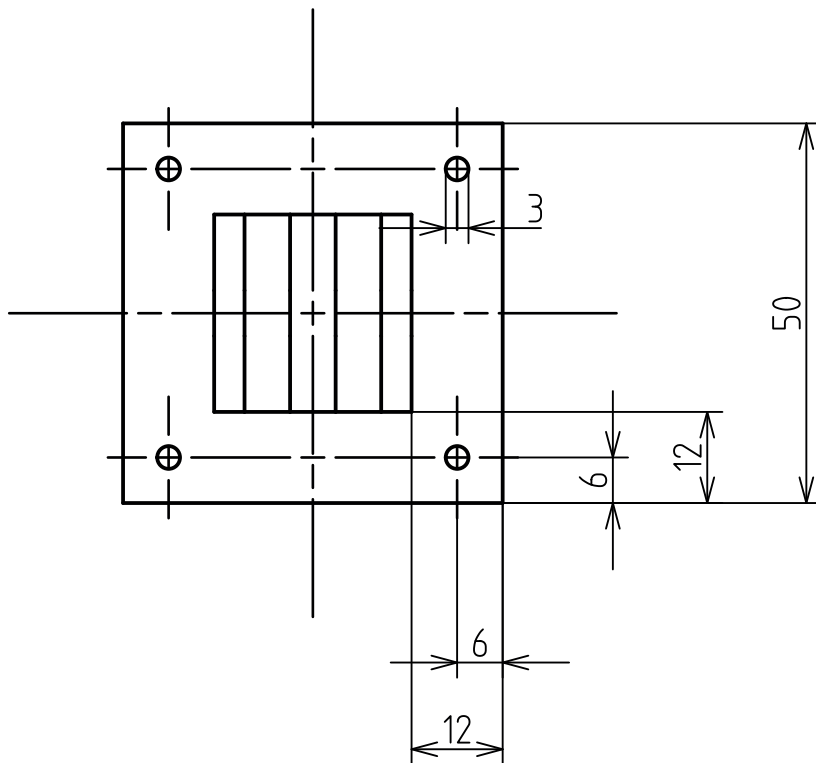
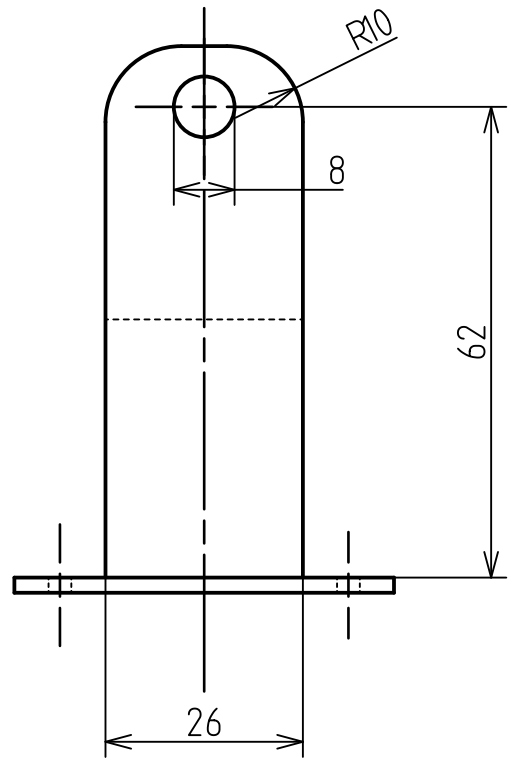
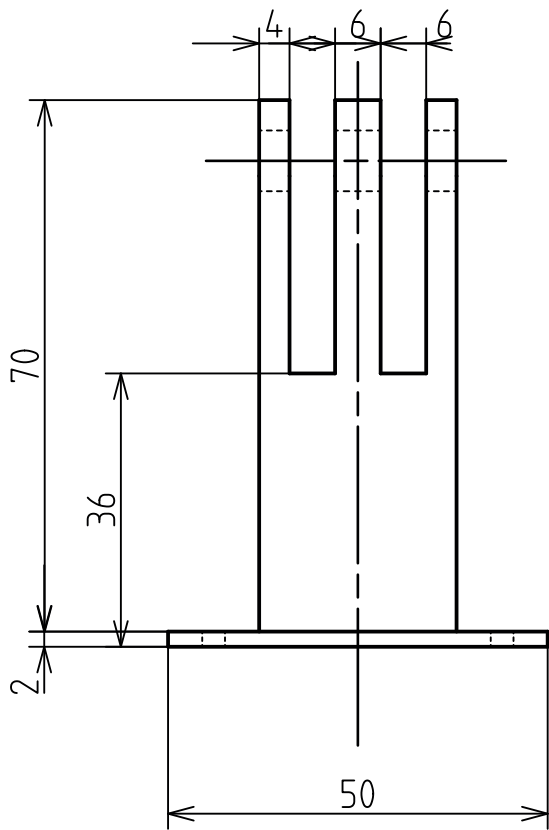


# Threaded Rod M8





# 3D - Printable File



# ABS Plate

