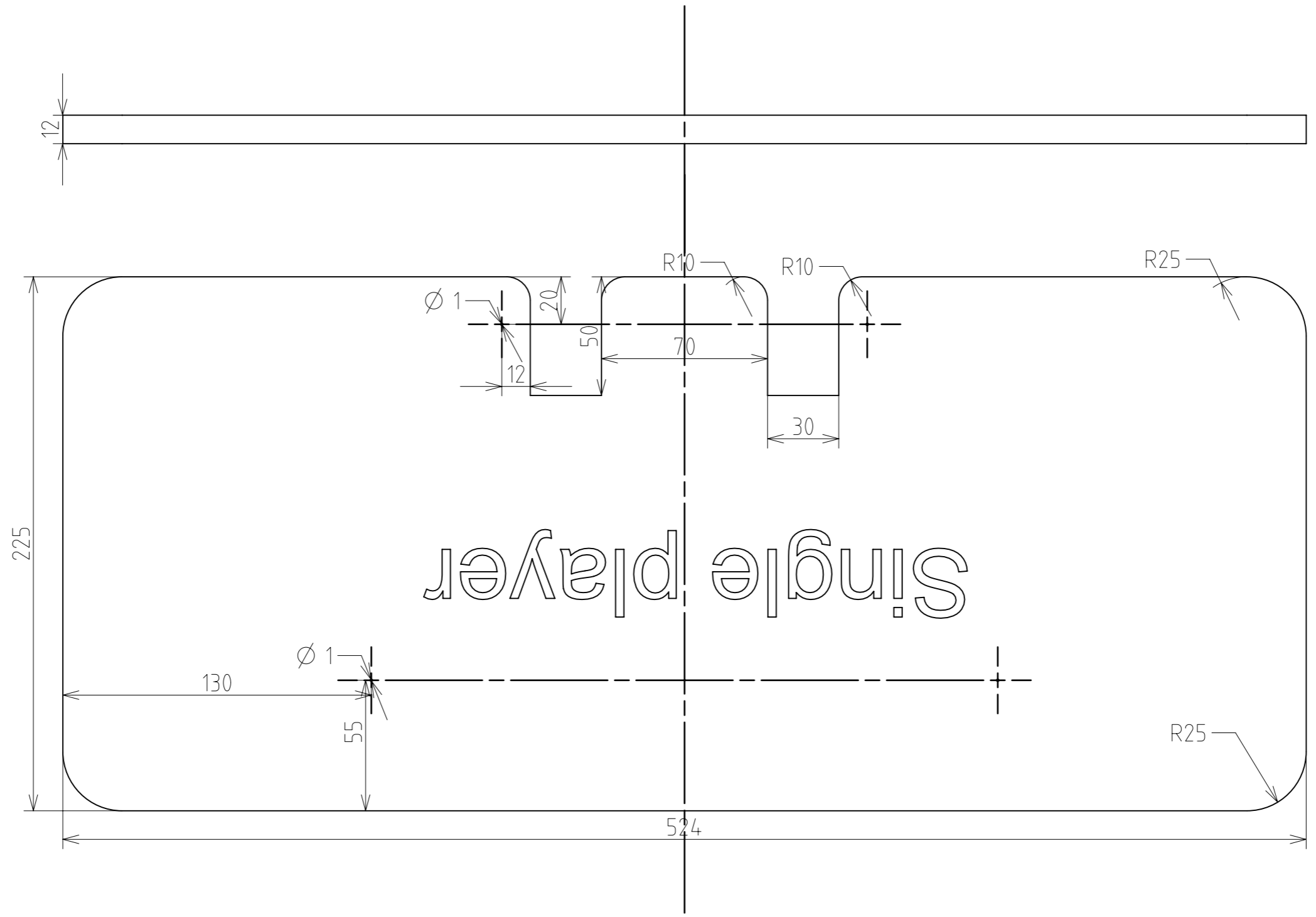


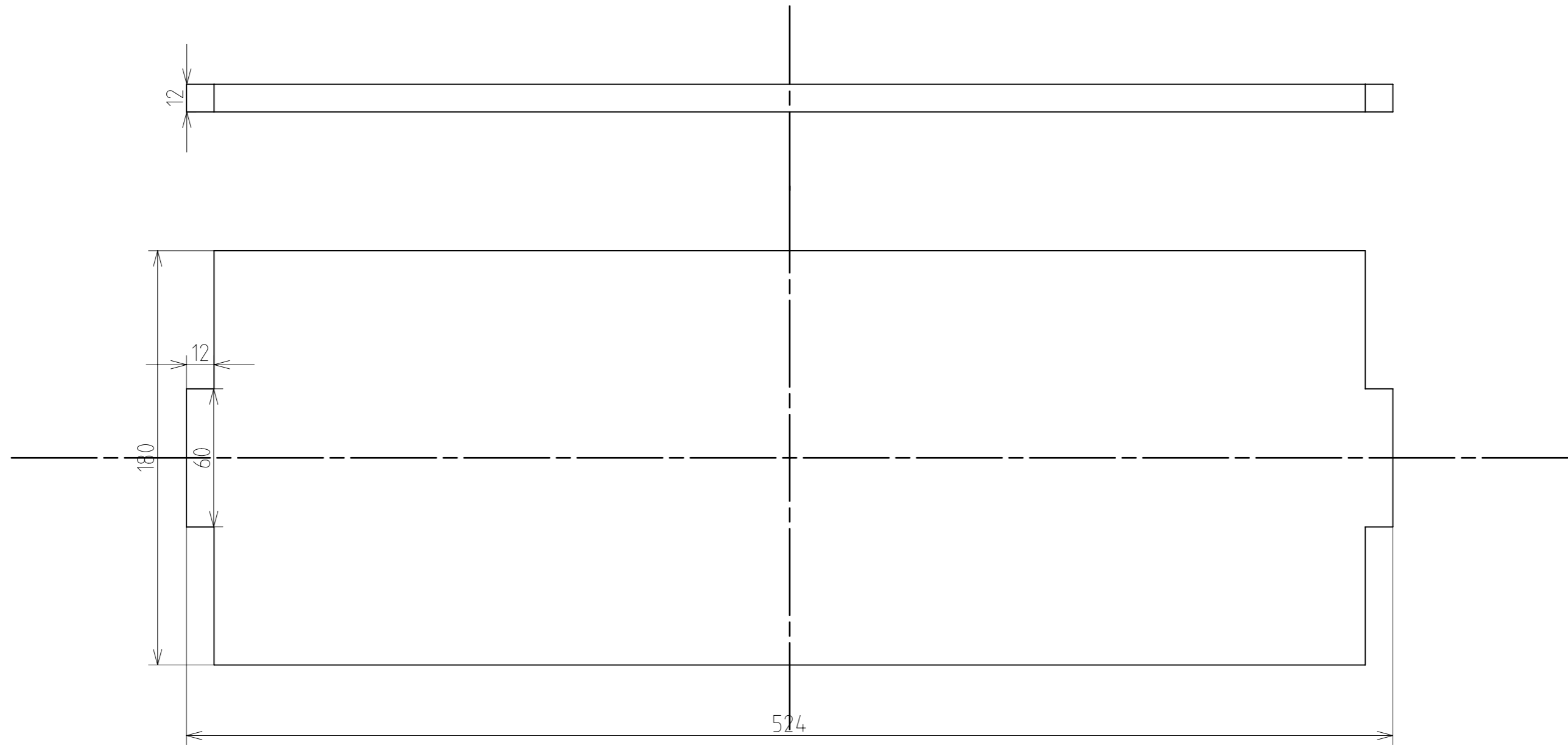


	SCALE:	PART NAME:		NAME:	
	1:1	Frame fully assembled		Woesh Team 15	
	STANDARD:	MATERIAL:	GROUP:	DATE:	A3
	ISO2768mK	Plywood, Stainless steel	2IPO, design for industry	04/06/2024	
ID PART: Metrojuggle assembly V2					

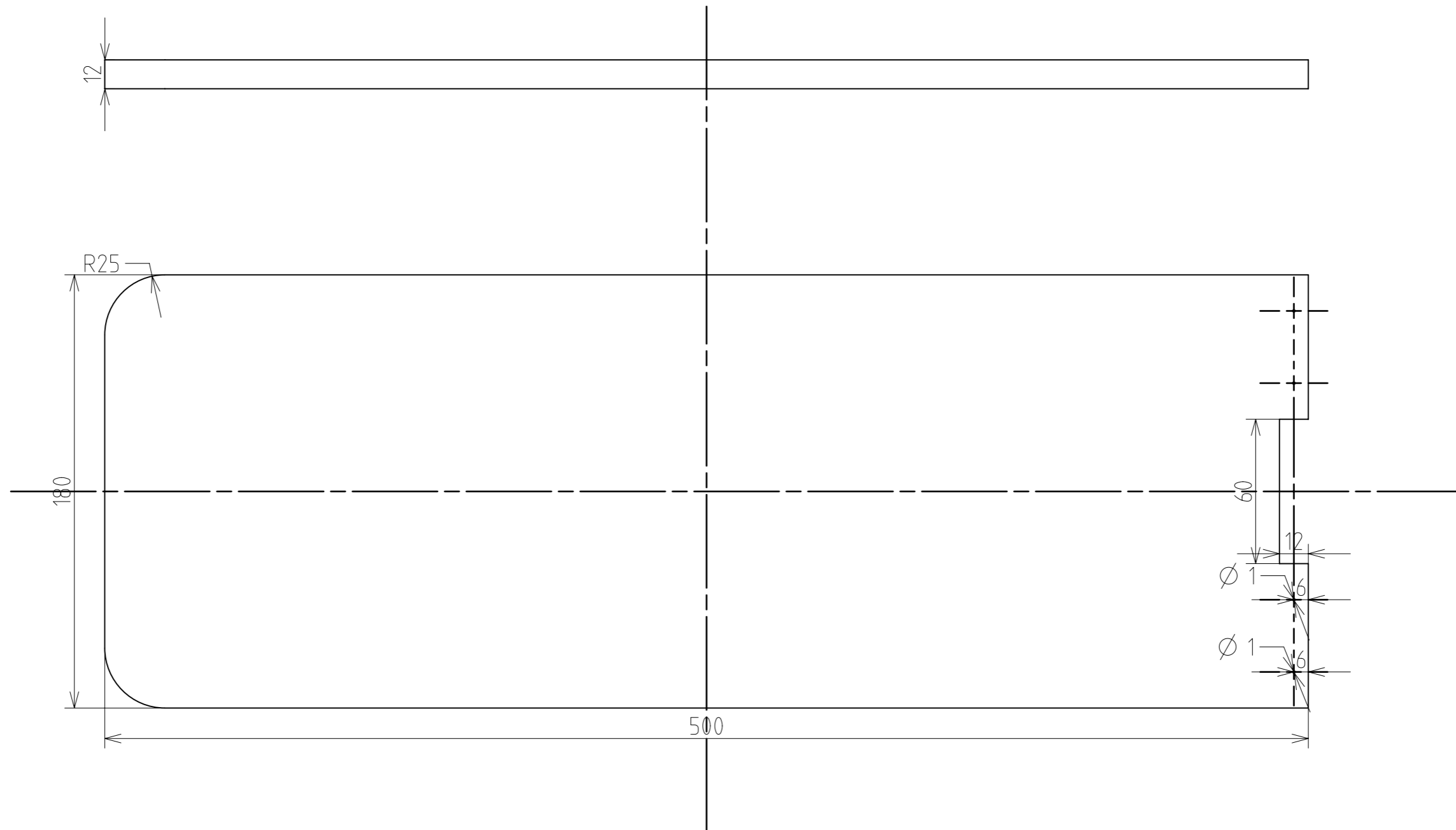



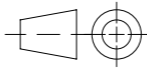
	SCALE:	PART NAME:		NAME:	
	1:1	Closing frame with hooks		Woesh Team 15	
	STANDARD:	MATERIAL:	GROUP:	DATE:	A3
	ISO2768mK	Plywood	2IPO, design for industry	04/06/2024	
ID PART: Metrojuggle closing frame screw hooks					

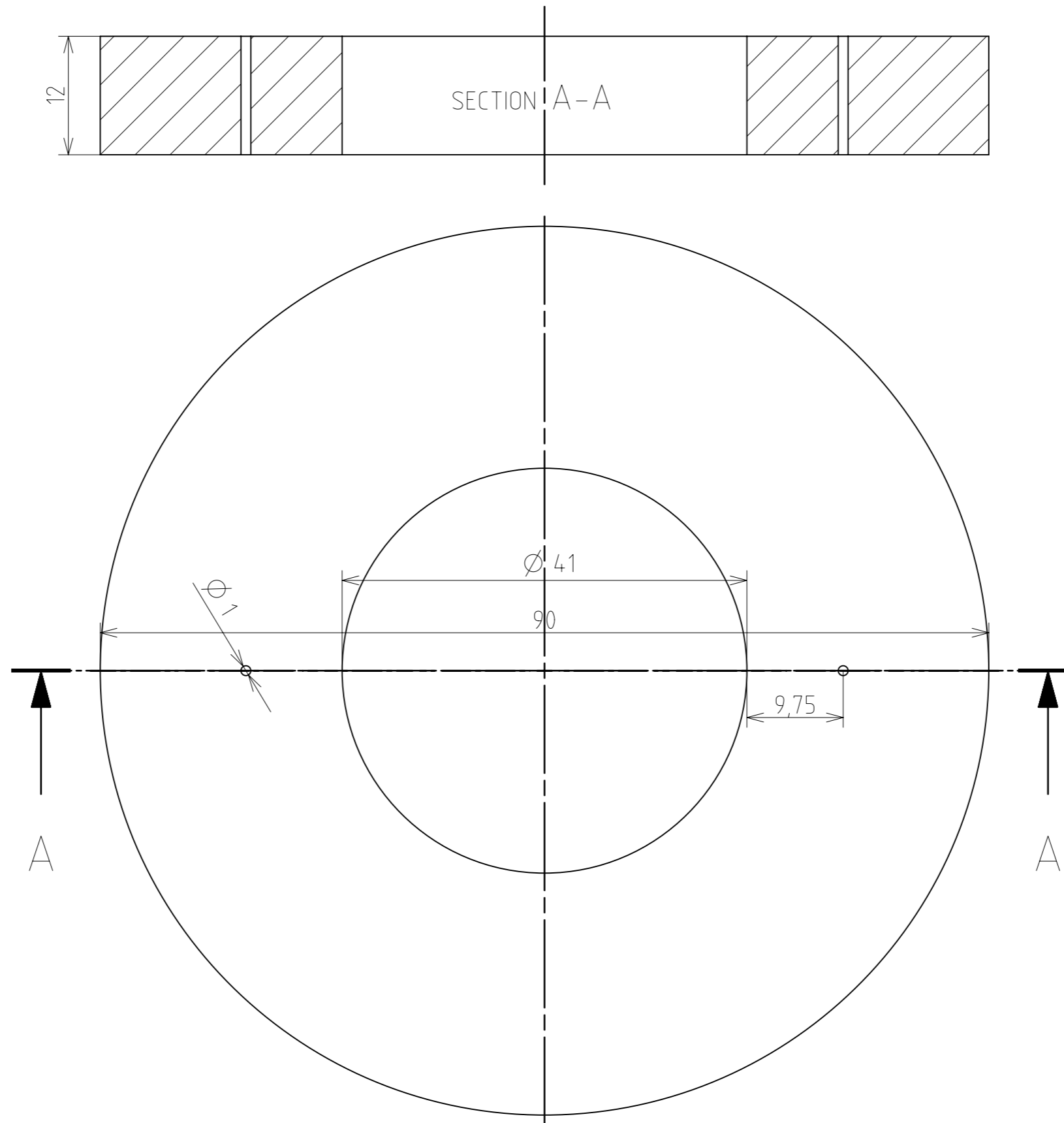



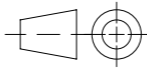
SCALE: 1:1	PART NAME: Baseplate	NAME: Woesh Team 15		
	STANDARD: ISO2768mK	MATERIAL: Plywood	GROUP: 2IPO, design for industry	DATE: 04/06/2024
	ID PART: Woesh Metrojuggle frame V3 - baseplate			

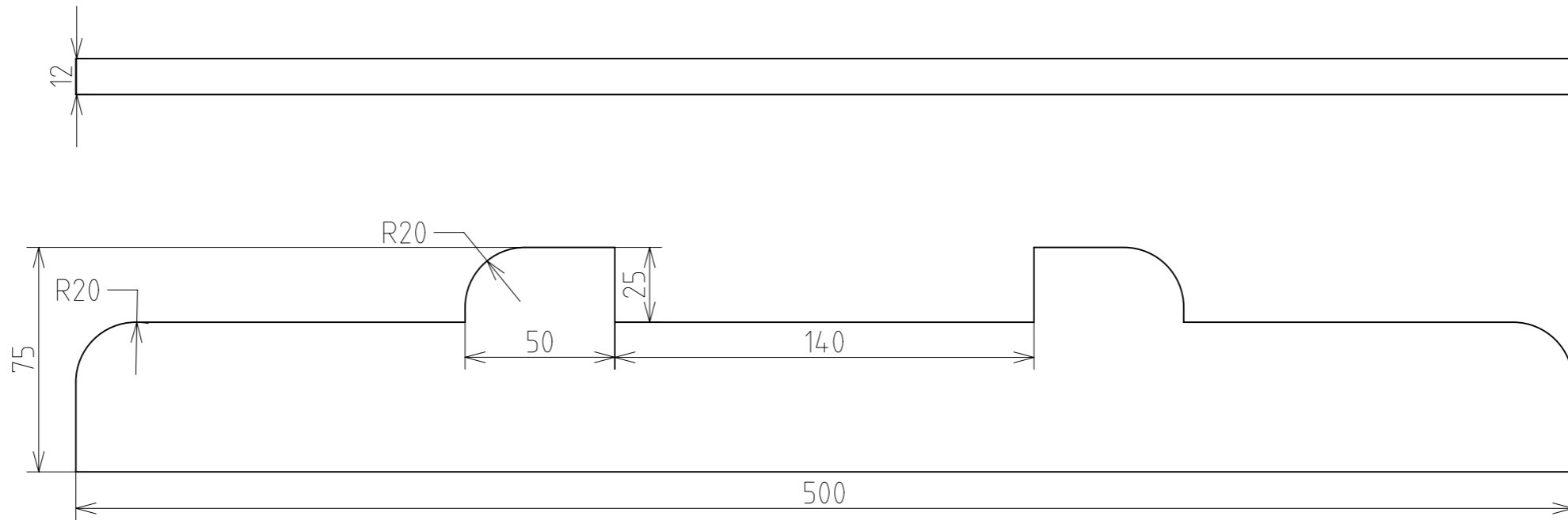
A3


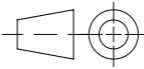


	SCALE:	PART NAME:		NAME:	
	1:1	Side plate		Woesh Team 15	
	STANDARD:	MATERIAL:	GROUP:	DATE:	A3
	ISO2768mK	Plywood	2IPO, design for industry	04/06/2024	
ID PART: Woesh Metrojuggle frame V3					

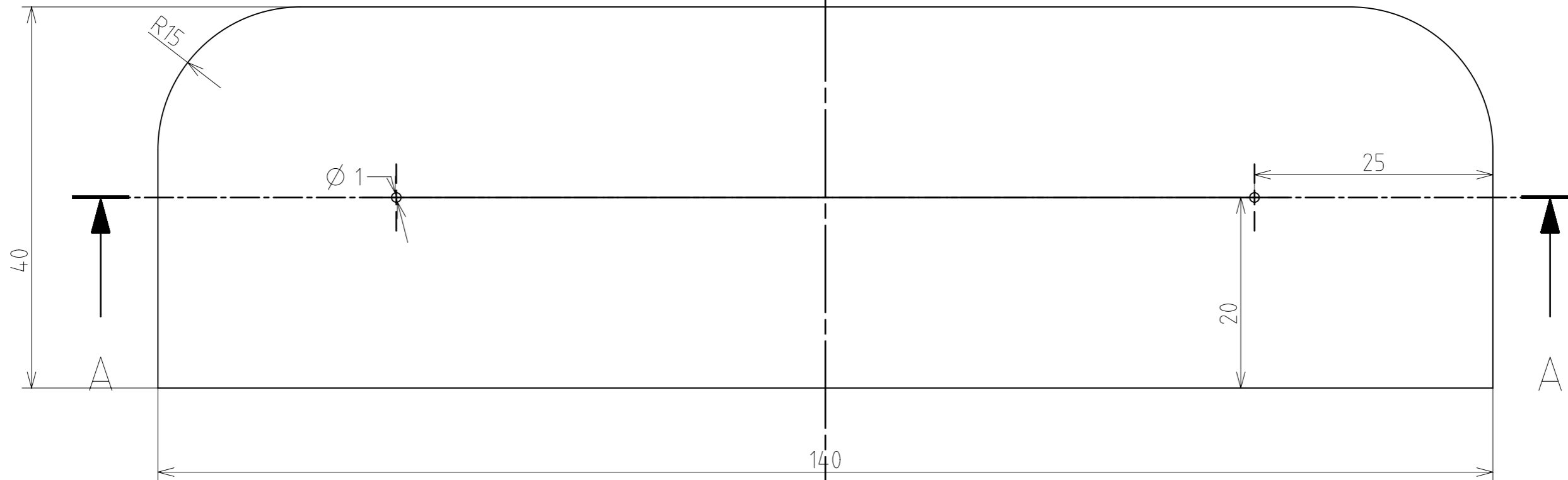
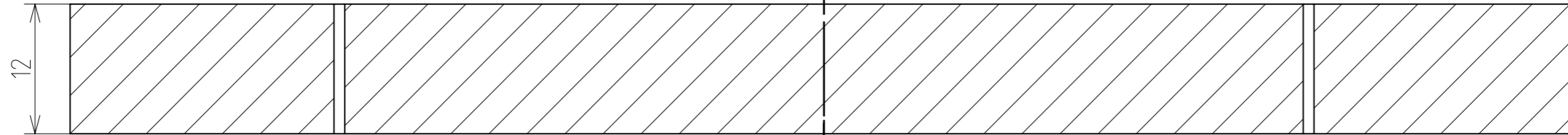


	SCALE:	PART NAME:		NAME:	
	1:1	Pipe mounting disc		Woesh Team 15	
	STANDARD:	MATERIAL:	GROUP:	DATE:	A3
	ISO2768mK	Plywood	2IPO, design for industry	04/06/2024	
ID PART:					



	SCALE:	PART NAME:		NAME:	
	1:1	Locking beam		Woesh team 15	
	STANDARD:	MATERIAL:	GROUP:	DATE:	A3
	ISO2768mK	Plywood	2IPO, design for industry	04/06/2024	
ID PART: Secondary locking beam					

SECTION A-A



SCALE:

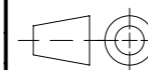
1:1

PART NAME:

Locking slot

NAME:

Woesh Team 15



STANDARD:

ISO2768mK

MATERIAL:

Plywood

GROUP:

2IPO, design for industry

DATE:

04/06/2024

A3

ID PART: Woesh locking slides 2