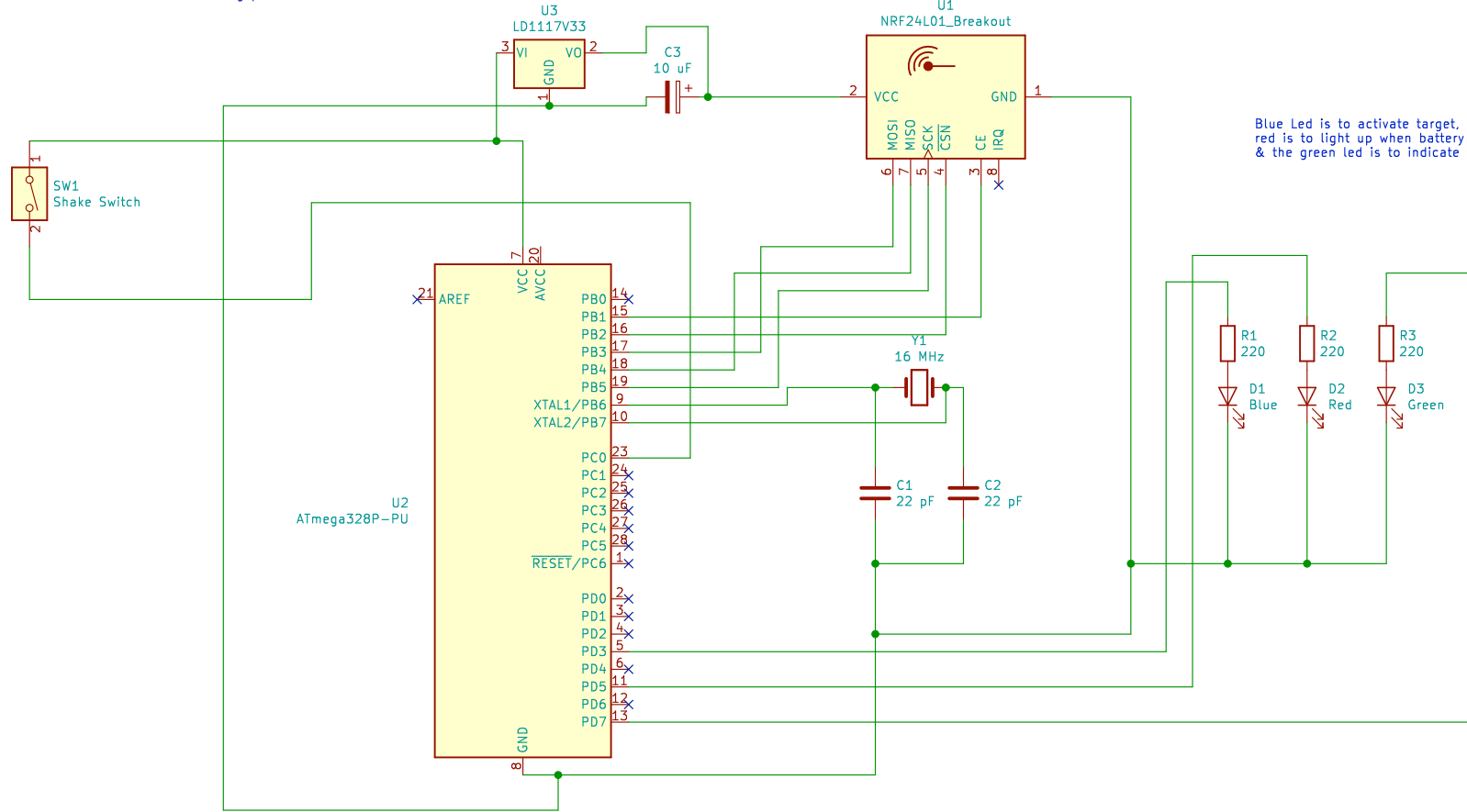


Shake switch is the vibration sensor. Connected to analog 0 pin.  
 If using Piezzo buzzer, connect it also on the Analog pin.

Please test out to find a capacitor that works with your transmitters.  
 It can be others that works better for you depending on how you power,  
 the transmitter.

Blue Led is to activate target,  
 red is to light up when battery power is low  
 & the green led is to indicate that the target is turned on.



Sheet: /  
 File: TargetScheme.sch

**Title:**

Size: A4  
 KiCad E.D.A. kicad (5.1.5-0-10\_14)

Date:

Rev:  
 Id: 1/1