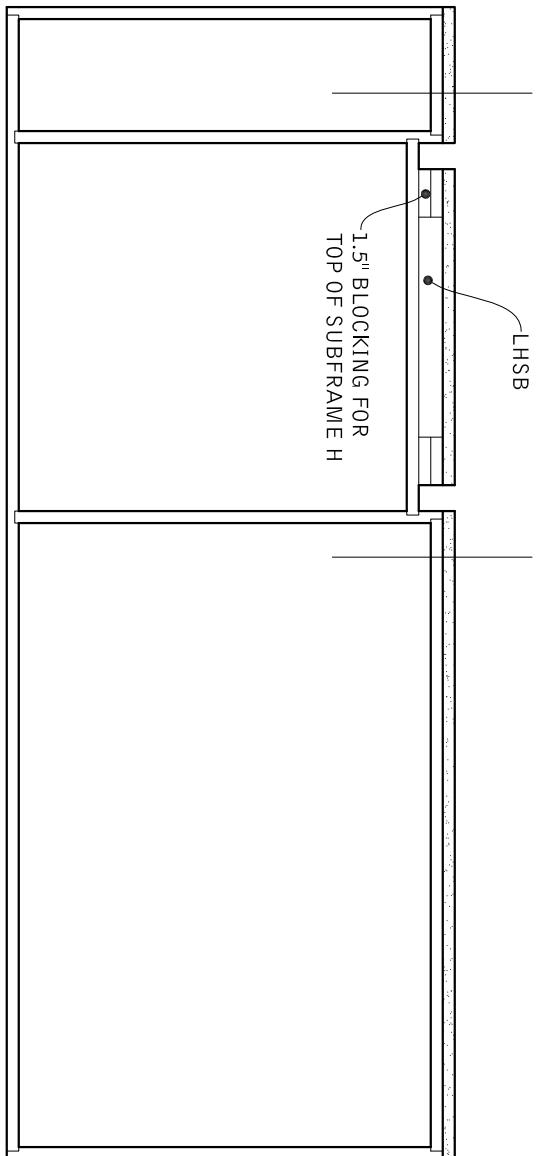
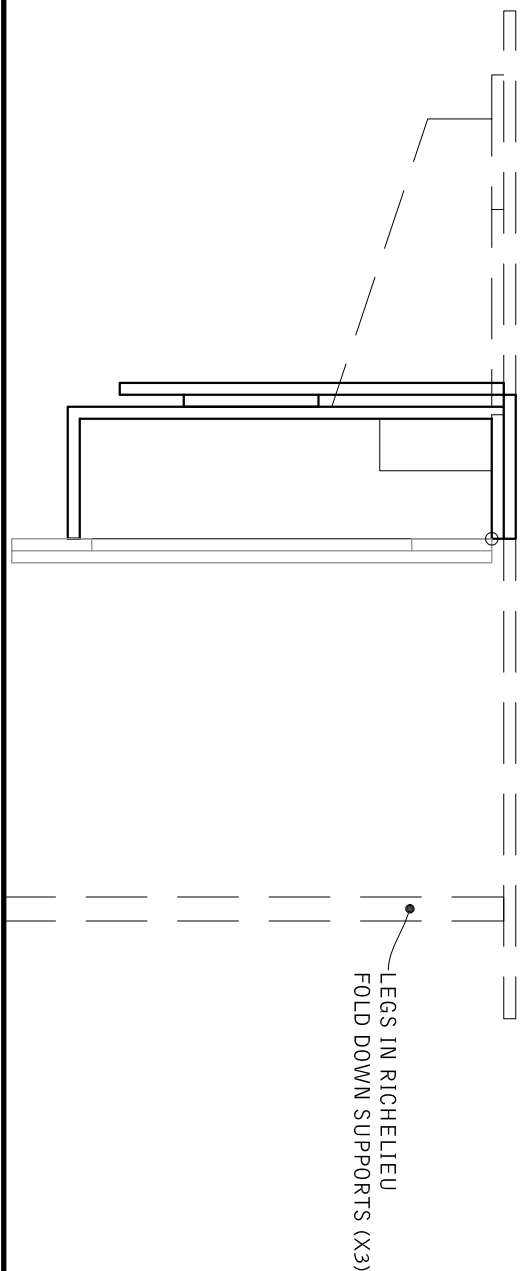
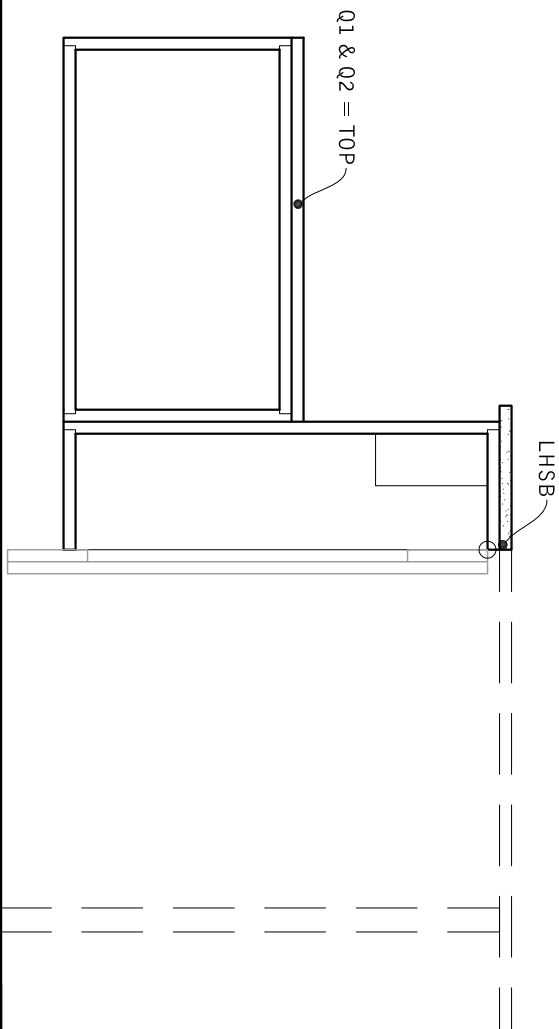
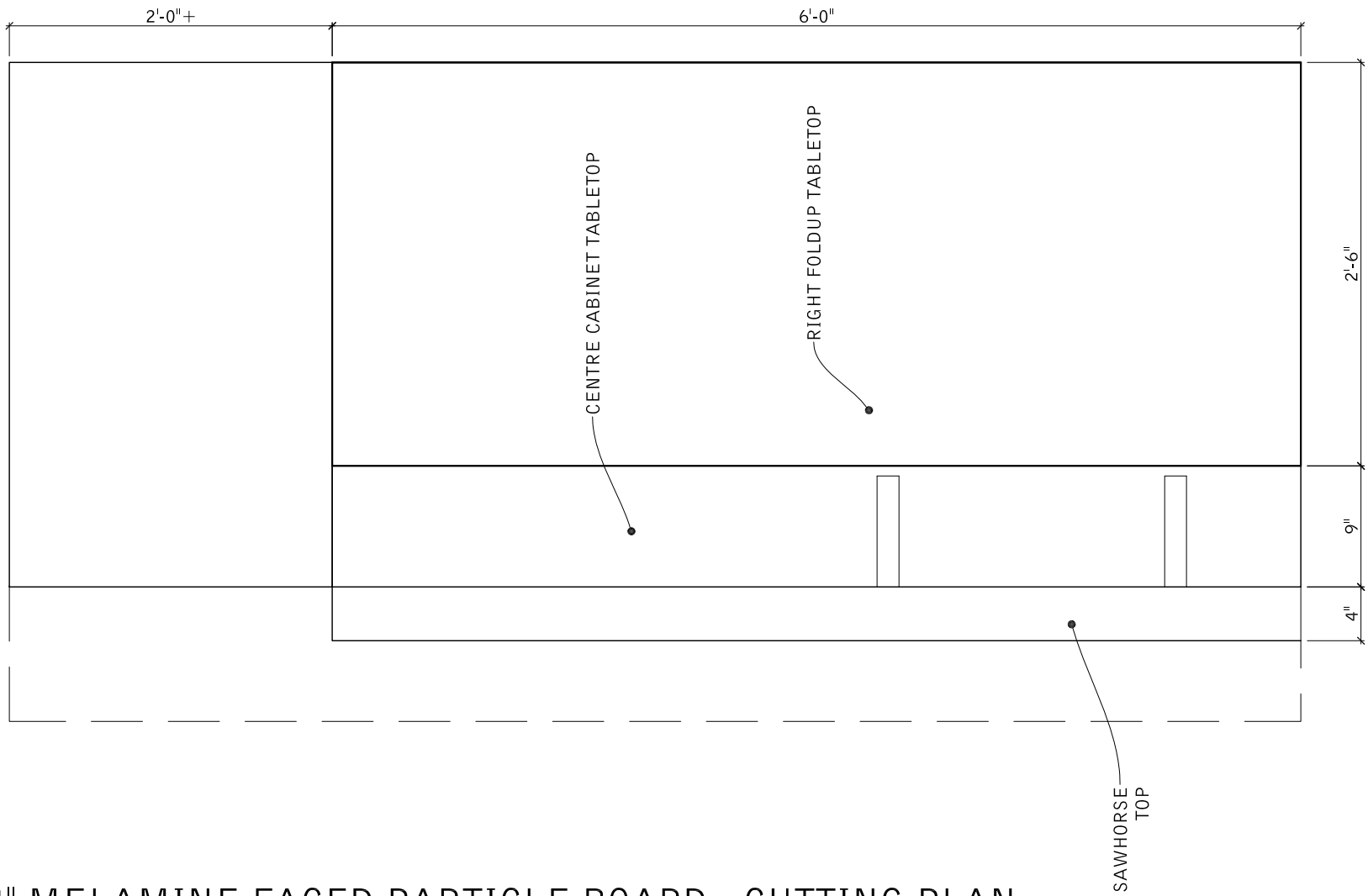


OVERALL PLAN

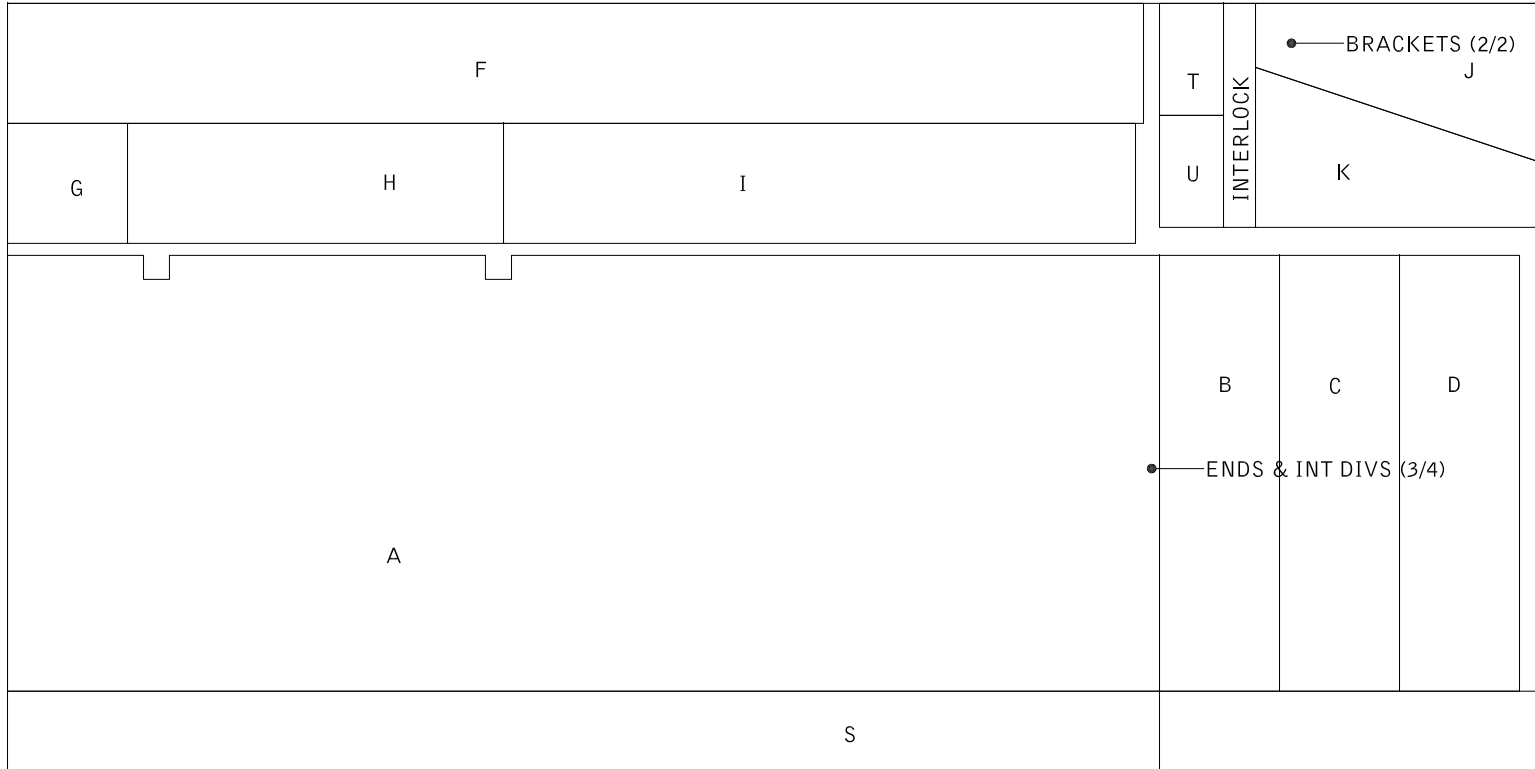


ELEVATIONS

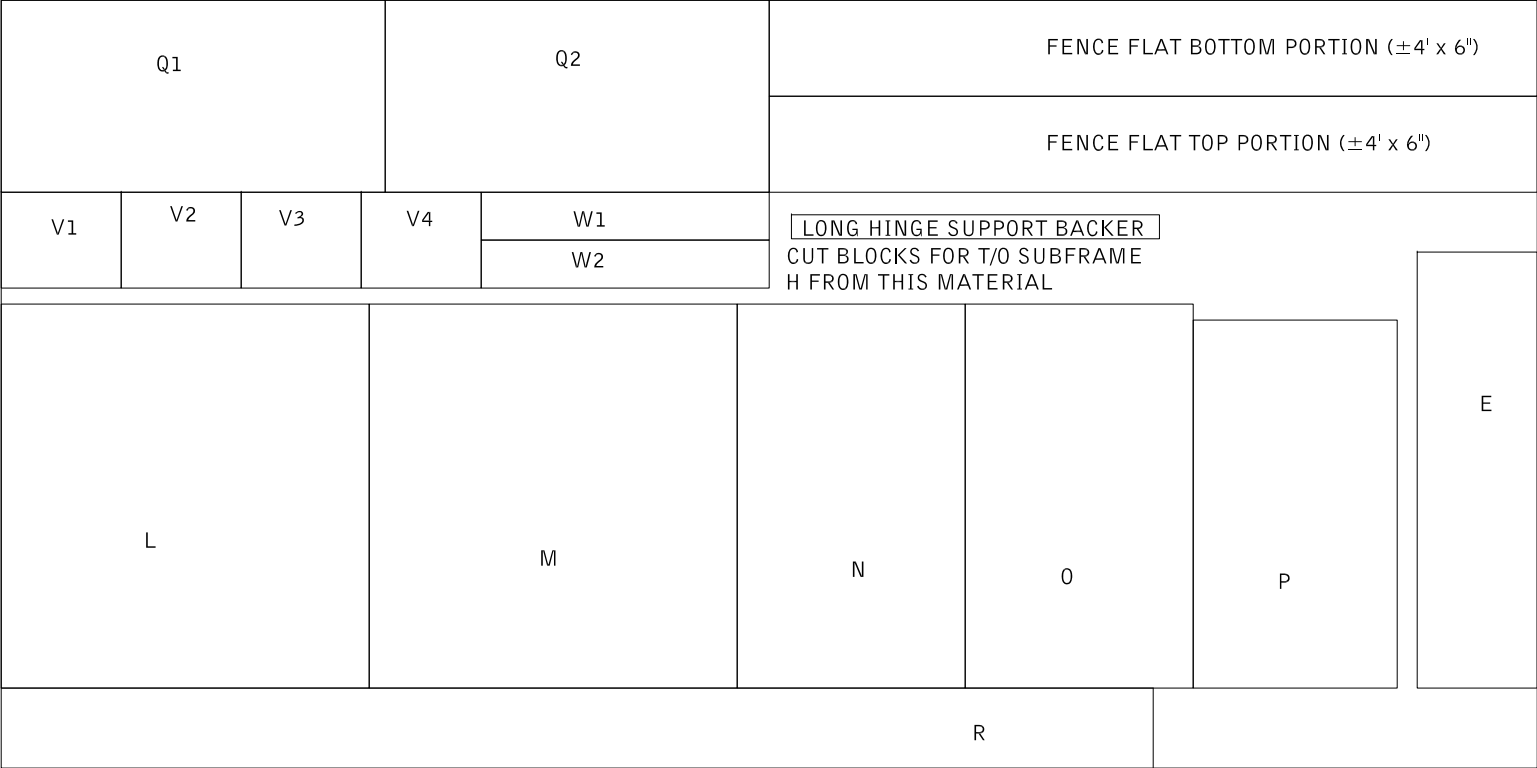




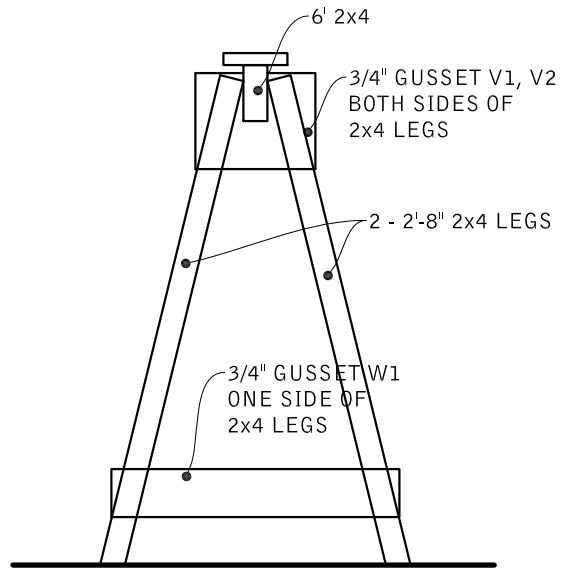
3/4" MELAMINE FACED PARTICLE BOARD - CUTTING PLAN



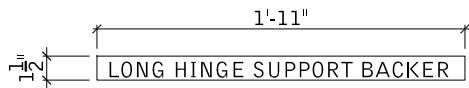
3/4" FIR PLY SHEET 'A' - CUTTING PLAN



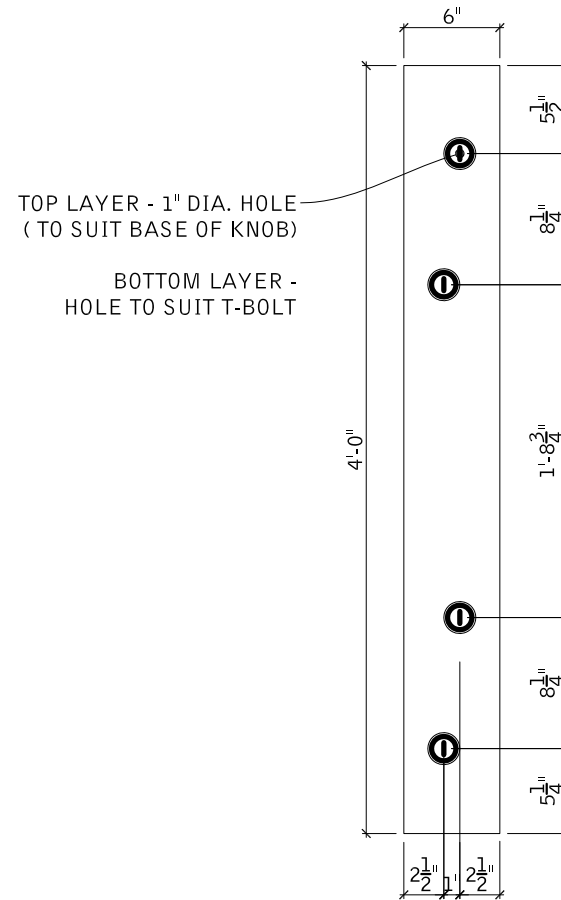
3/4" FIR PLY SHEET 'B' - CUTTING PLAN



TYP. SAWHORSE

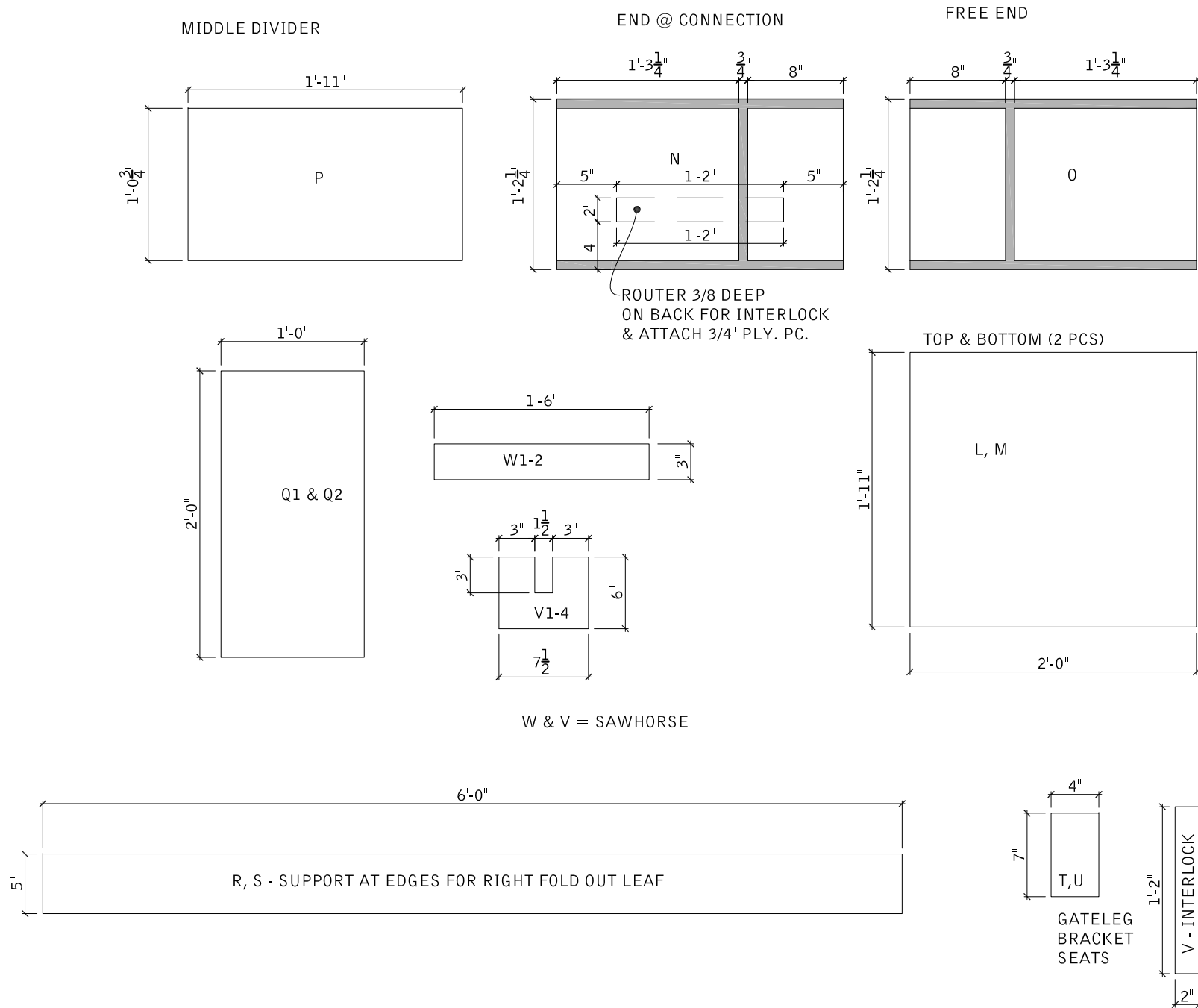


SEE SPOT MARKED "LHSB" @ SIDE ELEVS / PLAN

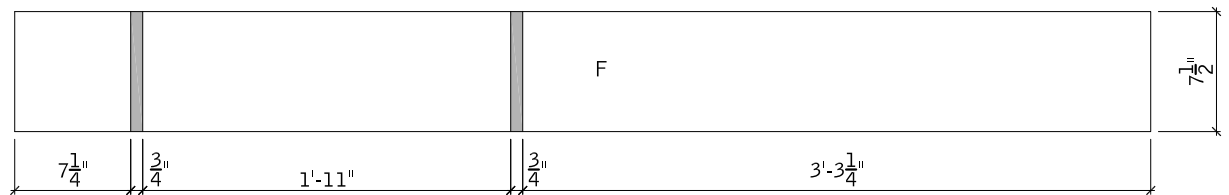
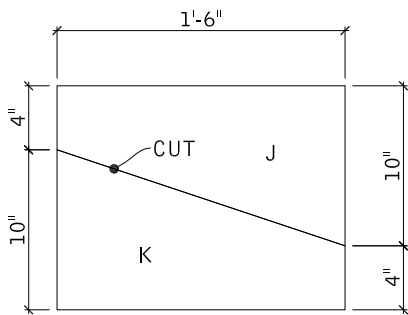
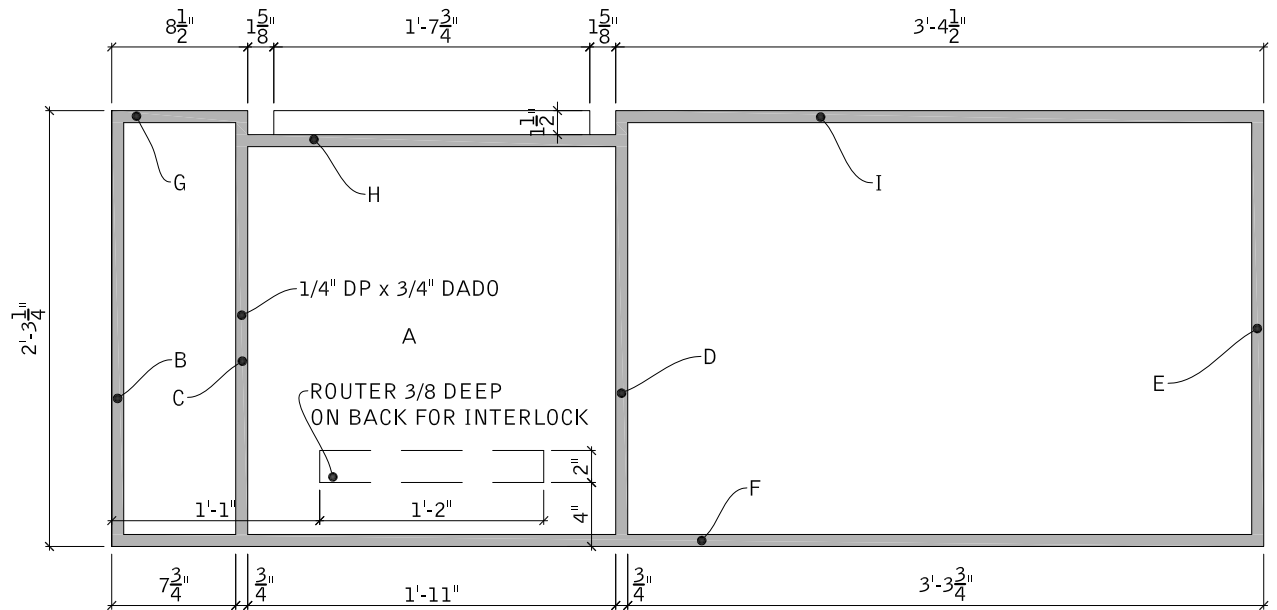
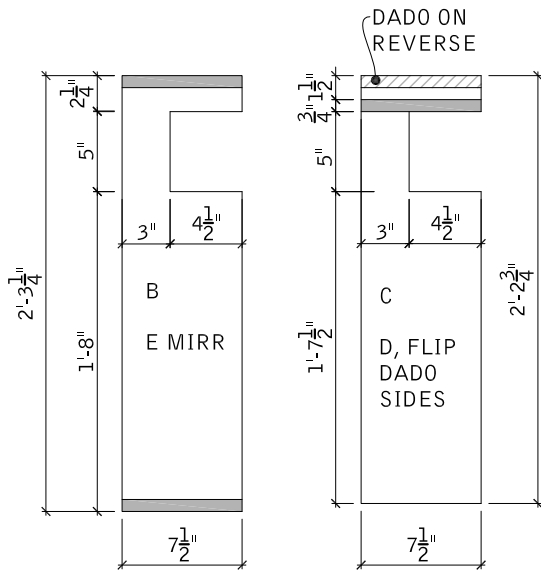
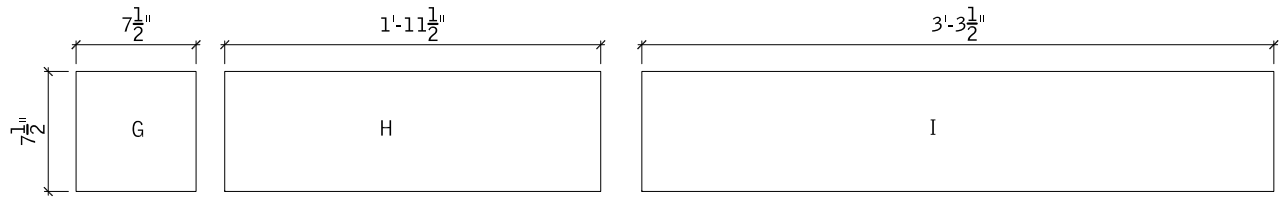


RIP FENCE

DIMENSIONED PARTS / LAYOUT PLAN

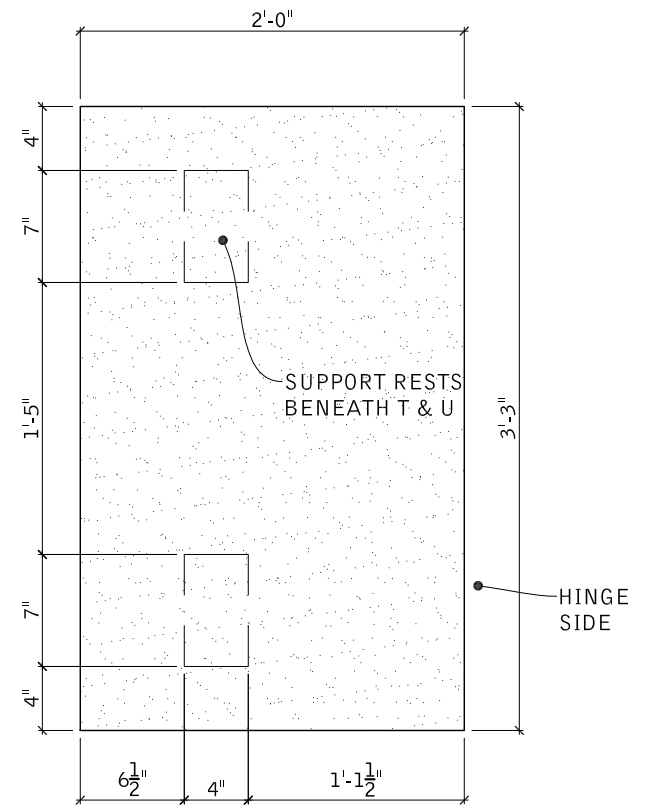
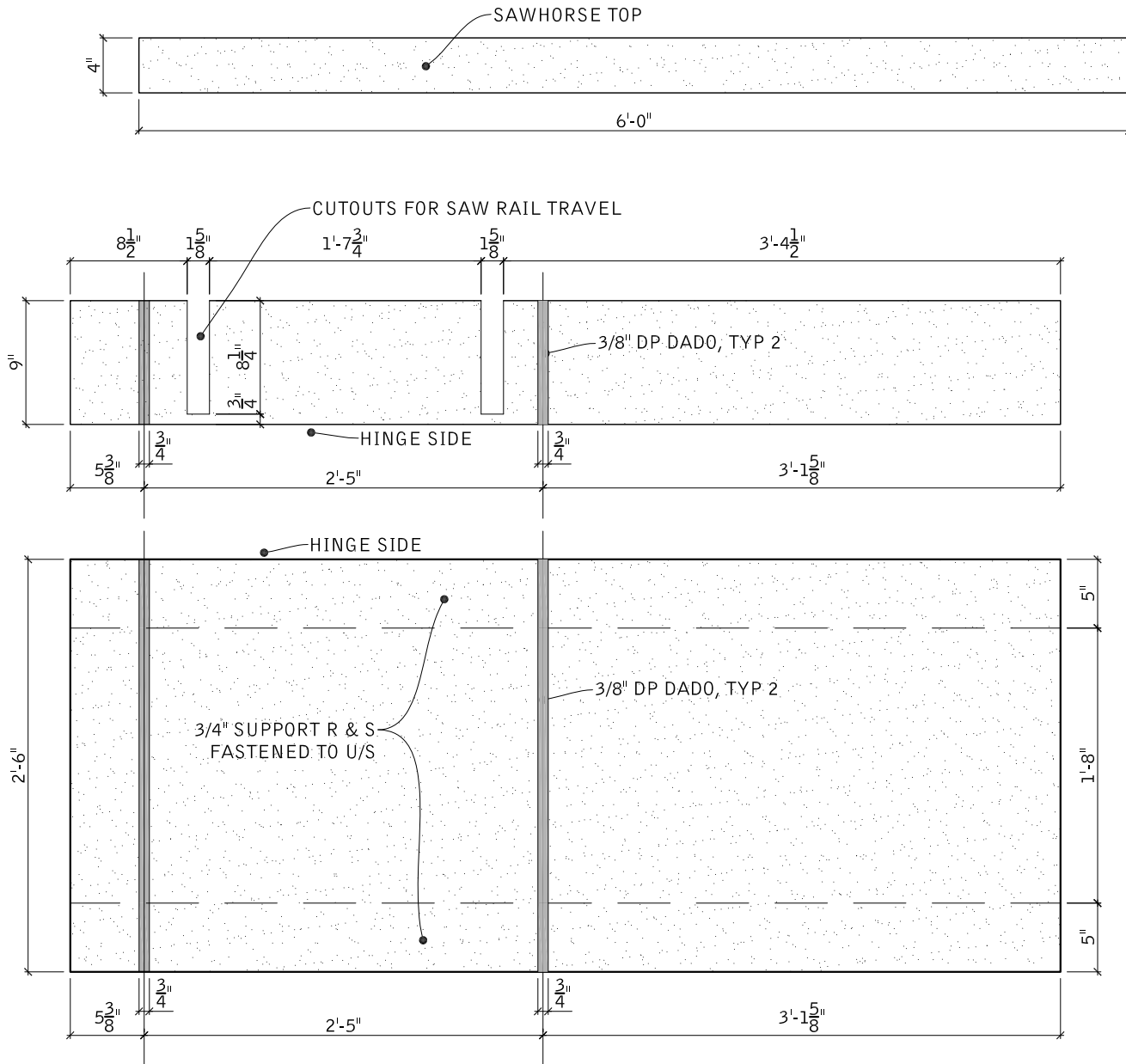


# DIMENSIONED PARTS PLAN



DIMENSIONED PARTS PLAN





3/4" MELAMINE FACED DIMENSIONED PARTS PLAN