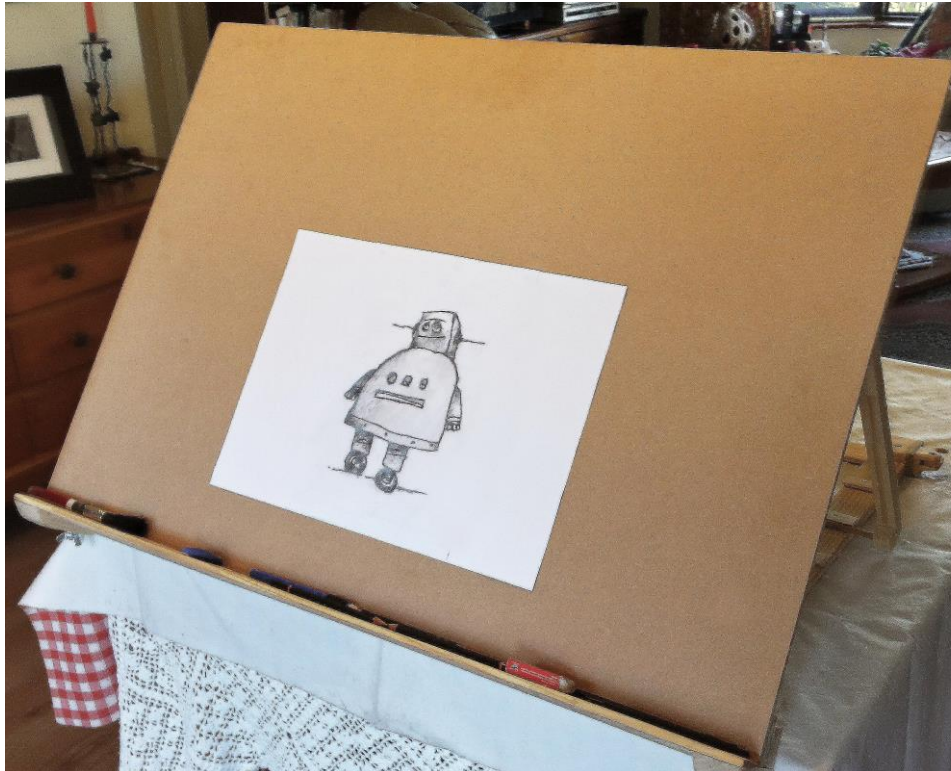


LIGHTWEIGHT PORTABLE TABLE-TOP ARTISTS EASEL



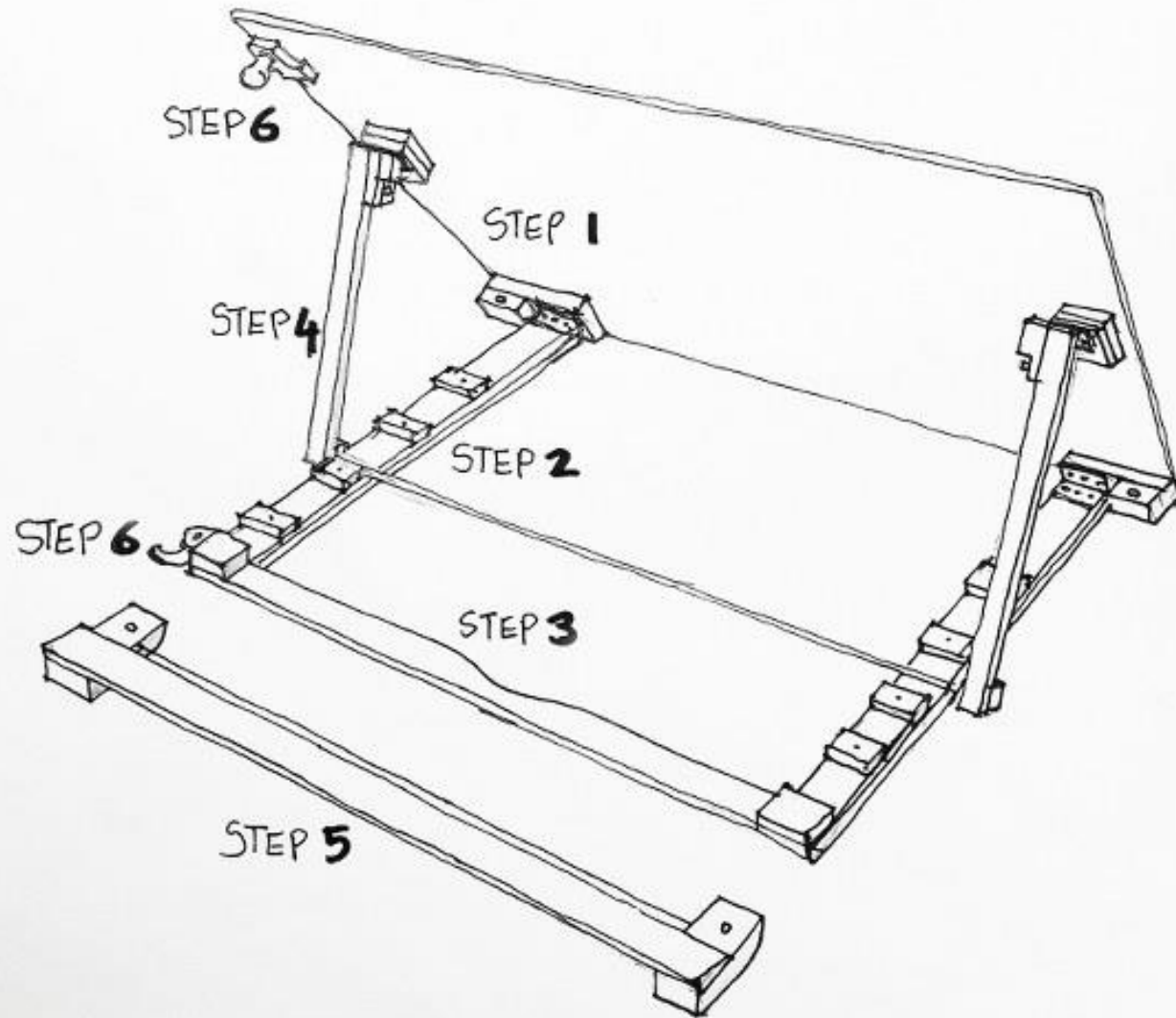
Steps and numbers on the drawings below are cross-referenced to the Materials List and Instructable. In addition to these drawings use the Instructable as an assembly manual including tools, tips and methodology.

Note:

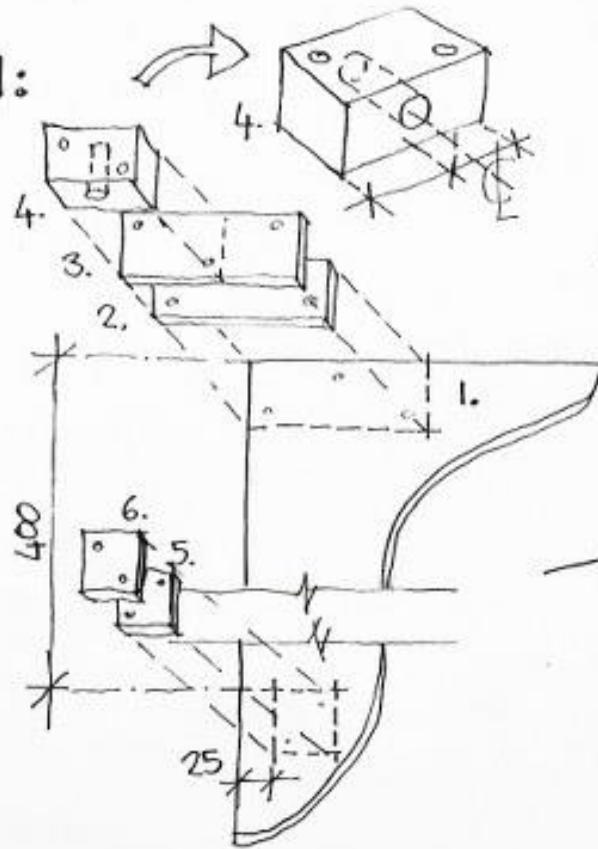
Step 2 missing dimension 70mm / 2,7 inches

Step 4 missing dimension 360mm / 14,1 inches

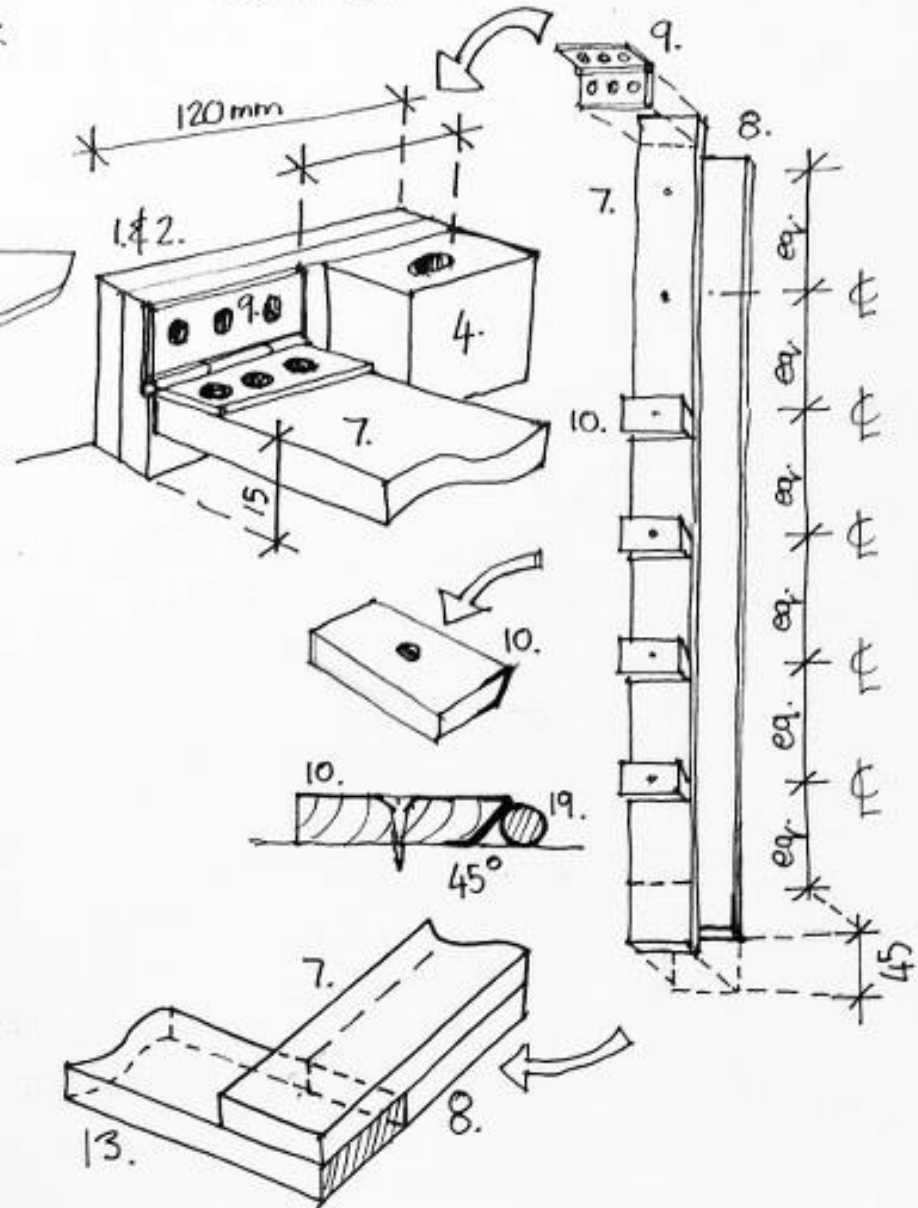
TABLE TOP EASEL



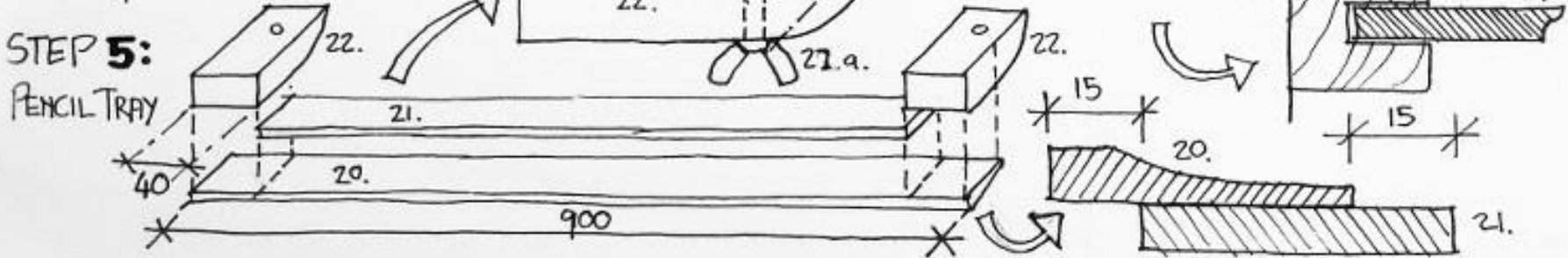
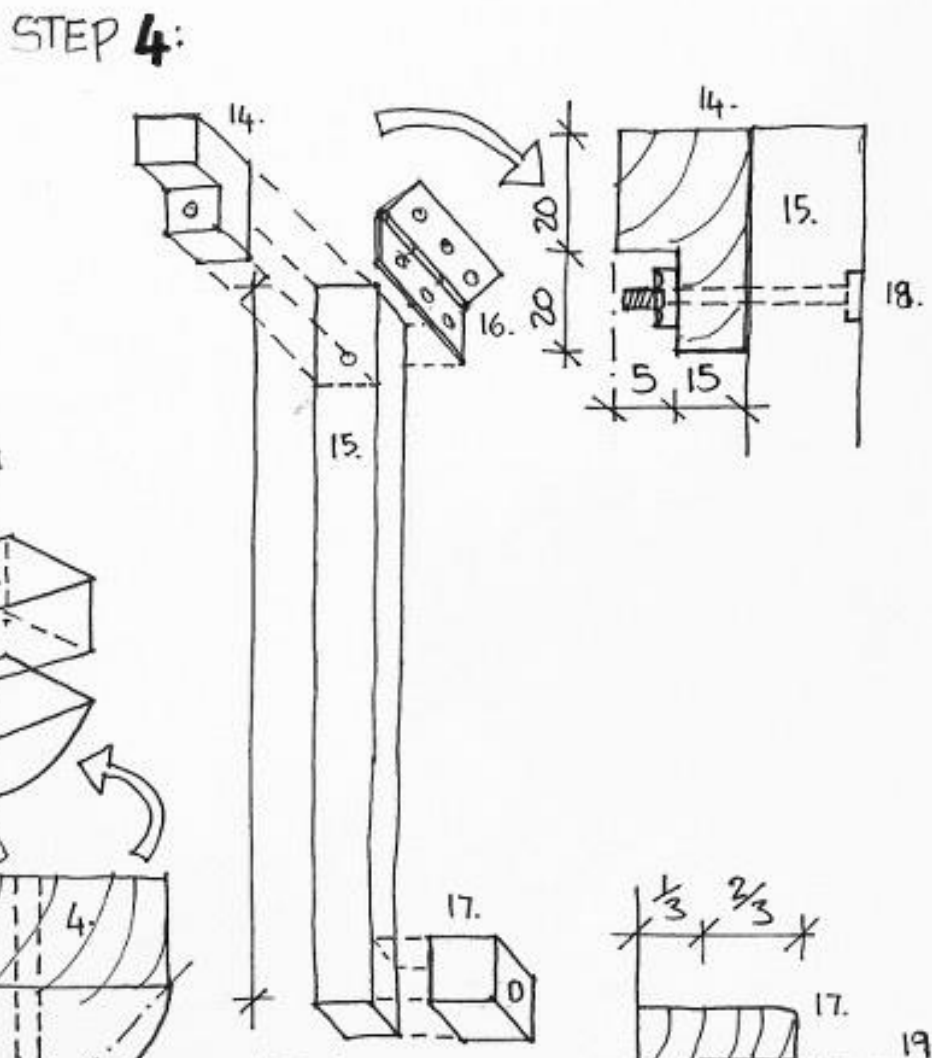
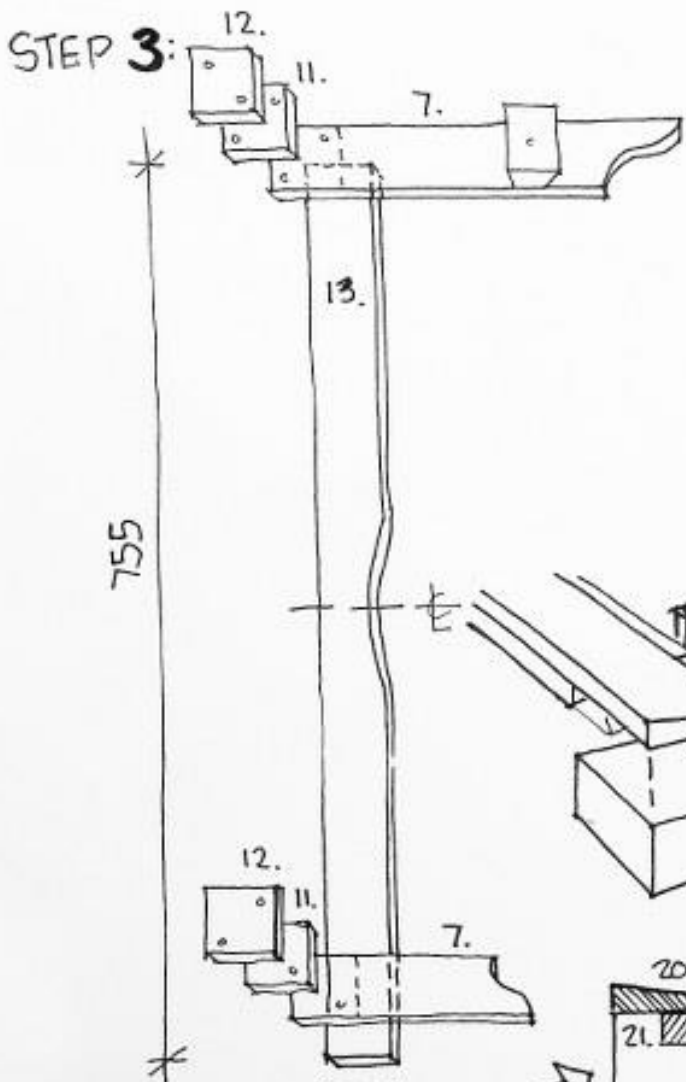
STEP 1:



STEP 2:



DOUBLE UP ALL ITEMS TO USE
ON OPPOSITE SIDE



STEP 6:

