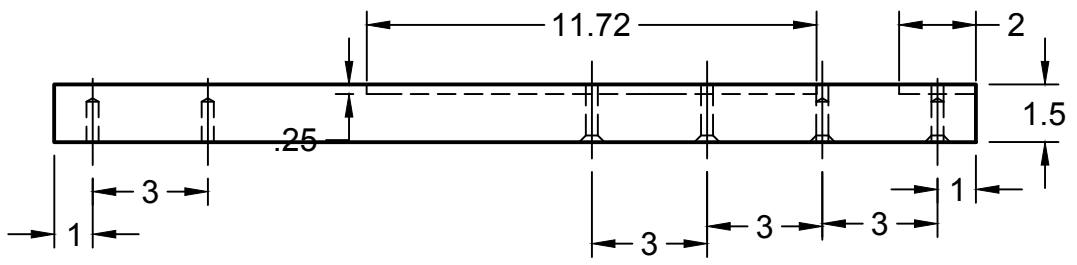
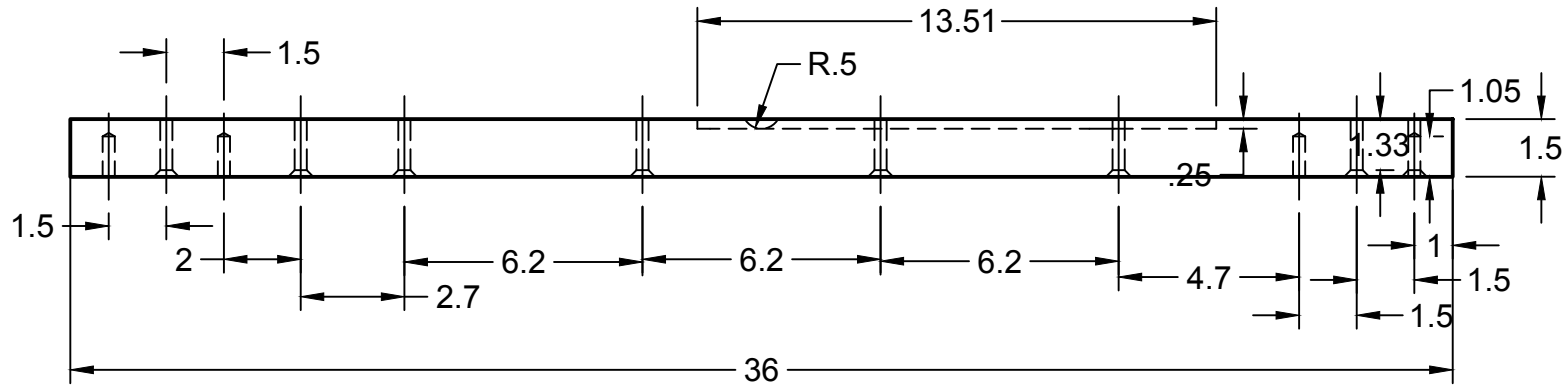
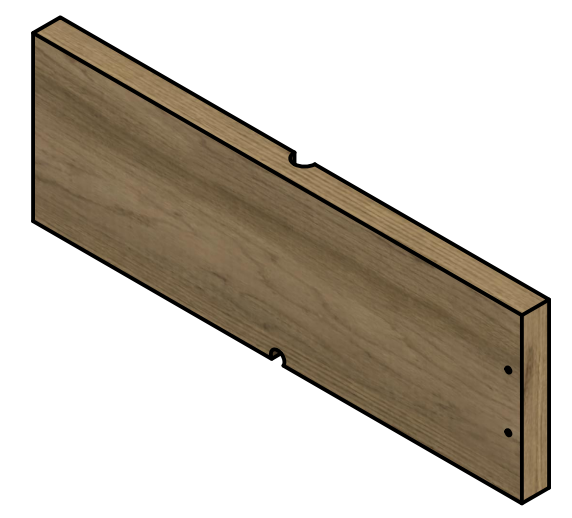
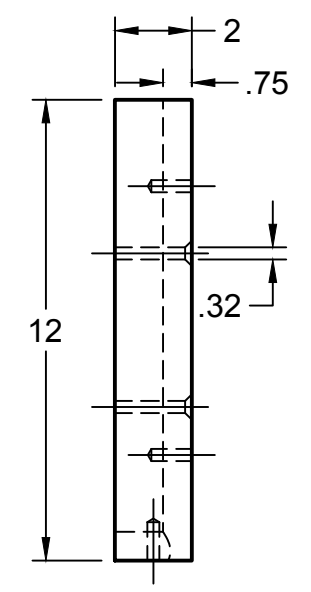
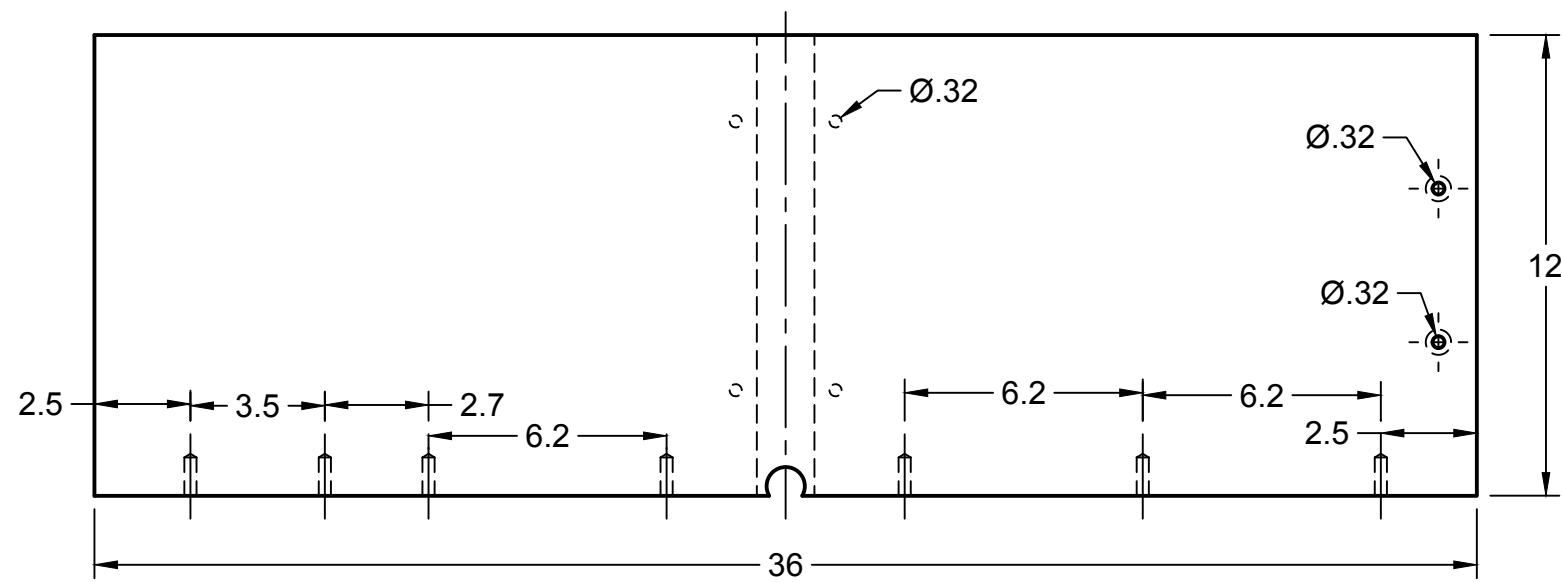


1:7.5 scale

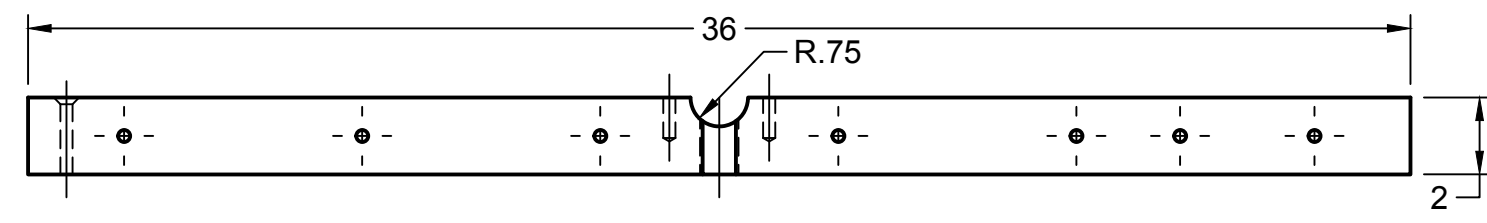
Notes:
Screw Holes (every hole here) are M8 sized.
Material: Wood



		PROJECT		
		Table		
		TITLE		
		Table Parts TABLE PART 1		
APPROVED	SIZE	CODE	DWG NO	REV
CHECKED	B			
DRAWN	Hanming Zhao	10/16/2021	SCALE 1:5	WEIGHT
				SHEET 1/11



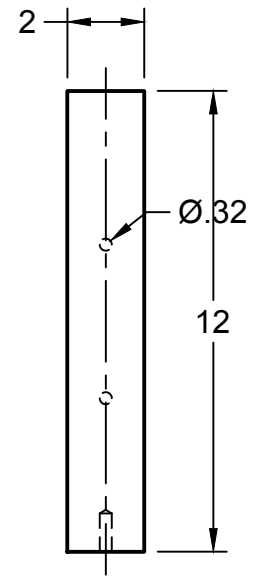
1:10 scale



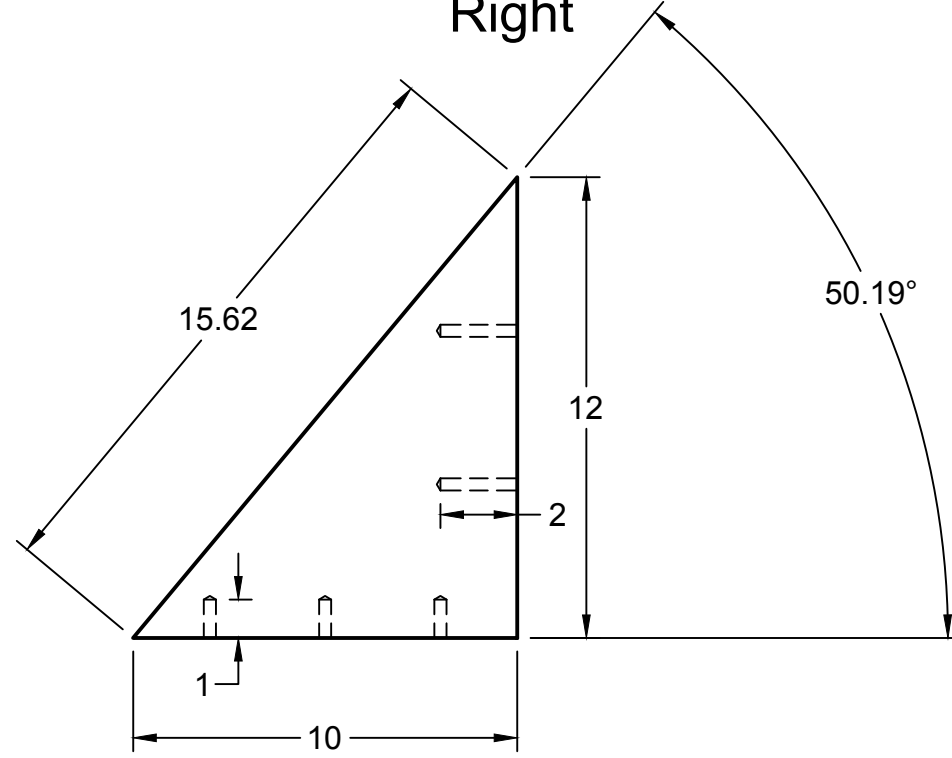
Notes:
 Material: Wood (any type)
 Screw Holes are M4 Sized (aka 0.32 in)

		PROJECT		
		Table		
		TITLE		
		Table Parts TABLE PART 2		
APPROVED	SIZE	CODE	DWG NO	REV
CHECKED	B			
DRAWN	Hanming Zhao 10/16/2021	SCALE 1:6	WEIGHT	SHEET 2/11

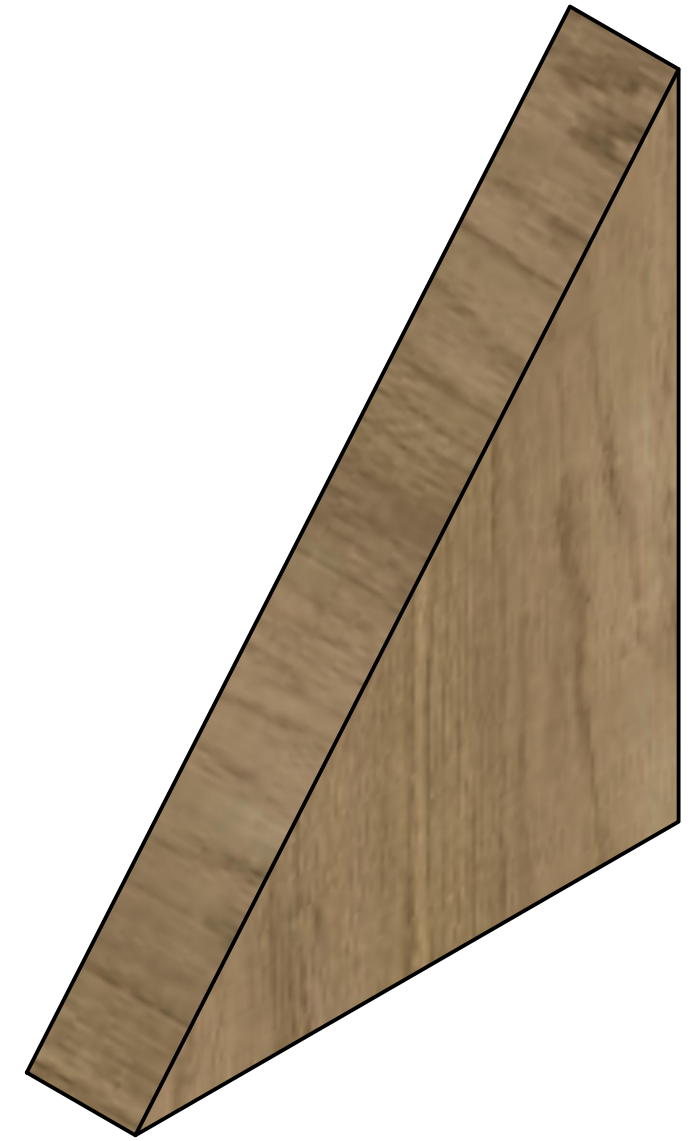
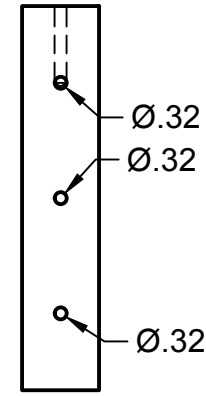
Front



Right



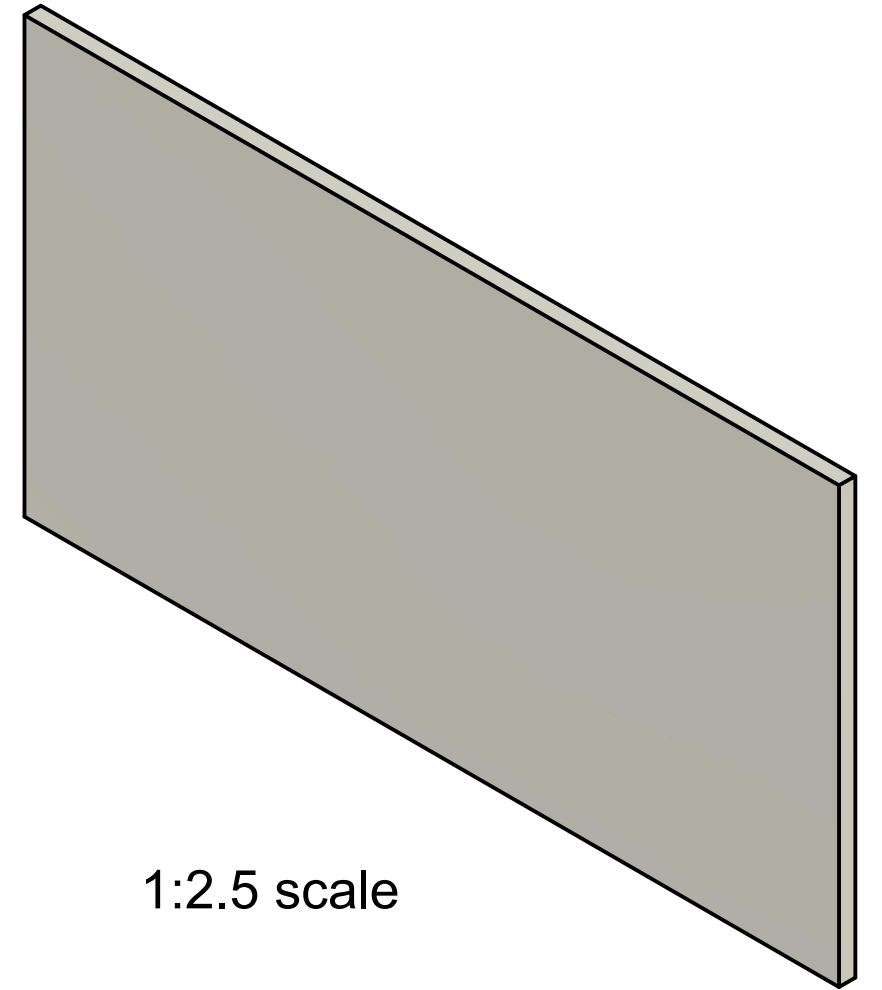
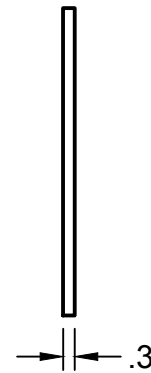
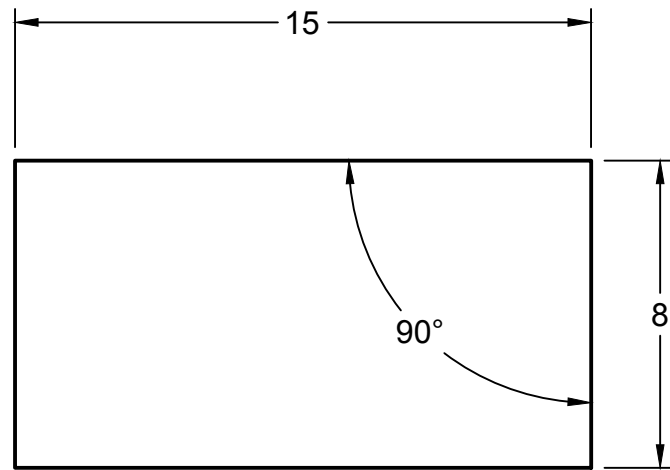
Bottom



1:2.5 scale

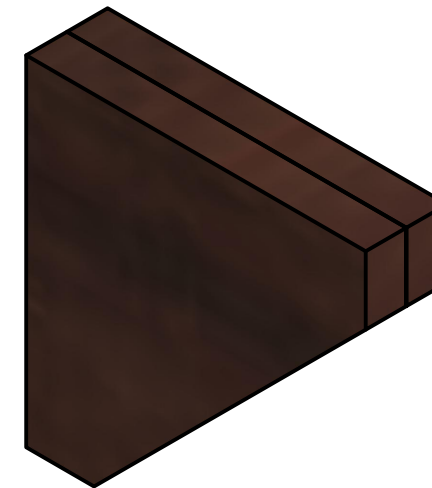
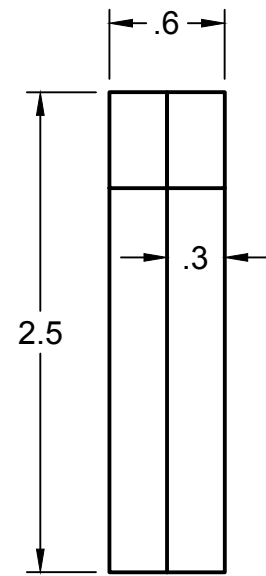
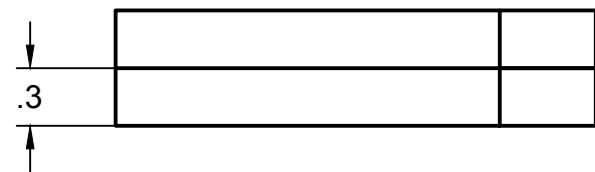
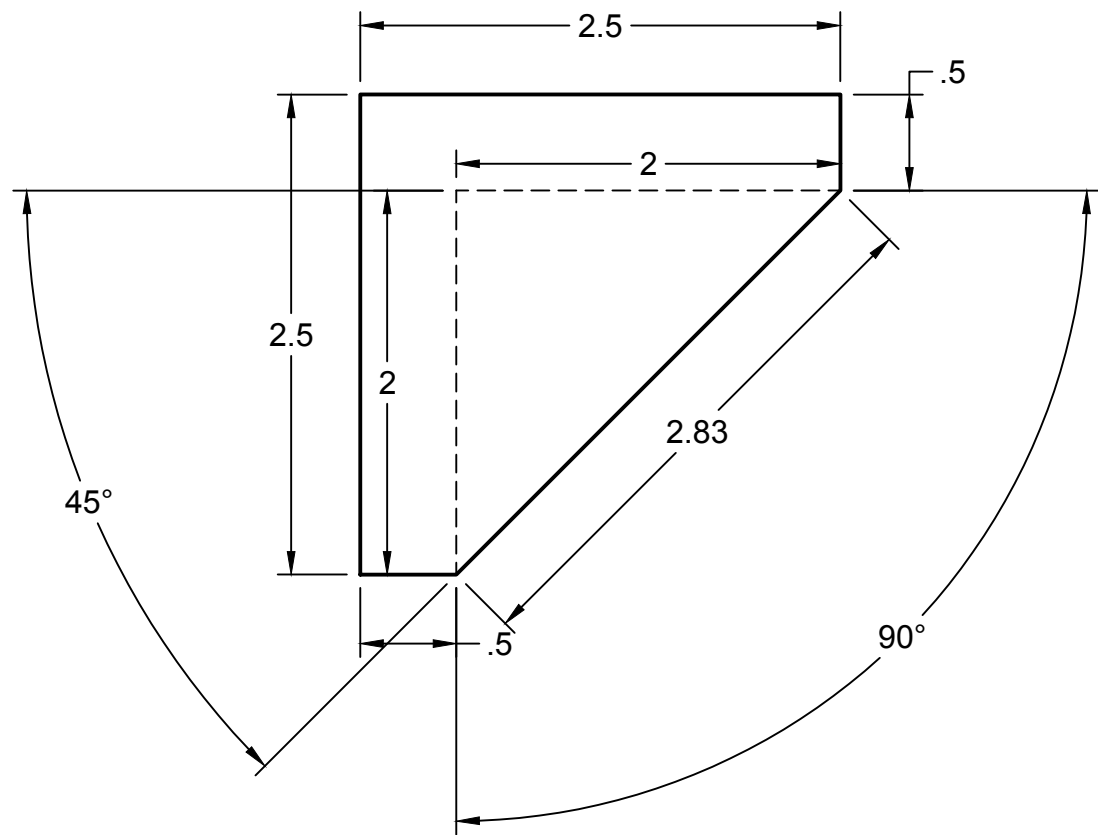
Notes:
 Material: Wood
 Screw Sizes are M8

		PROJECT			
		Table			
		TITLE			
		Table Parts TABLE PART 3			
APPROVED	SIZE	CODE	DWG NO	REV	
CHECKED	B				
DRAWN	Hanming Zhao	10/16/2021	SCALE 1:5	WEIGHT	
			SHEET	3/11	



Notes:
 Whiteboard
 Material:
 Enamel Coated Steel.

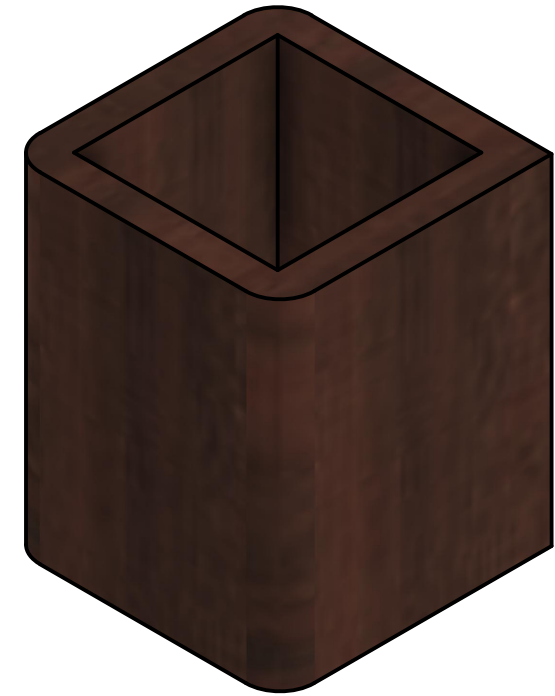
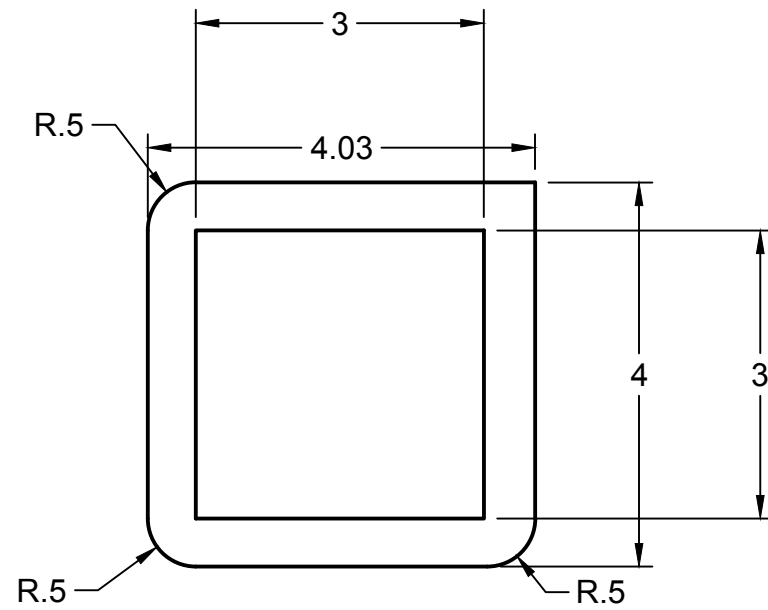
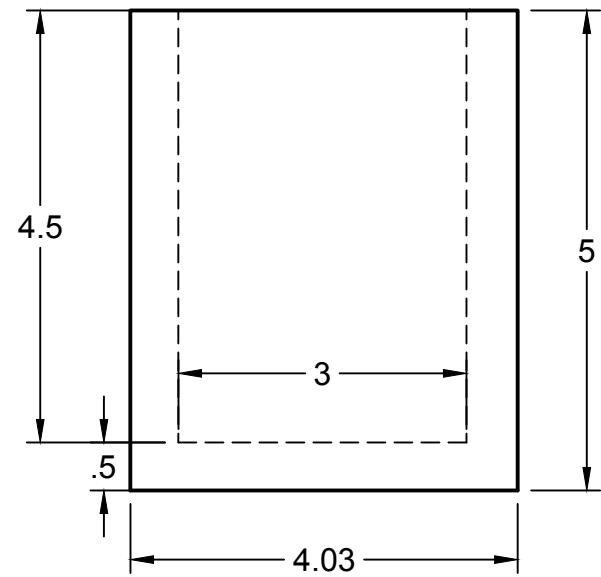
		PROJECT		
		Table		
		TITLE		
		Table Parts		
		TABLE PART 4		
		Whiteboard		
APPROVED	SIZE	CODE	DWG NO	REV
CHECKED	B			
DRAWN	Hanming Zhao 10/16/2021	SCALE 1:5	WEIGHT	SHEET 4/11



Note:
 Make 4.
 Glued Into Place
 upon assembly.
 Use a different type
 of wood.

1:1 scale

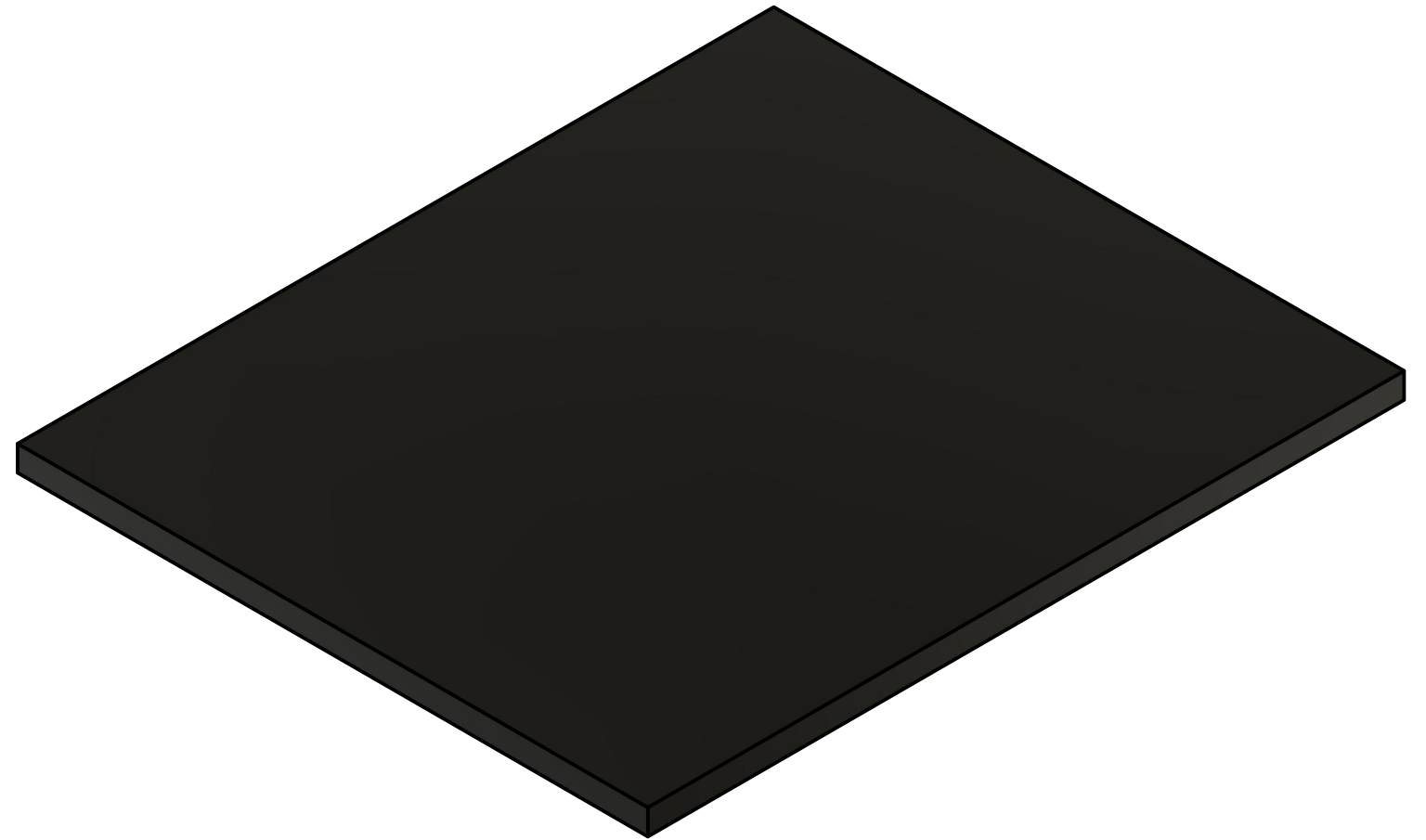
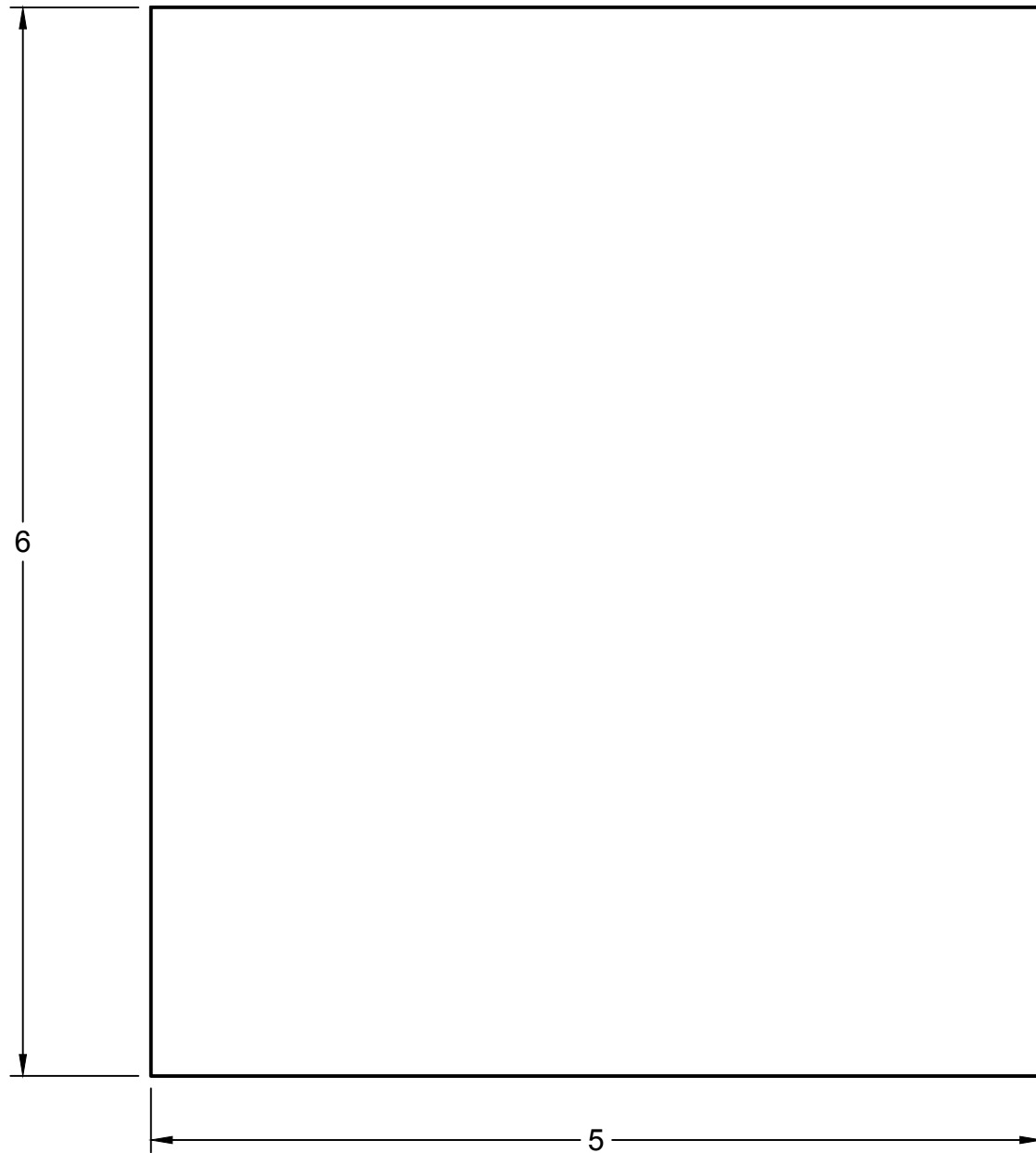
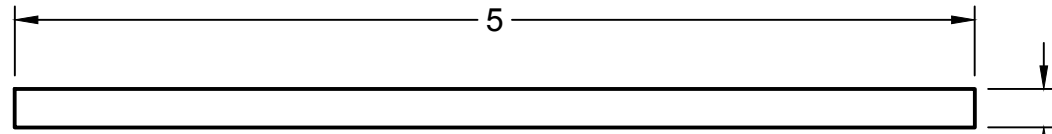
	PROJECT Table			
	TITLE Table Parts TABLE PART 5 Whiteboard			
	APPROVED	SIZE	CODE	DWG NO
CHECKED	B			REV
DRAWN	Hanming Zhao	10/16/2021	SCALE 1:1	WEIGHT
			SHEET 5/11	



1:2 scale

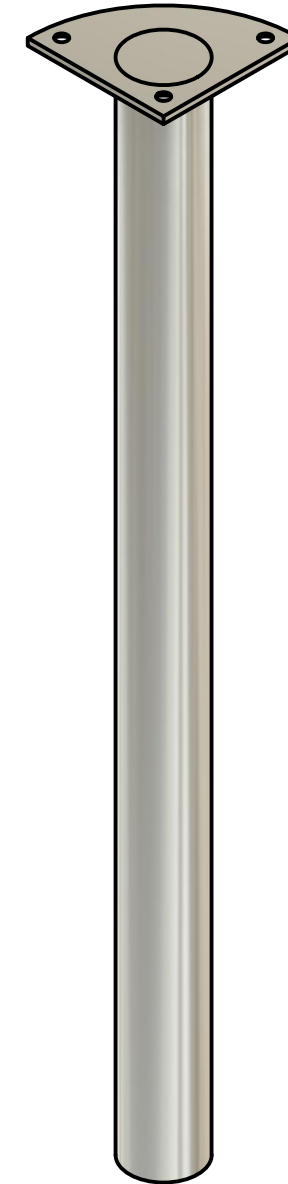
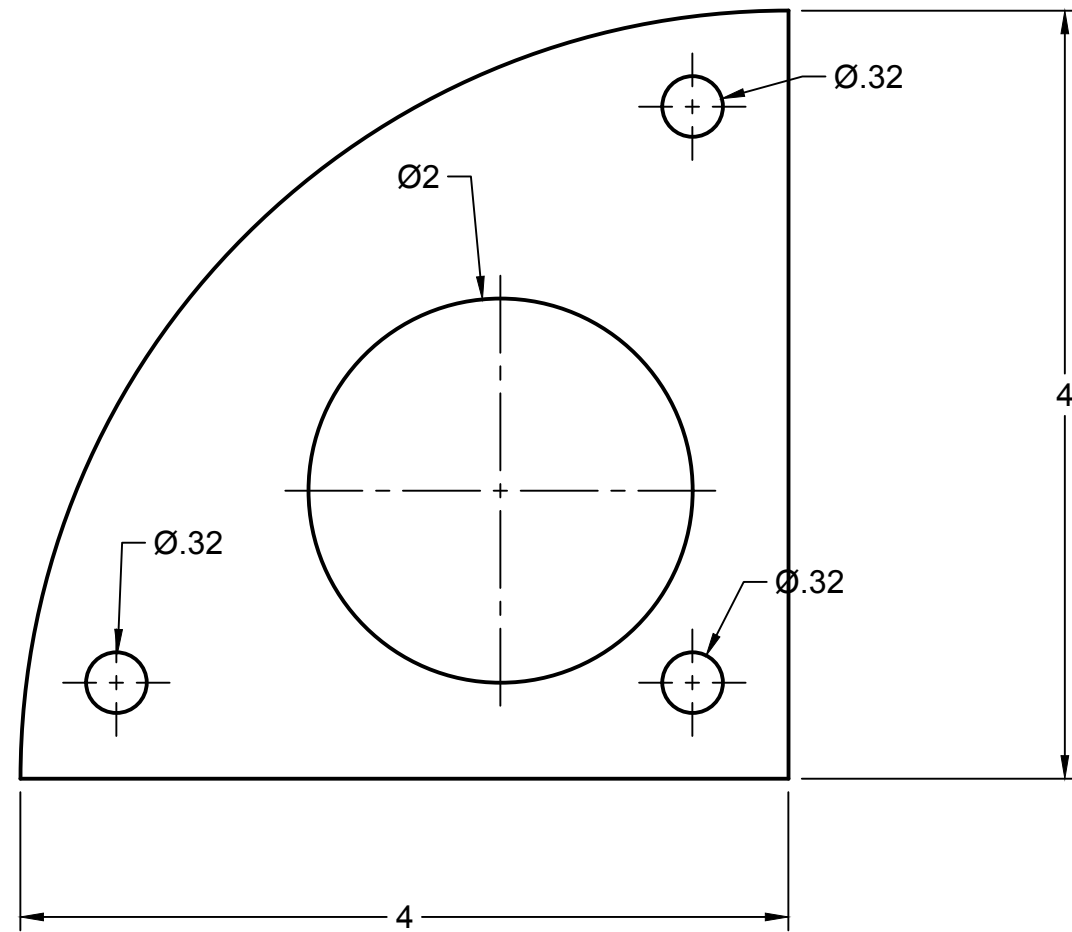
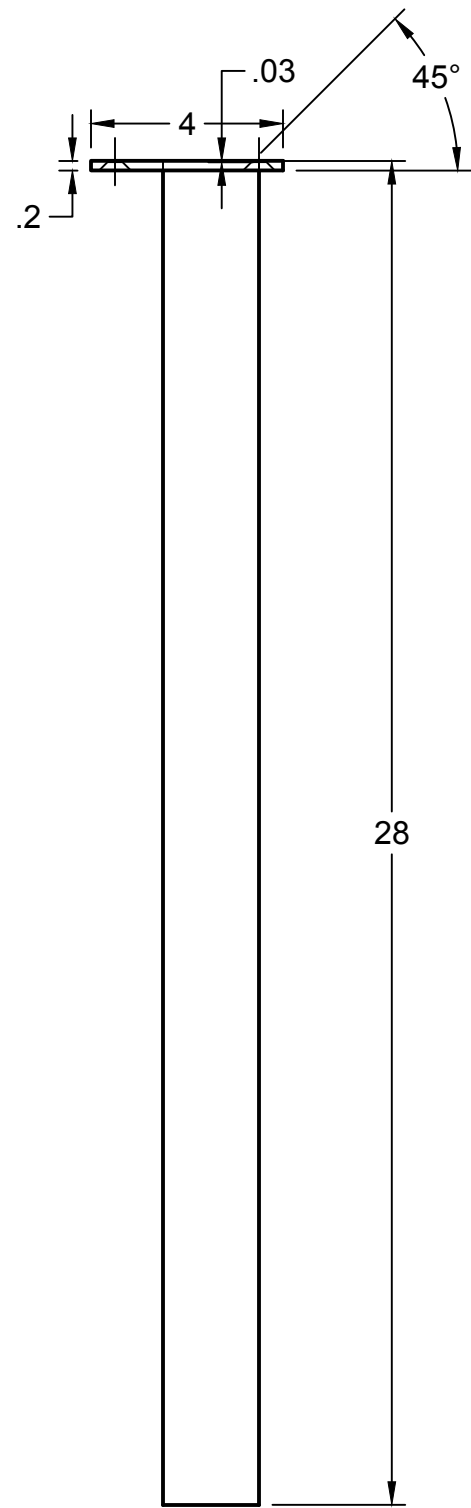
Note: can be glued to table upon assembly.

	PROJECT Table			
	TITLE Table Parts TABLE PART 6 Pencil Container			
	APPROVED	SIZE	CODE	DWG NO
CHECKED	B			REV
DRAWN	Hanming Zhao 10/16/2021		SCALE 1:2	WEIGHT
			SHEET 6/11	



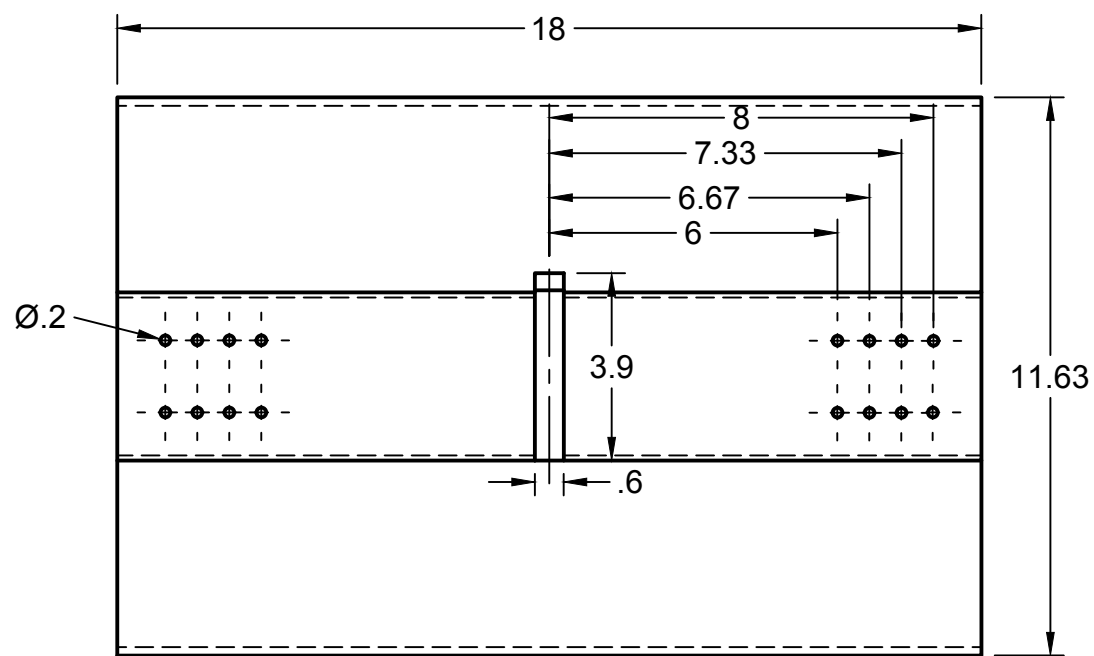
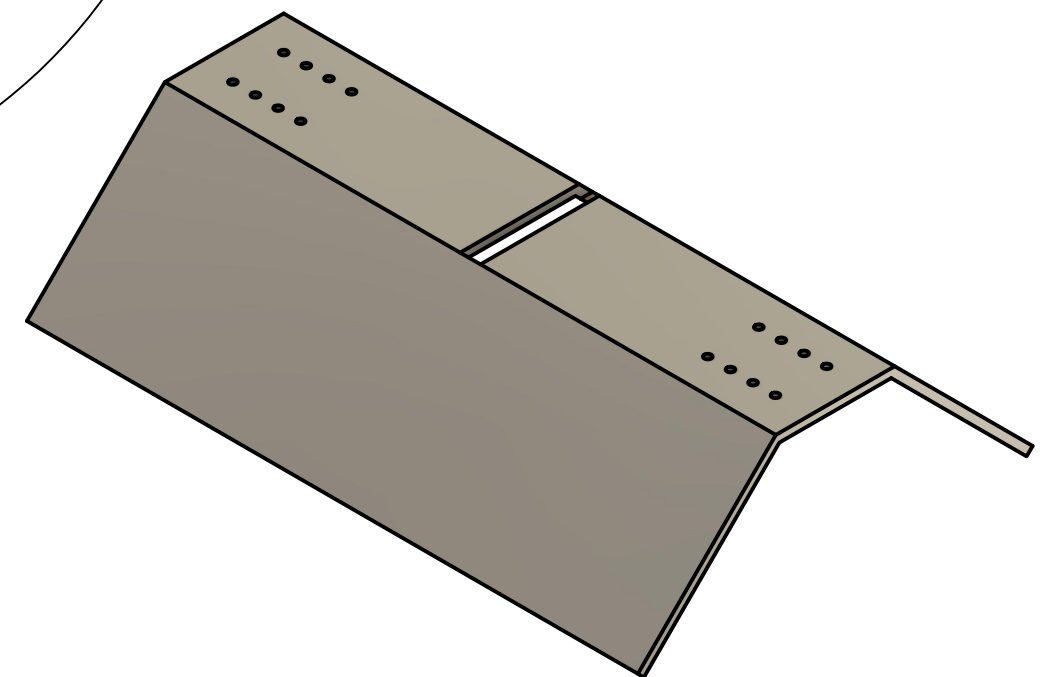
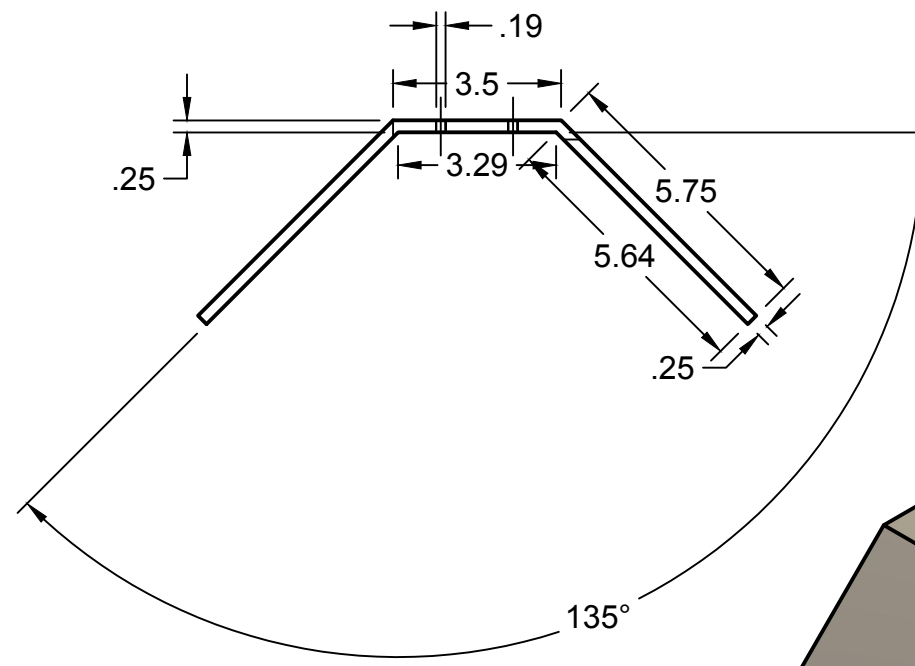
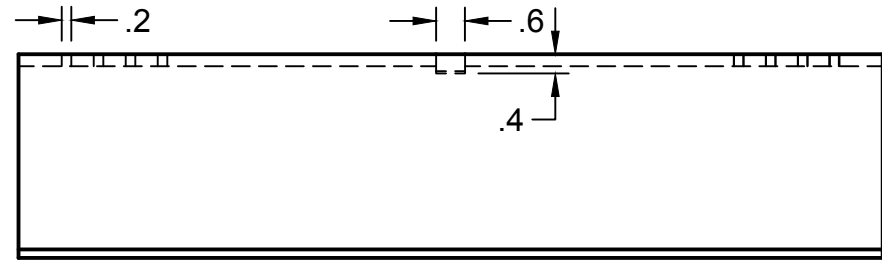
Material: can be anything reasonable
 Can be replaced by your own mousepad.
 usage is optional.

		PROJECT Table		
		TITLE Table Parts TABLE PART 7 Mousepad		
APPROVED	SIZE	CODE	DWG NO	REV
CHECKED	B			
DRAWN	Hanming Zhao 10/16/2021	SCALE 1:1	WEIGHT	SHEET 7/11



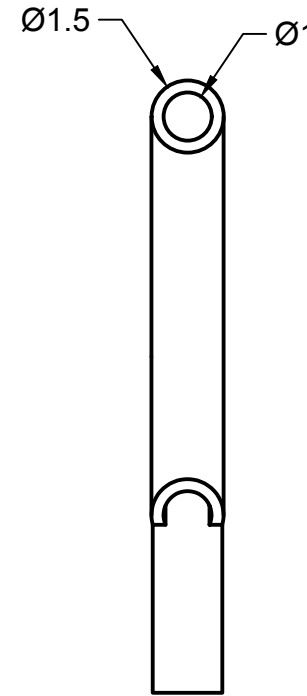
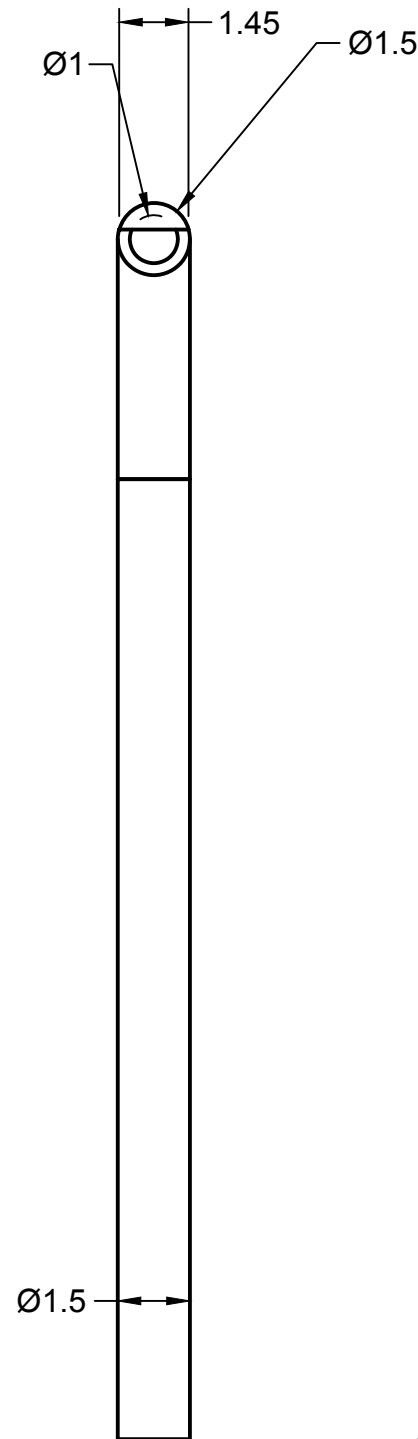
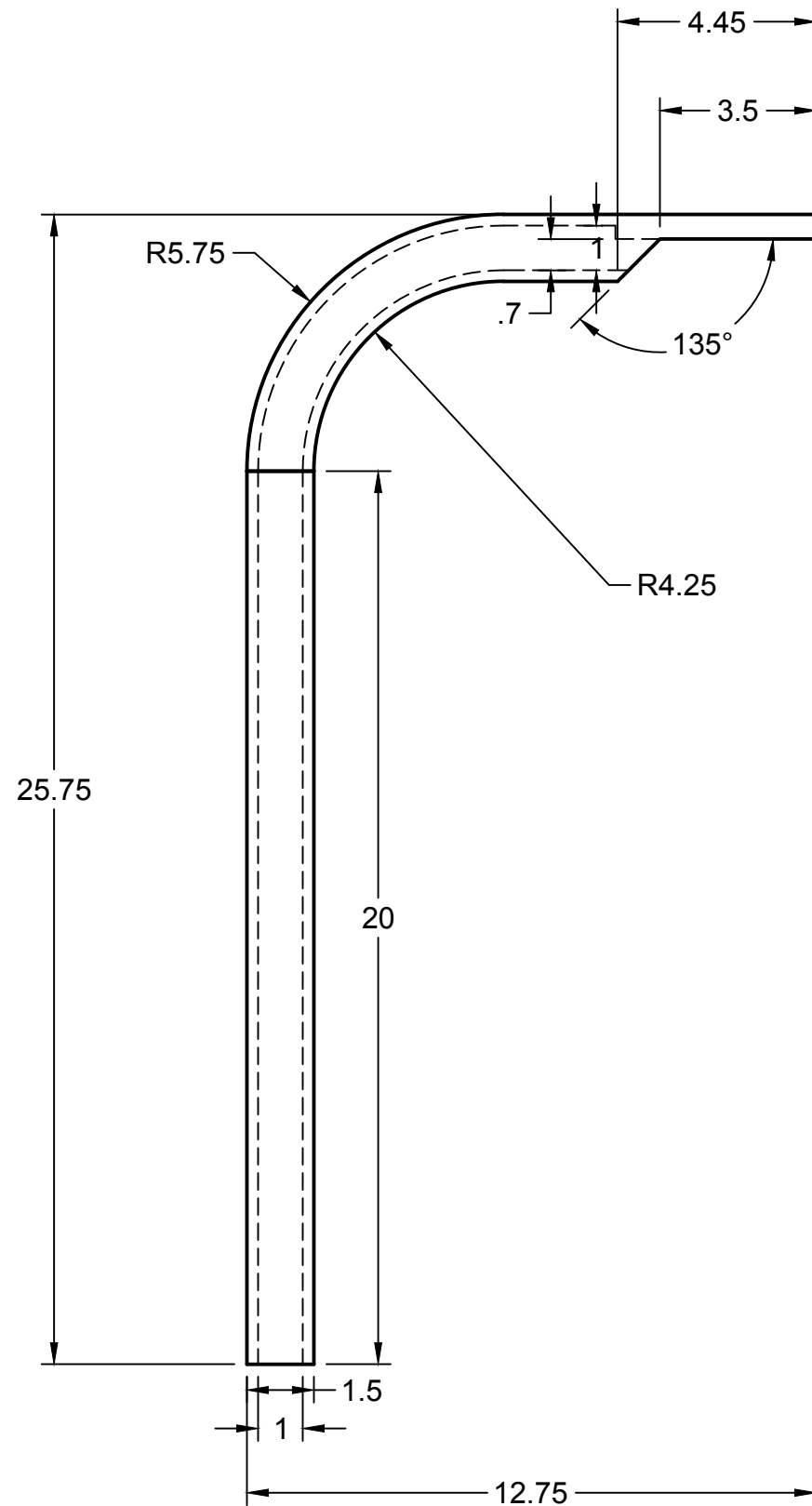
Material: Aluminum/any metal
 parts need to be welded
 Make 4 Per Table.

		PROJECT		
		Table		
		TITLE		
		Table Parts		
		TABLE PART 8		
		Table Legs		
APPROVED	SIZE	CODE	DWG NO	REV
CHECKED	B			
DRAWN	Hanming Zhao 10/16/2021	SCALE 1:4	WEIGHT	SHEET 8/11



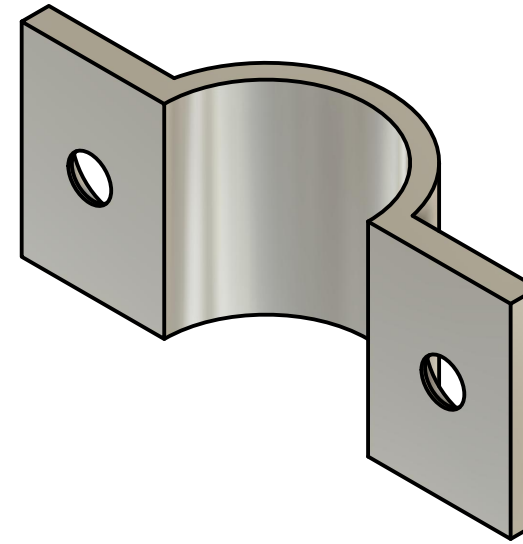
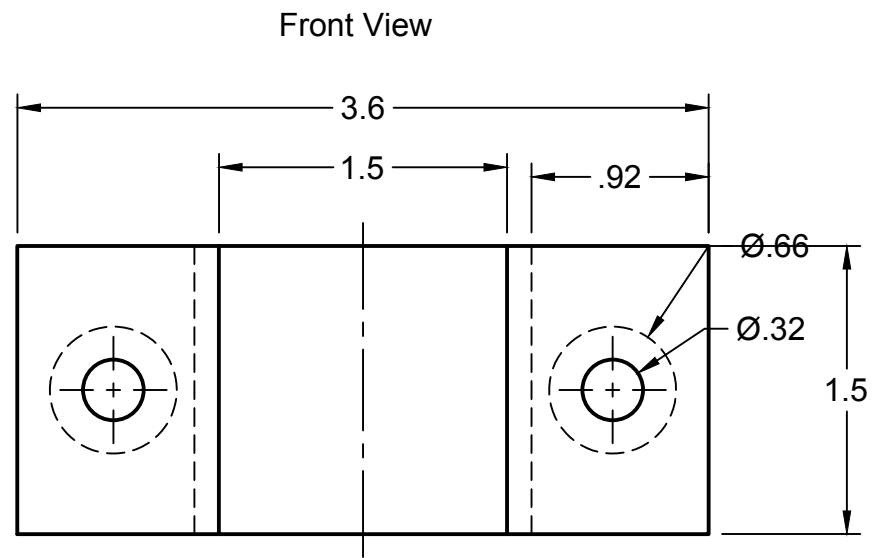
Notes:
 Sides are symmetrical
 Hole Sizes are consistent
 Made Out of Aluminum
 Will Need To install Lighting
 Separately.

		PROJECT		
		Table		
		TITLE		
		Table Parts TABLE PART 9 Lighting System Part 1		
APPROVED	SIZE	CODE	DWG NO	REV
CHECKED	B			
DRAWN	Hanming Zhao 10/16/2021	SCALE 1:4	WEIGHT	SHEET 9/11

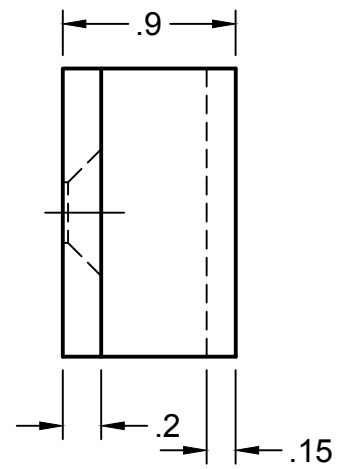


Notes:
Is Hollow.
Made Of aluminum

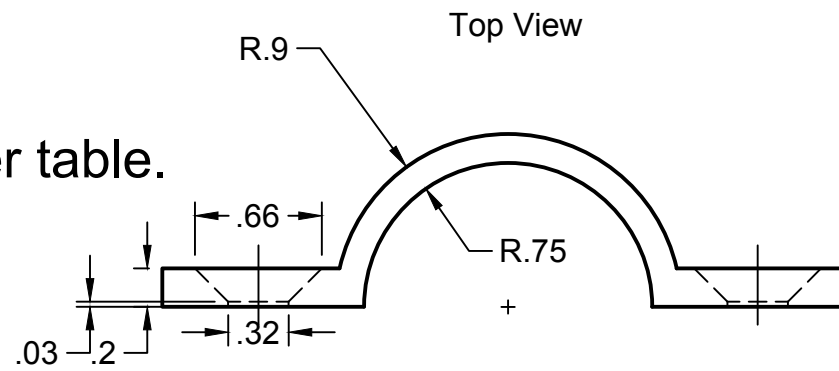
		PROJECT Table		
		TITLE Table Parts TABLE PART 10 Lighting System Part 2		
APPROVED		SIZE	CODE	DWG NO
CHECKED		B		
DRAWN	Hanming Zhao 10/16/2021	SCALE	1:4	WEIGHT
				SHEET 10/11
				REV



Right View



Notes:
 Material:
 Aluminum
 Make 2 per table.



	PROJECT Table			
	TITLE Table Parts TABLE PART 11 Lighting System Part 3 (attachment piece)			
APPROVED	SIZE	CODE	DWG NO	REV
CHECKED	B			
DRAWN	Hanming Zhao 10/16/2021	SCALE 1:2	WEIGHT	SHEET 11/11