

# TABLE ASSEMBLY INSTRUCTIONS

Important! Screw holes are for reference only. drill pilot holes instead.

M8 screw lengths are in inches, but that doesn't make sense. you'll need to use 30mm,60mm,and100mm M8 screws respectively

Take Necessary Safety measures.

## Parts You'll Need

-16 30mm M8 Screws

-12 60mm M8 Screws

-2 100mm M8 Screws

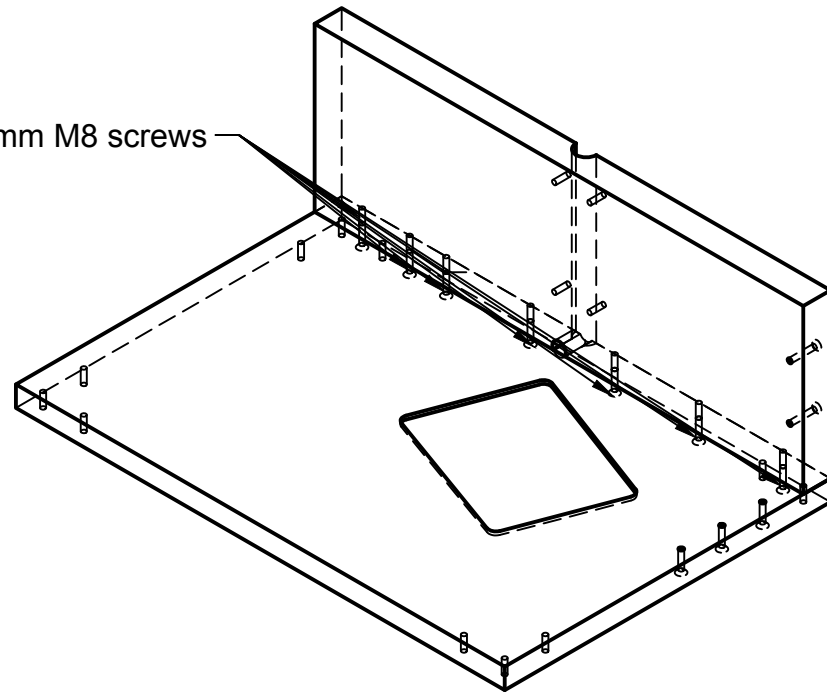
Glue

Rubber Padding (if needed)

# Step 1

Screw In 60mm M8 screws

Assemble Part 1 and 2.

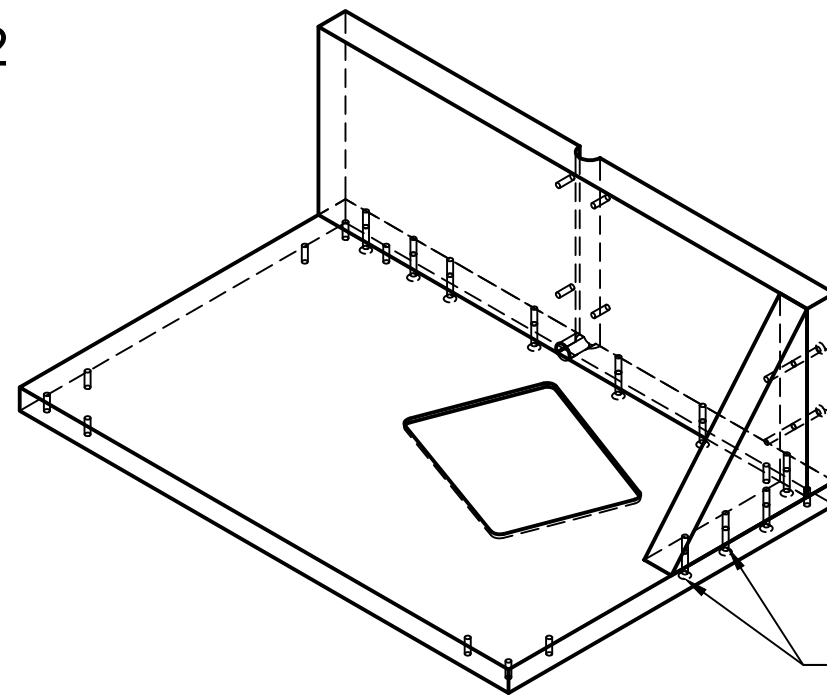


# Step 2

Add Part 3

Use 100mm M8 screws

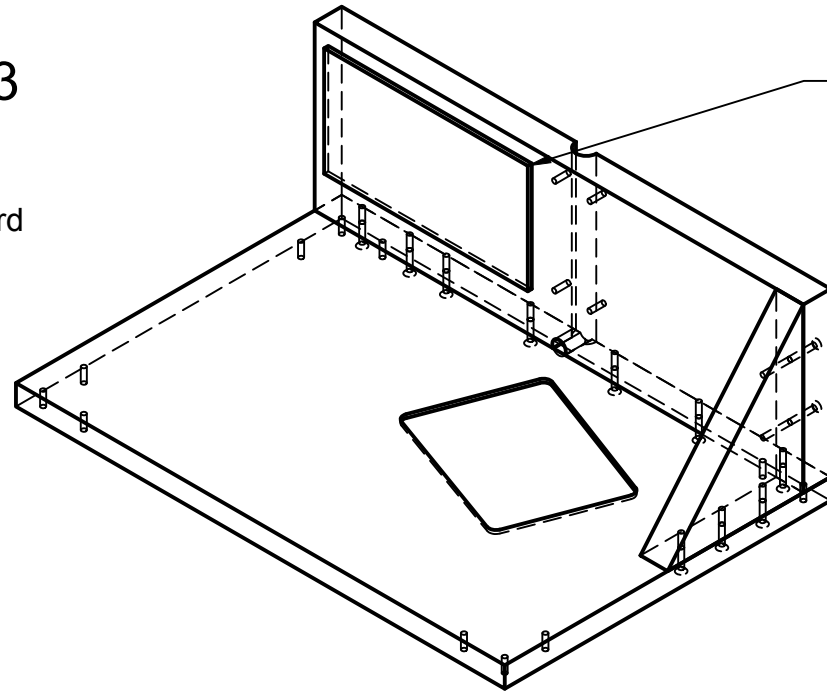
Use 60mm M8 screws



# Step 3

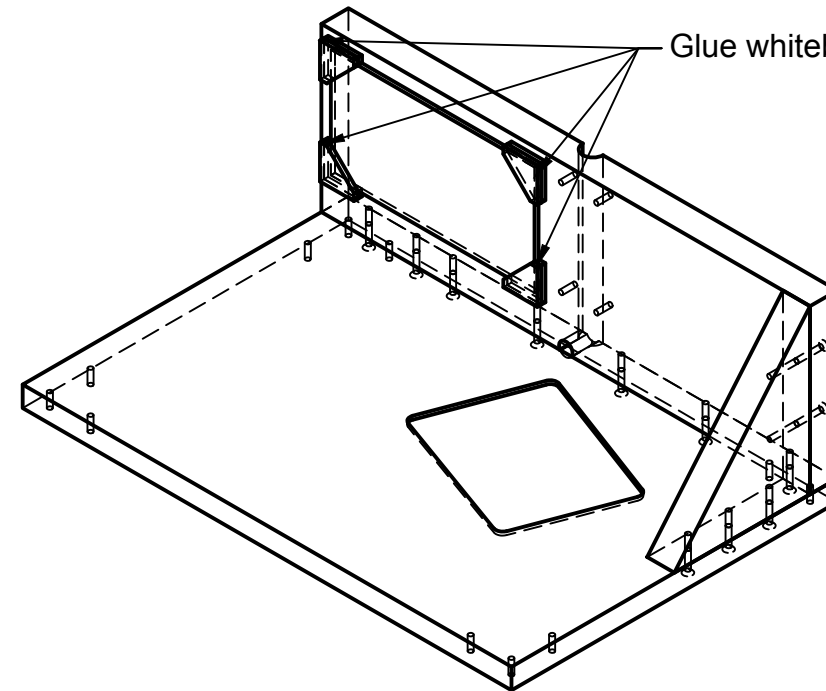
Add Whiteboard

Glue Whiteboard to frame If possible



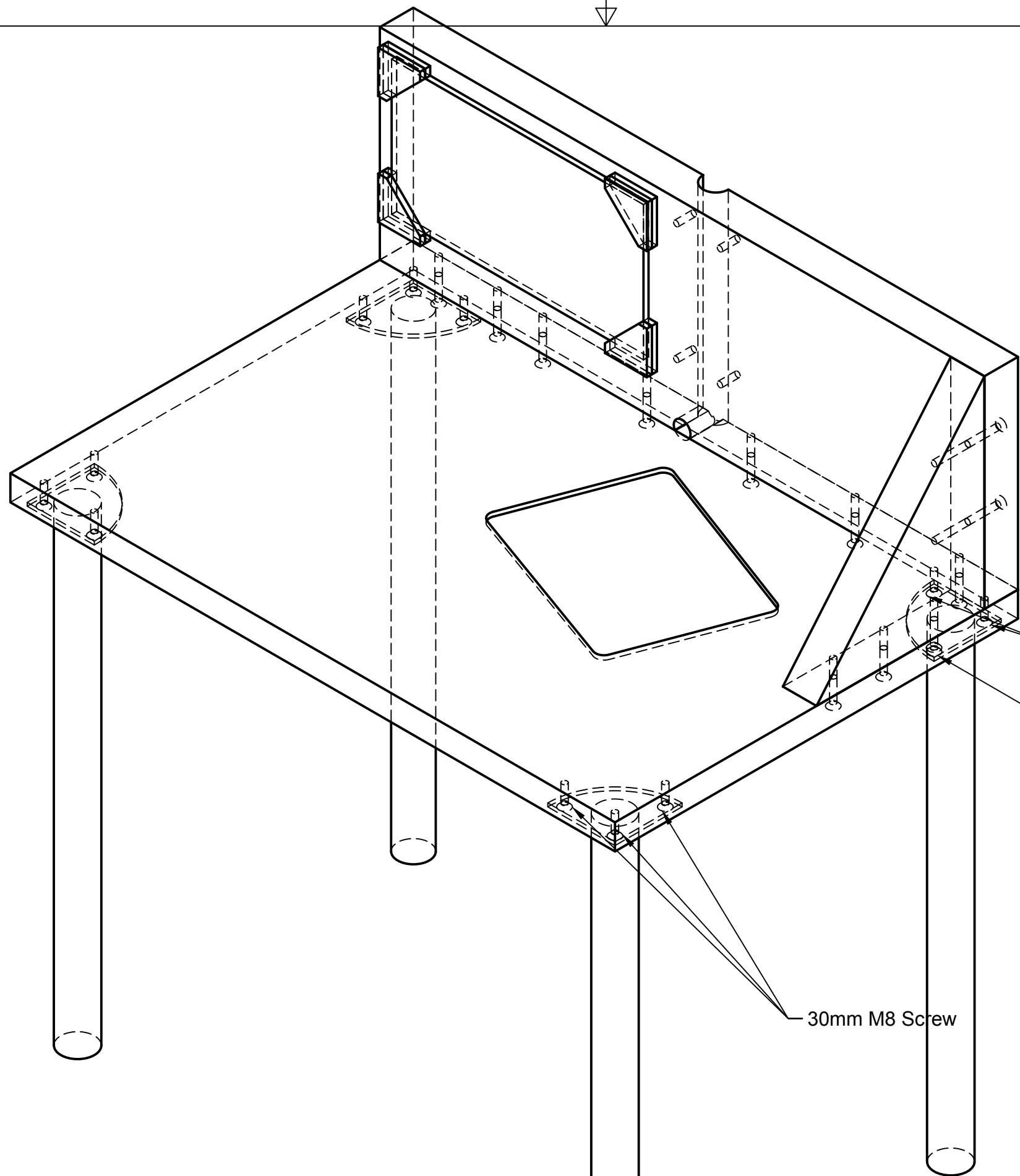
# Step 4

Glue whiteboard frame pieces to desk



# STEP 5

Add Legs



Note:  
Repeat step for other two legs.  
Note one screw hole requires a 60mm screw

Use 30mm M8 Screw

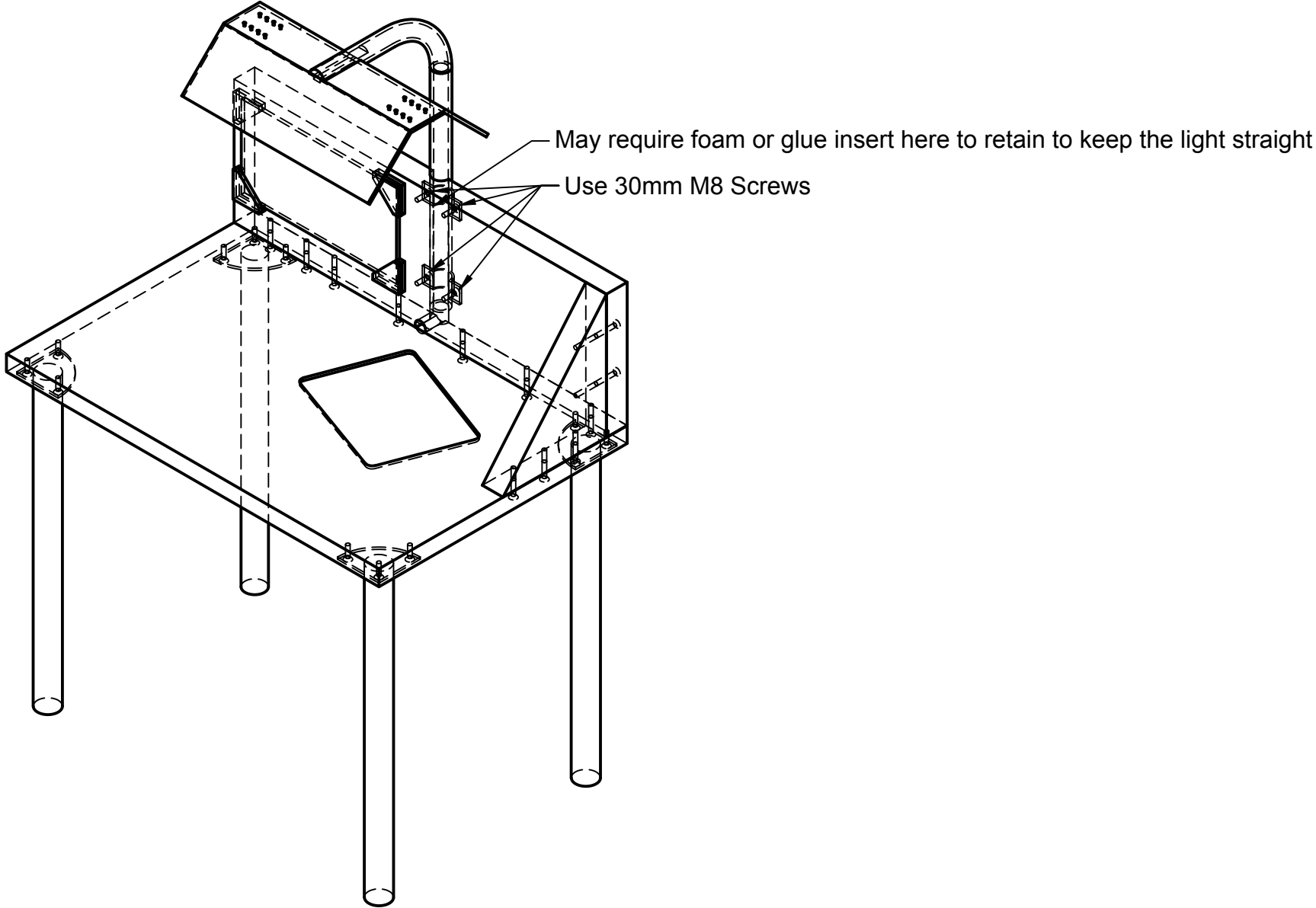
Use 60mm M8 Screw

30mm M8 Screw

# Step 6: Assemble lighting system

**Important Notice:**

Lighting is NOT included. Use tube lighting that does not exceed 18 in total. minimum length 12 in.



## STEP 10 (not shown)

Add Mousepad and/or pencil box