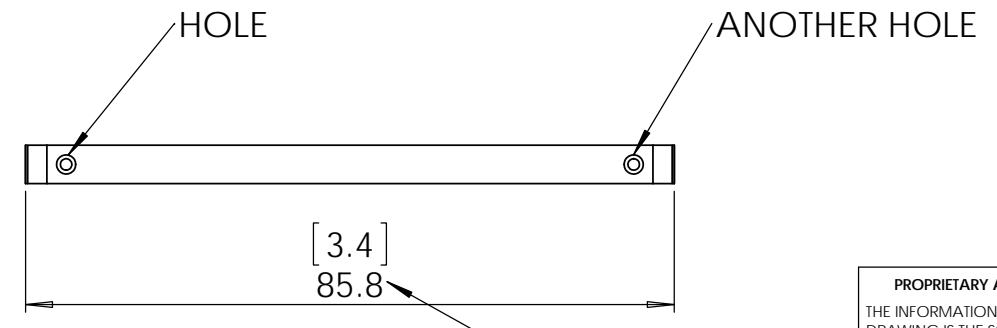


FRONT VIEW

ISO VIEW



PROPRIETARY AND CONFIDENTIAL
 THE INFORMATION CONTAINED IN THIS DRAWING IS THE SOLE PROPERTY OF MAKERNEER. ANY REPRODUCTION IN PART OR AS A WHOLE WITHOUT THE WRITTEN PERMISSION OF MAKERNEER IS PROHIBITED.

| | | | | | | | |
|-------------|---------|---|--|---------------|-----------|------------|--|
| | | UNLESS OTHERWISE SPECIFIED: | | NAME | DATE | | |
| | | DIMENSIONS ARE IN INCHES TOLERANCES: FRACTIONAL ± LESS THAN 1 ANGULAR: MACH ± 1.2 (FAST!) TWO PLACE DECIMAL ± .00? THREE PLACE DECIMAL ± .000? | | DRAWN | M.NEER | 3/23/16 | TITLE: 3D PRINTED SPINNING EGG ASSY |
| | | | | CHECKED | E.BUNNY | 3/27/16 | |
| | | | | ENG APPR. | S.PATRICK | 3/17/16 | |
| | | | | MFG APPR. | C.CRINGLE | 12/25/15 | |
| | | INTERPRET GEOMETRIC TOLERANCING PER: MATHING | | Q.A. | P.PHIL | 2/2/16 | SIZE DWG. NO. REV B NO.? YES! 5 |
| NEXT EASTER | EASTER | MATERIAL PLASTIC | | COMMENTS: | | | |
| NEXT ASSY | USED ON | FINISH YEAH I'M FINISHED | | HAPPY EASTER! | | | |
| APPLICATION | | DO NOT SCALE DRAWING | | | | SCALE: 1:1 | WEIGHT: <small>APPROX. 0.001 LB</small> |
| | | | | | | | SHEET 1 OF 1 |