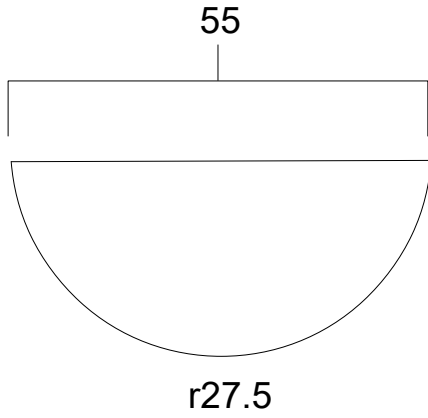
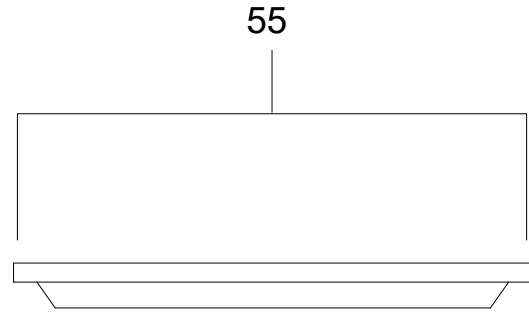


Top view



(units:mm)

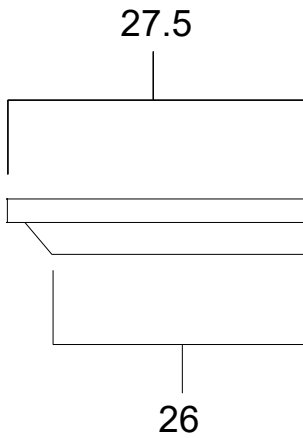
Front view



Scale 2:1 (units:mm)

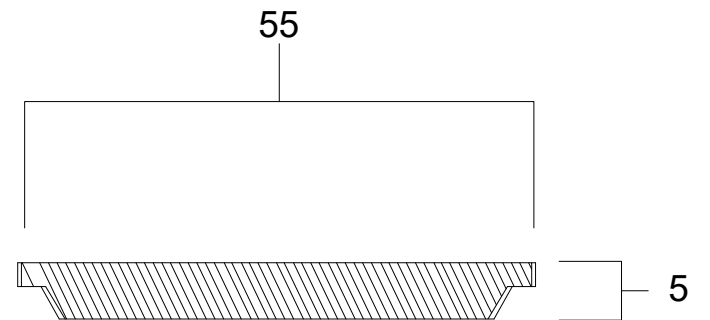
Scale 2:1

Right view



(units:mm)

Cross section



Scale 2:1 (units:mm)

Scale 2:1