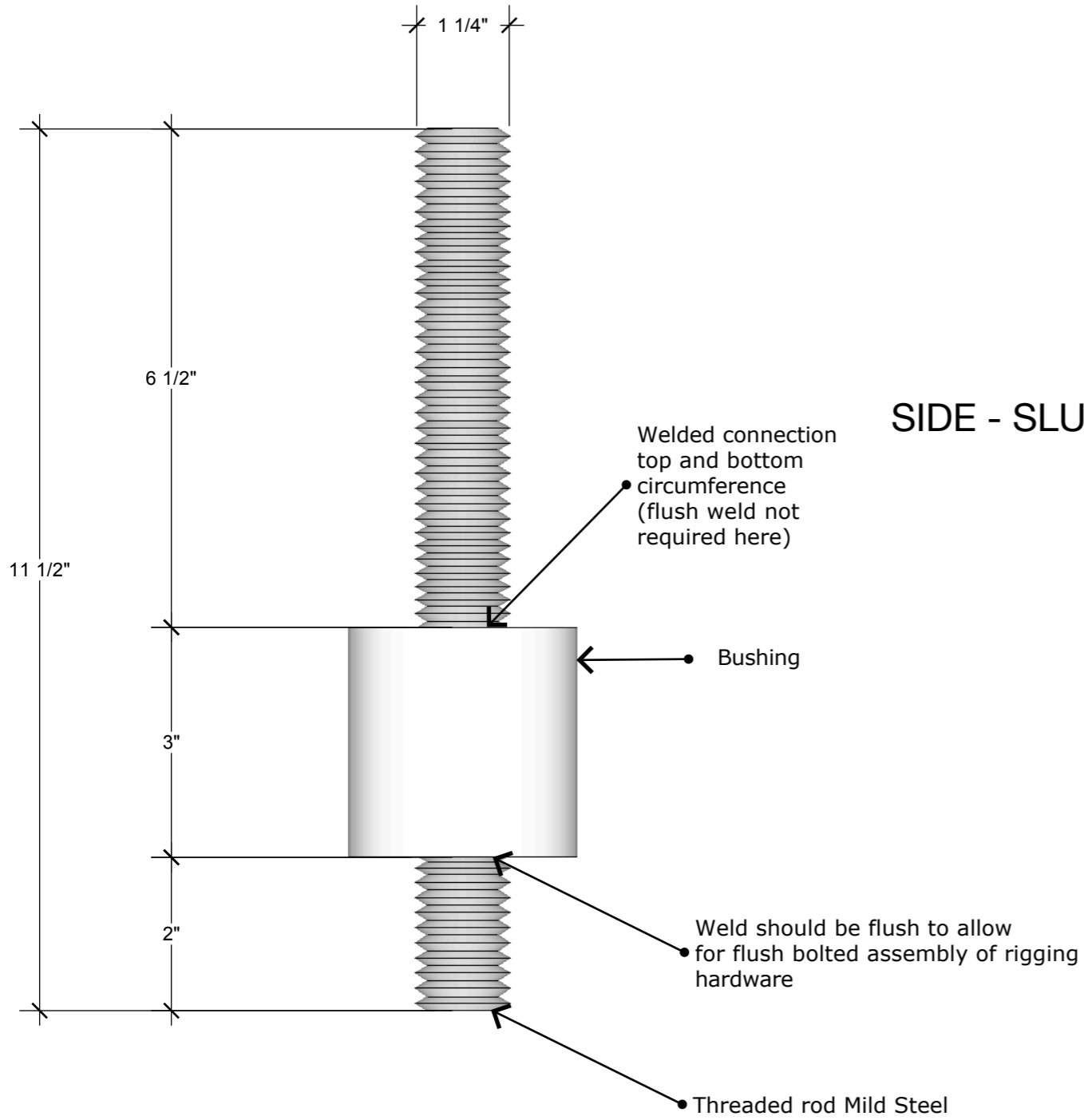
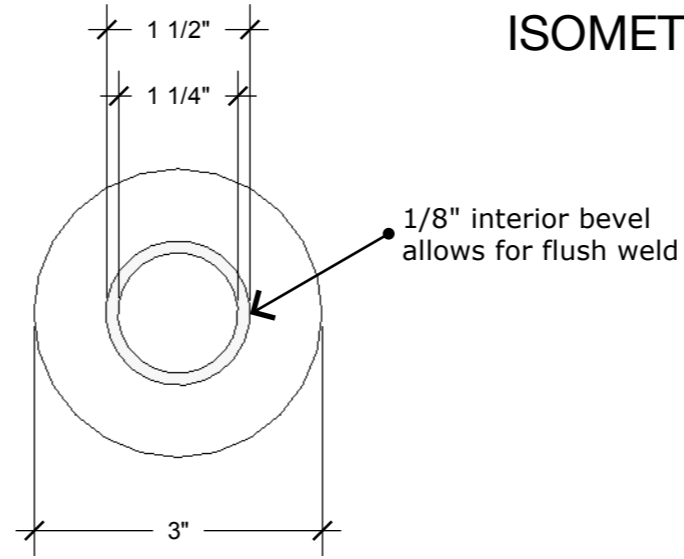




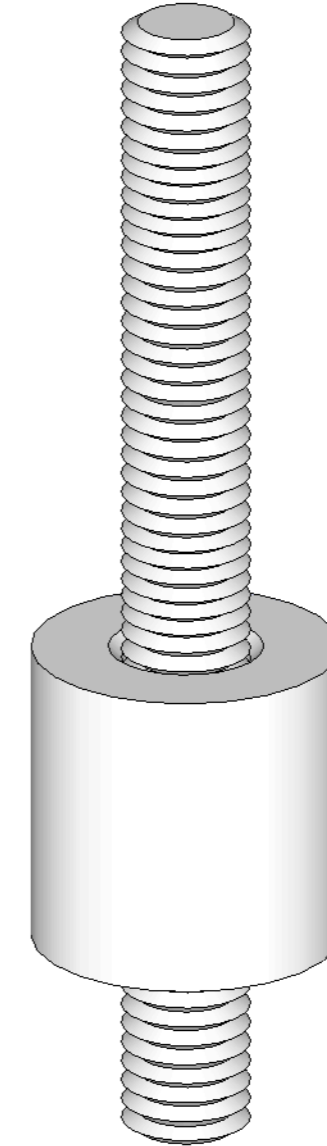
SIDE - ASSEMBLY



TOP



ISOMETRIC



SIDE - SLUG



QTY: N/A MATERIAL: Mild Steel 4045

- T.A.B.
A 6" = 1'

CLIENT
Ido

5.14.2014
RE-ISSUE
5.21.2014

PROJECT NO.
1
FLimb

DRAWN BY
DDF
DESCRIPTION
Isometric

