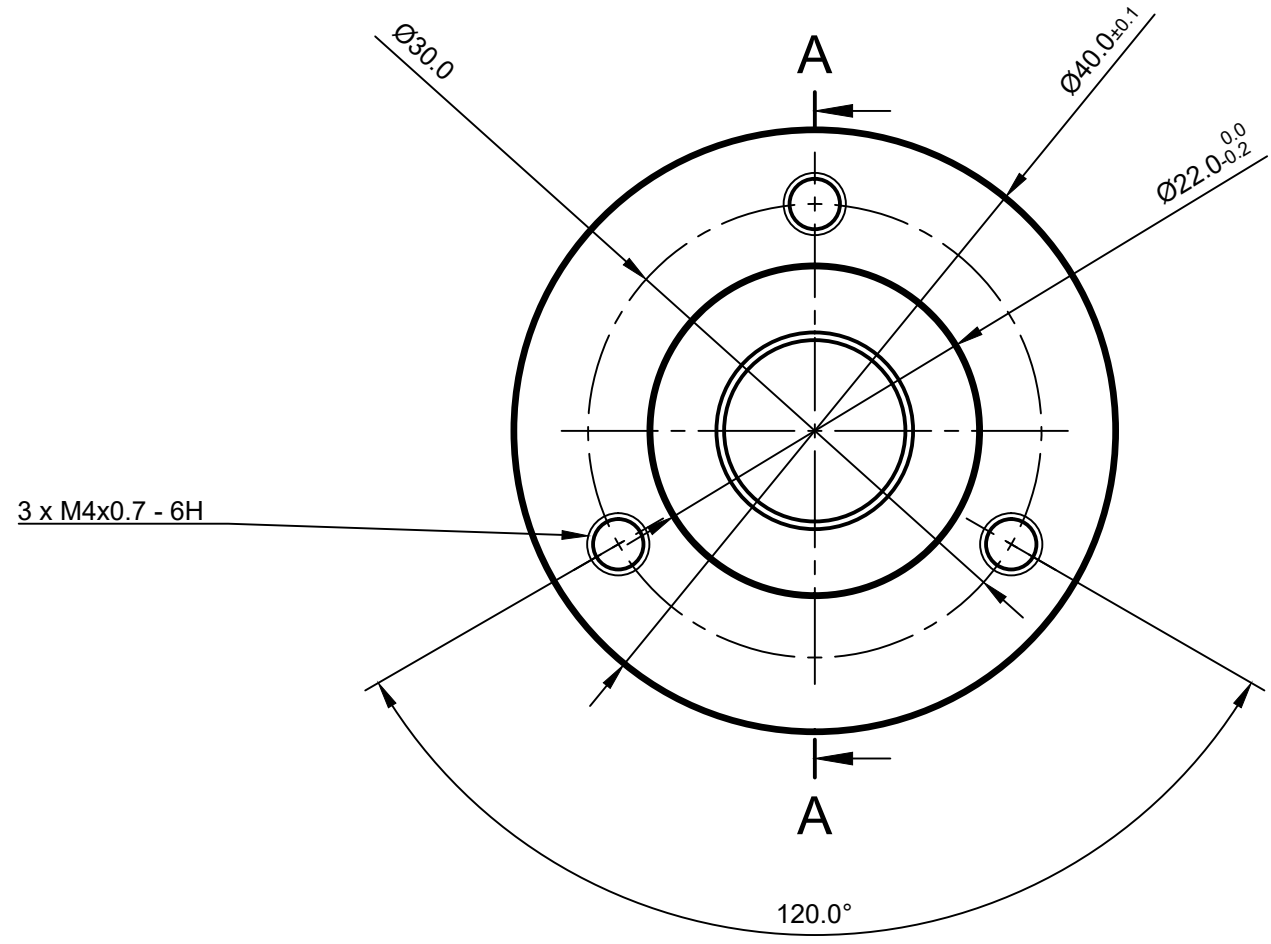
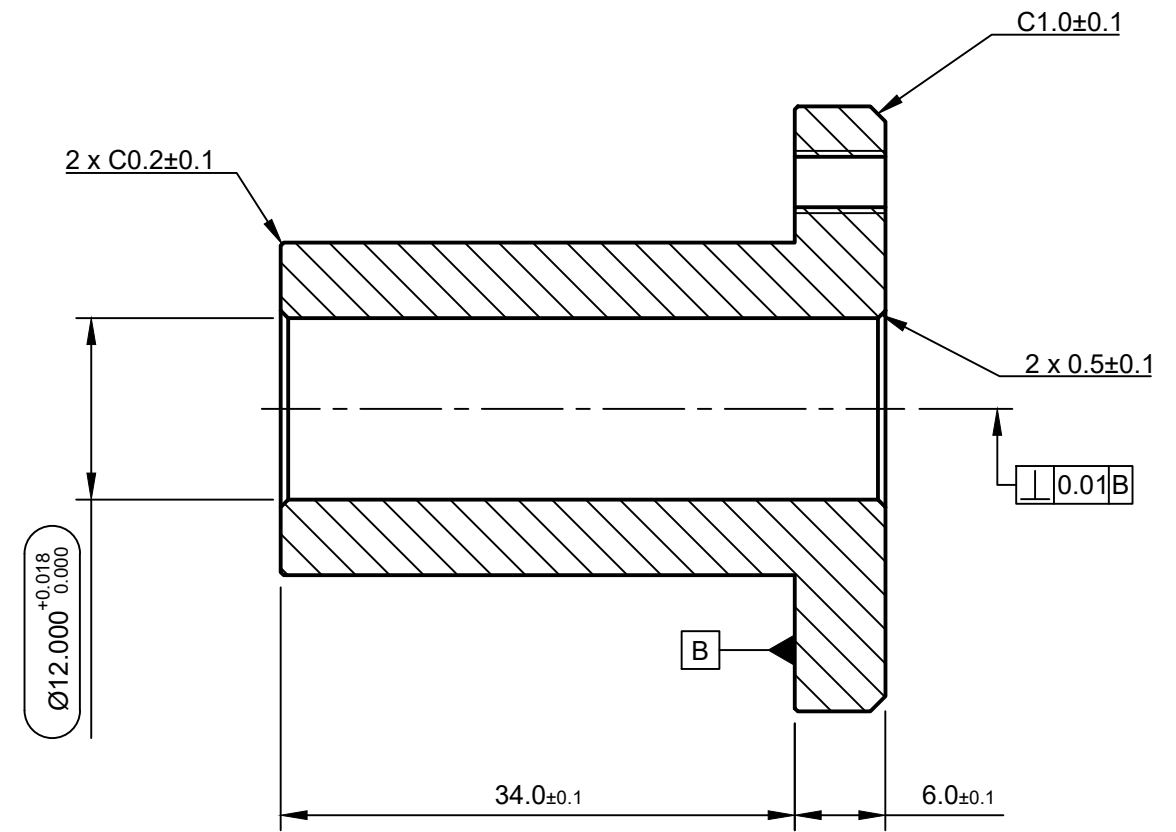


HISTORY		
REVISION	DESCRIPTION	DATE
0.1	First Edition	14/05/20
0.2	Boss Thickness	14/05/20
0.3	Increased Length	25/05/20
0.4	Tolerance Updated	22/06/20
0.5	Tolerance Updated	17/07/20



A-A (2:1)



MATERIAL: POM
 FINISH:NATURAL
 COLOUR:BLACK

NOTE: Any dimension not explicitly called-out should be ± 0.1 of true form.

Dept. ENG	Technical reference TAPPER	Created by Greg Holloway 14/05/2020	Approved by GLH
		Document type PRODUCTION	Document status RELEASED
		Title T-BUSHING	DWG No. Tapper Bushing
		Rev. 0.5	Date of issue 17/07/20
		Sheet 1/1	