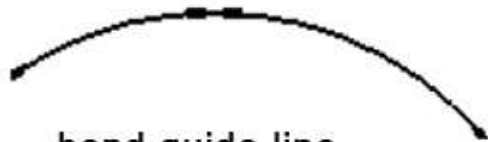
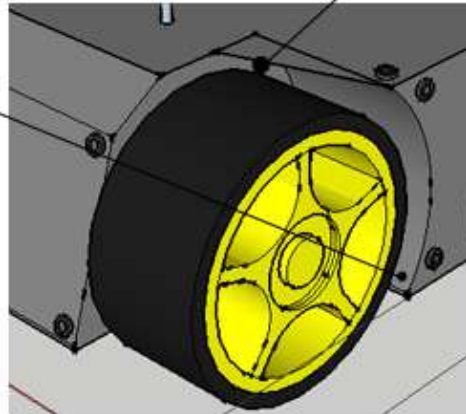
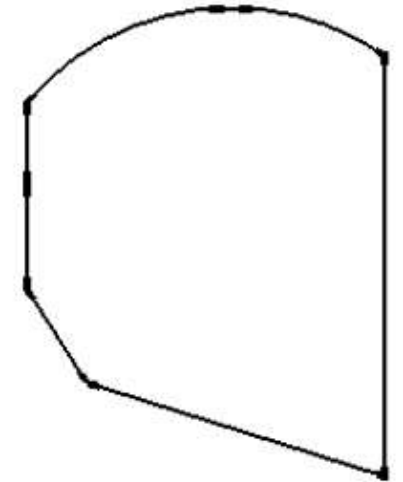
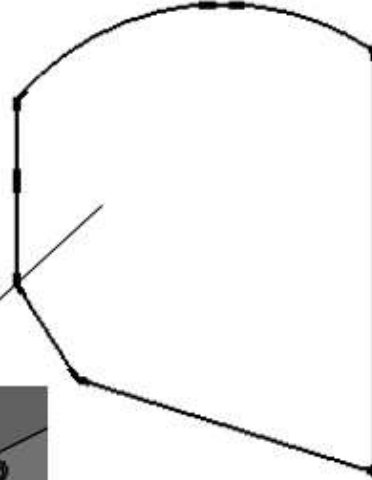
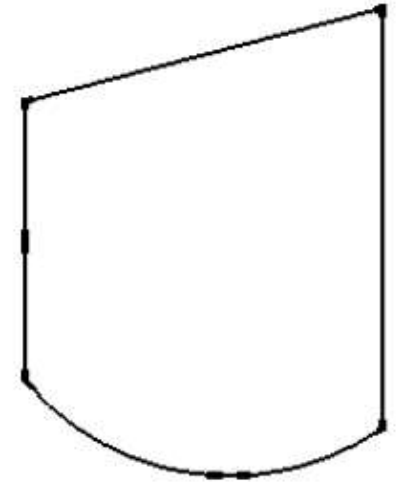
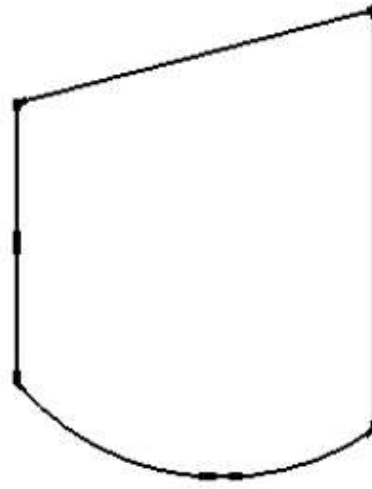
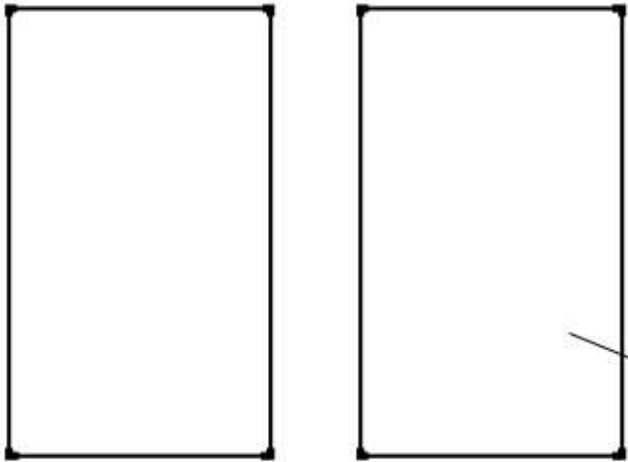
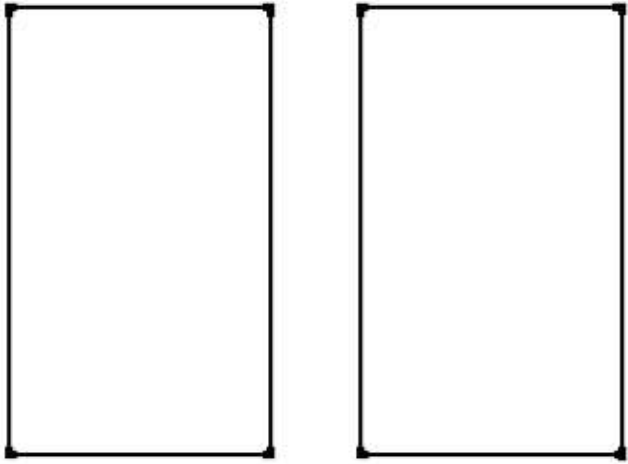


Arduino Sumo Robot

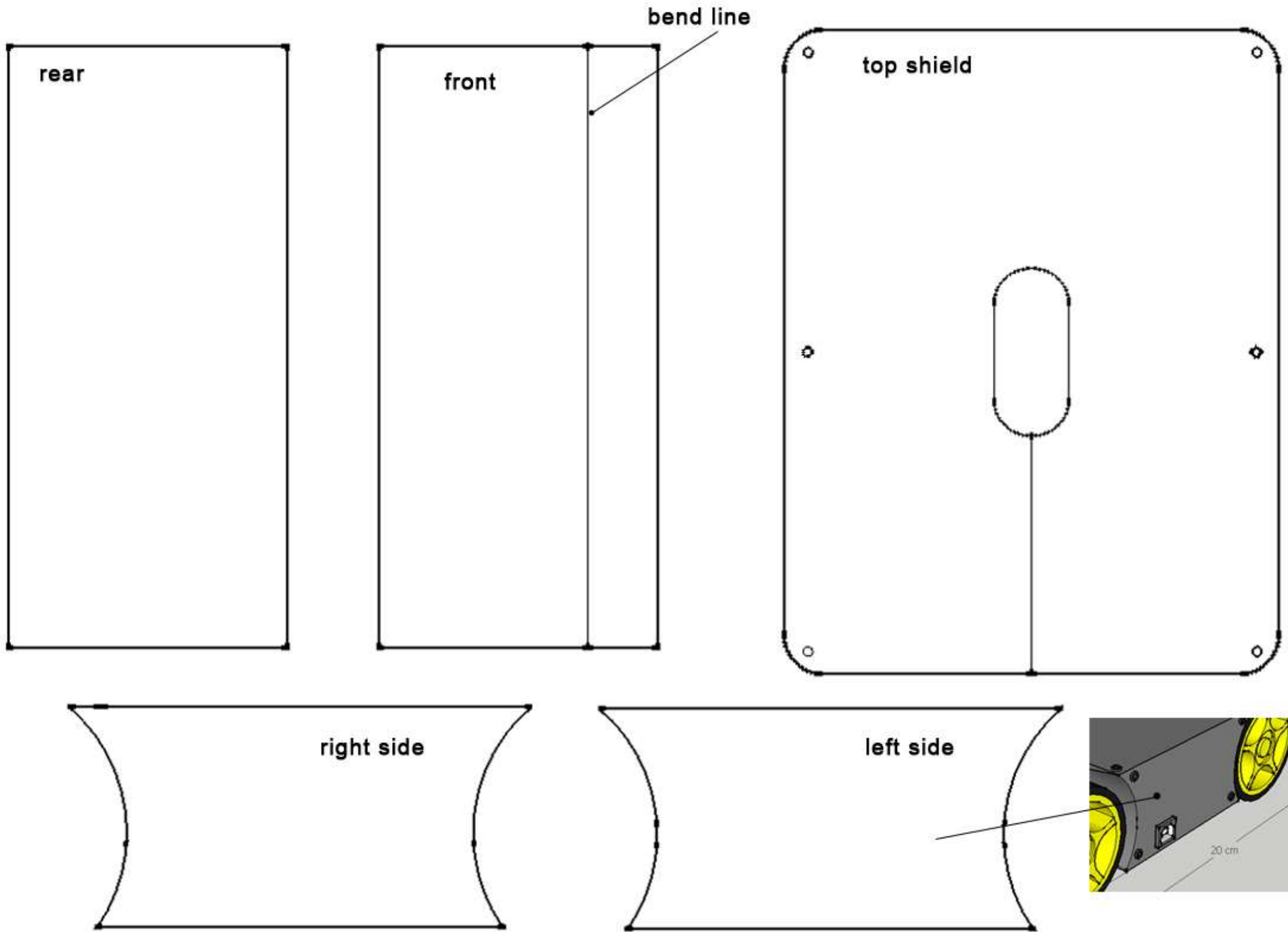
Scale 1:1

design by ahmedf arag

Internal flaps

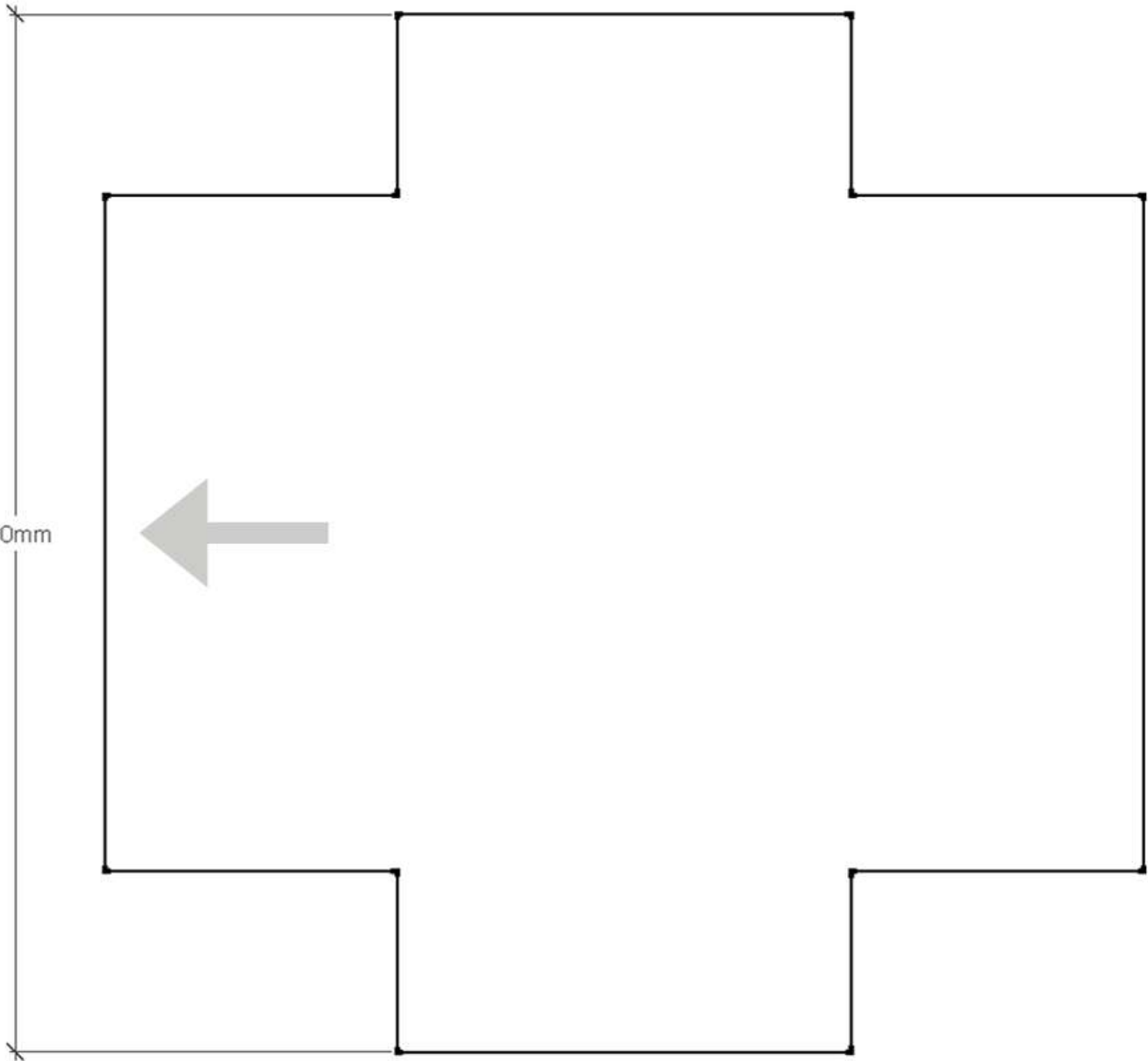


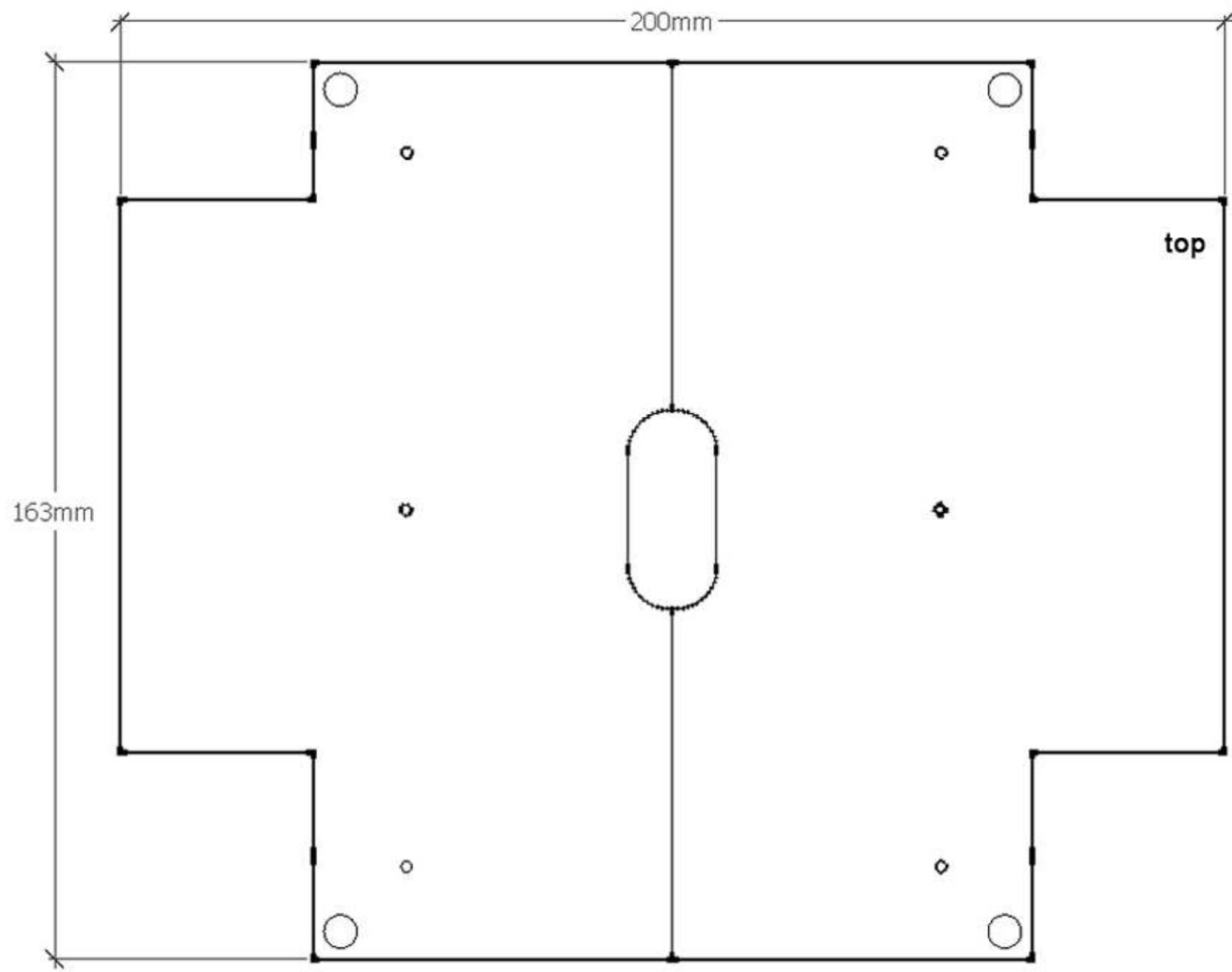
bend guide line



base

200mm





front



top