

- Photo's of Finished Steps

Making Wooden Steps

Underbed Pull out Steps for Campervan

Assumes use of 15 mm wooden board
(adjust measurements if using different wood)

Fitted to floor using Heavy Duty 450mm draw runners.

Approx weight is 15Kg.

With removable tops, provides a large amount of additional storage.

Finished Steps



Covers with floor tiles

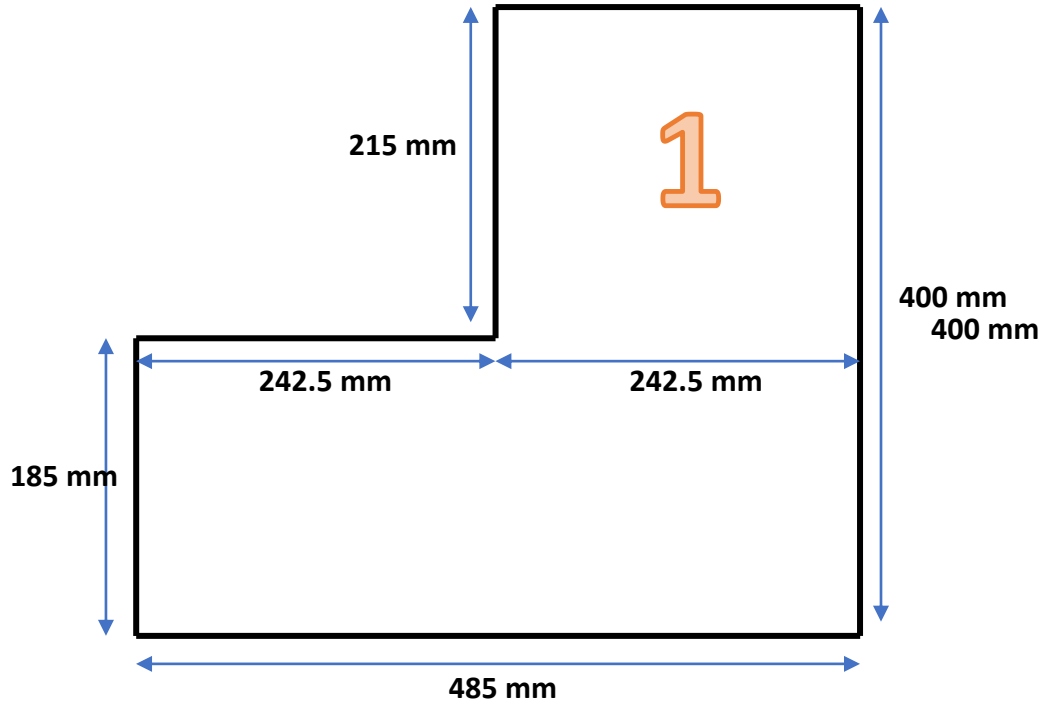


Door

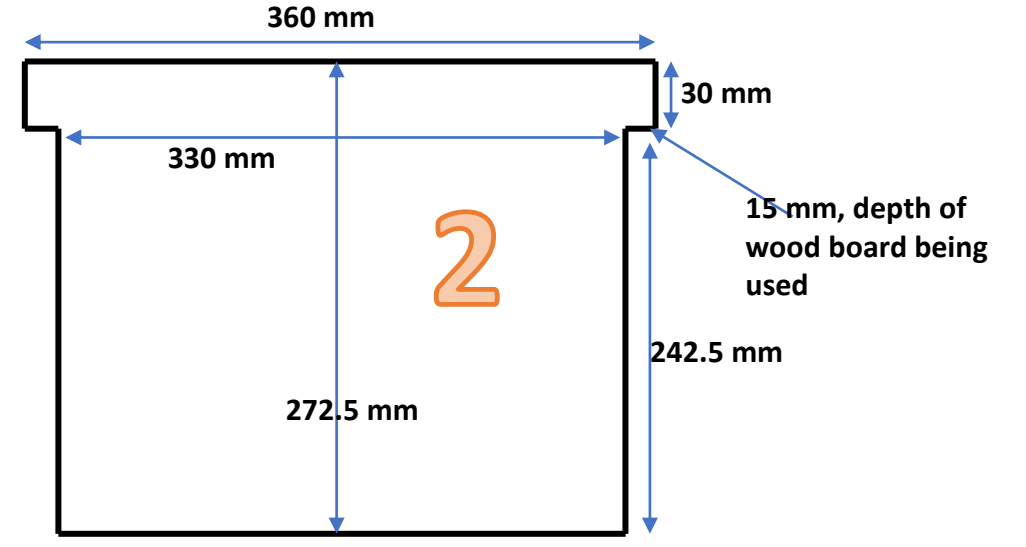


Steps mounted to runners

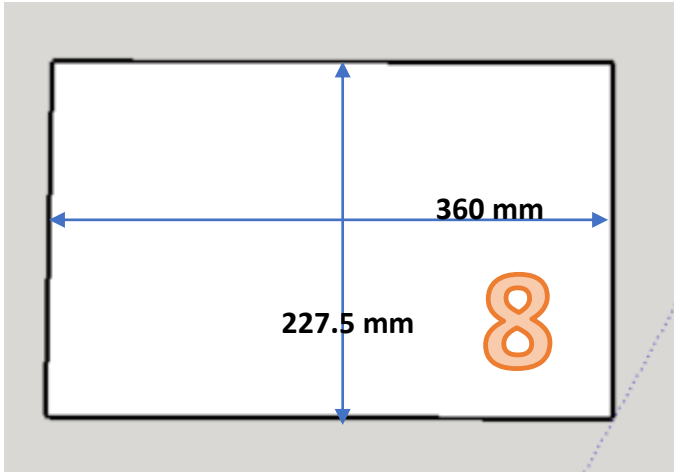




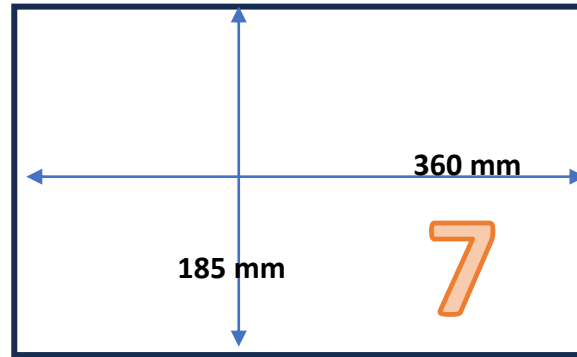
Side of Steps (x2)



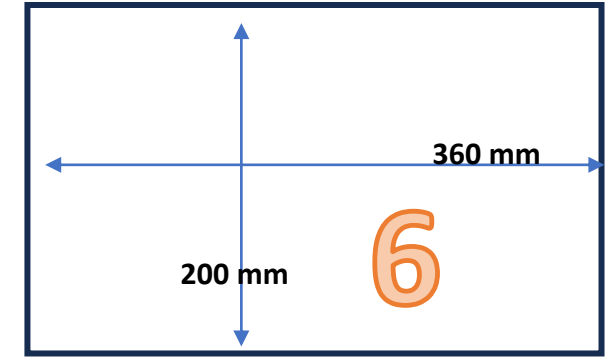
Mid Support Panel(x1)



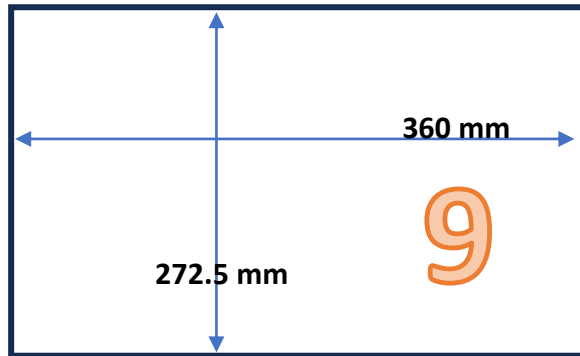
Mid Step (x1)



Front Panel - Lower Step (x1)



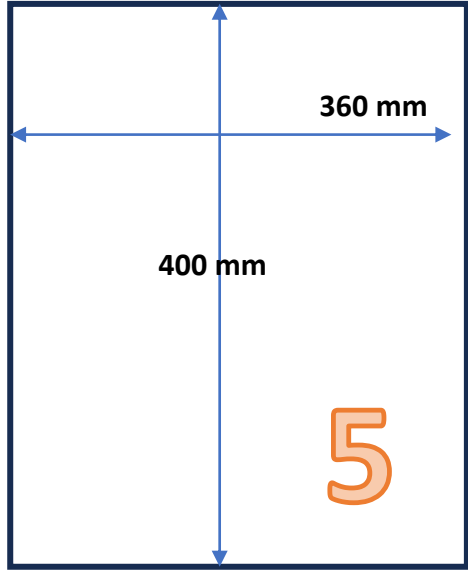
Front Panel - Top Step (x1)



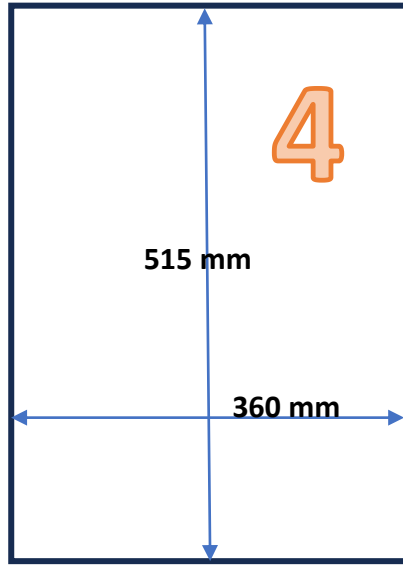
Top Step (x1)



Support bars (x2)

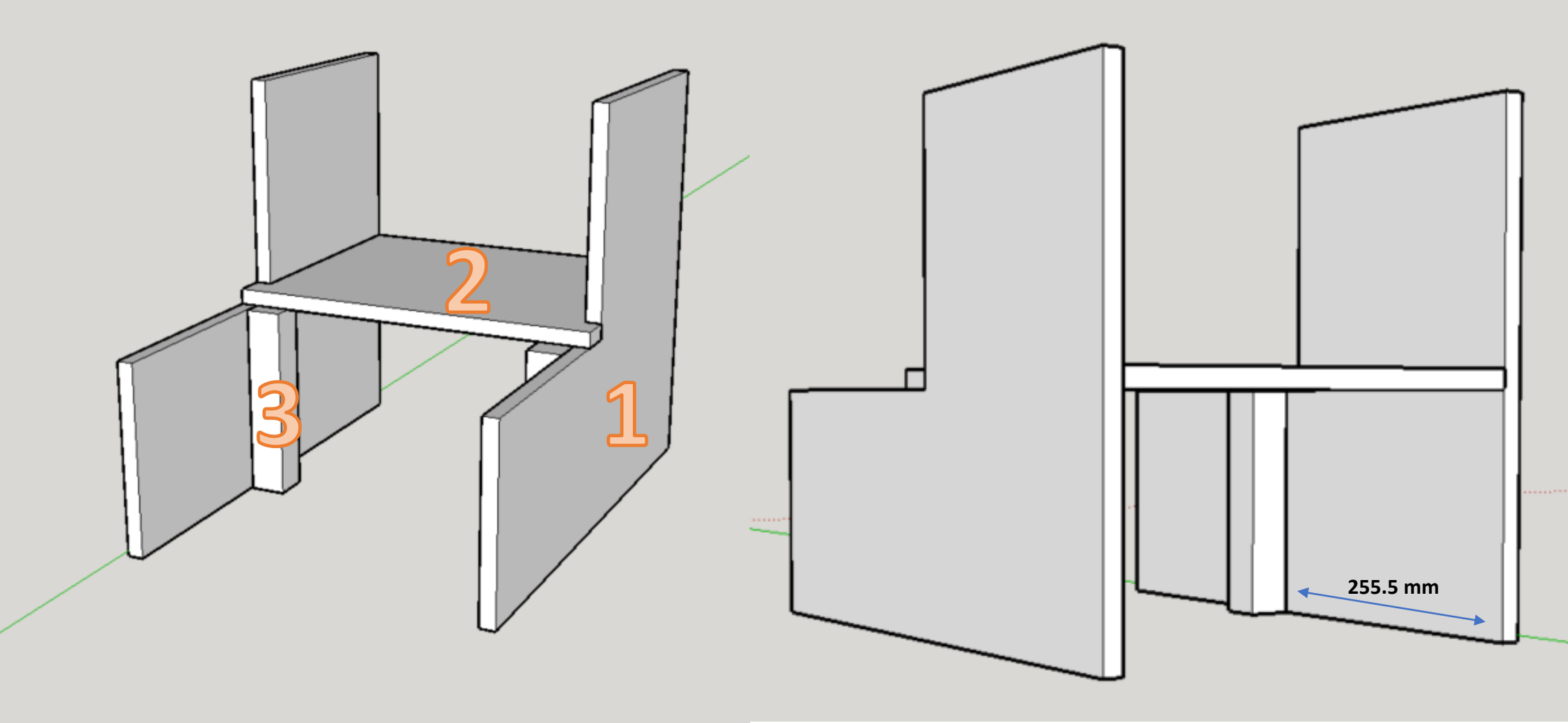


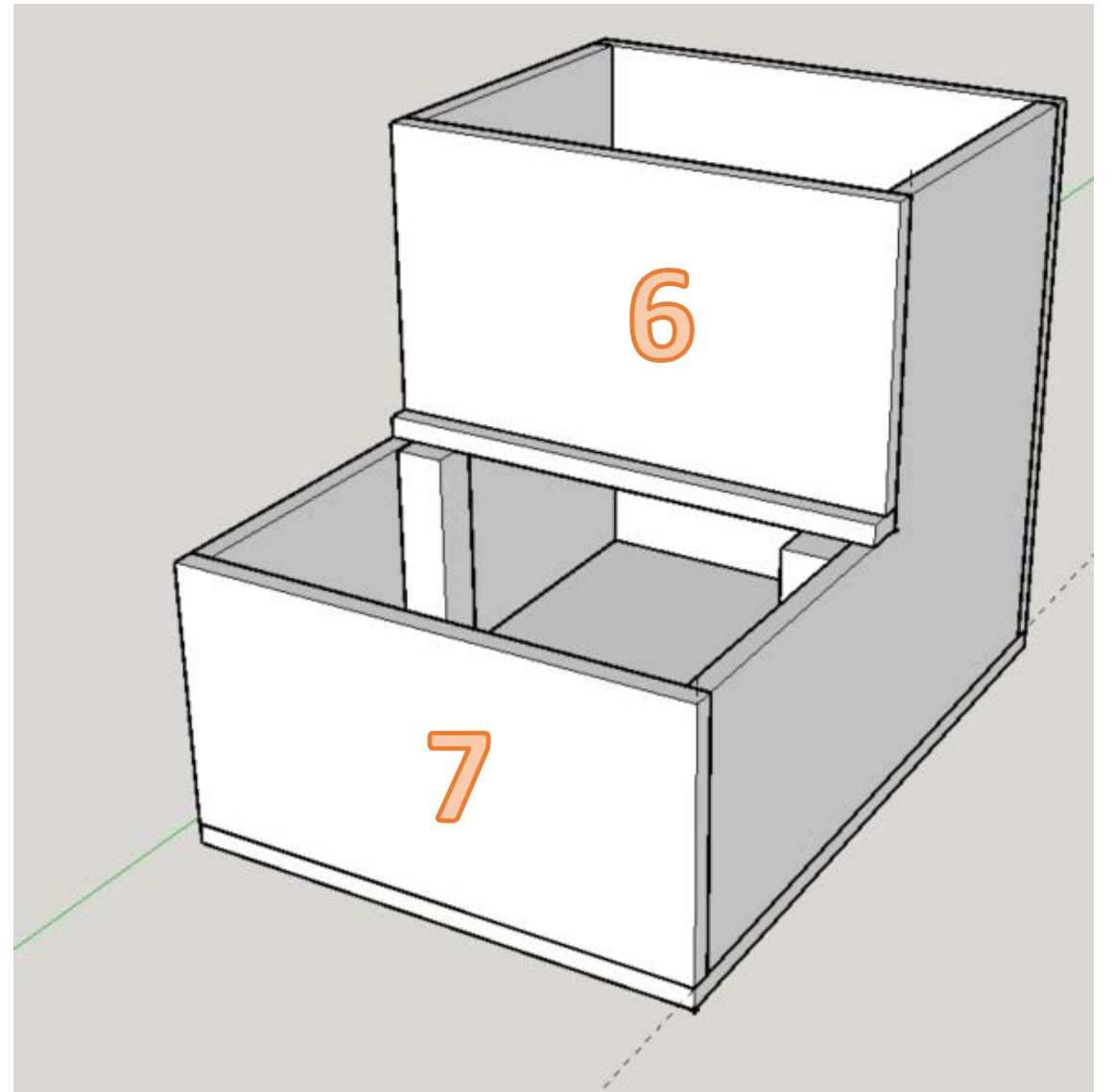
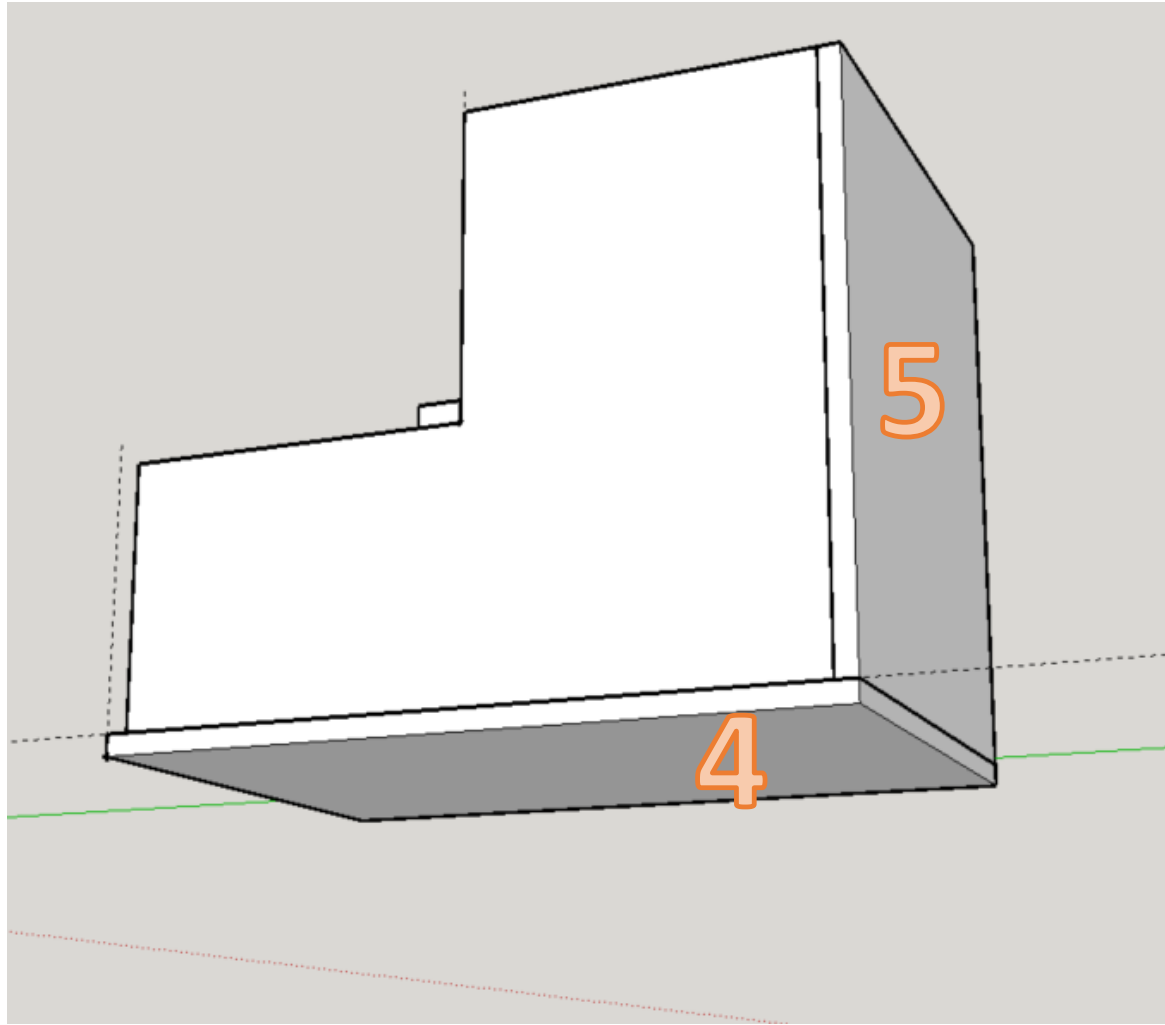
Back Panel (x1)

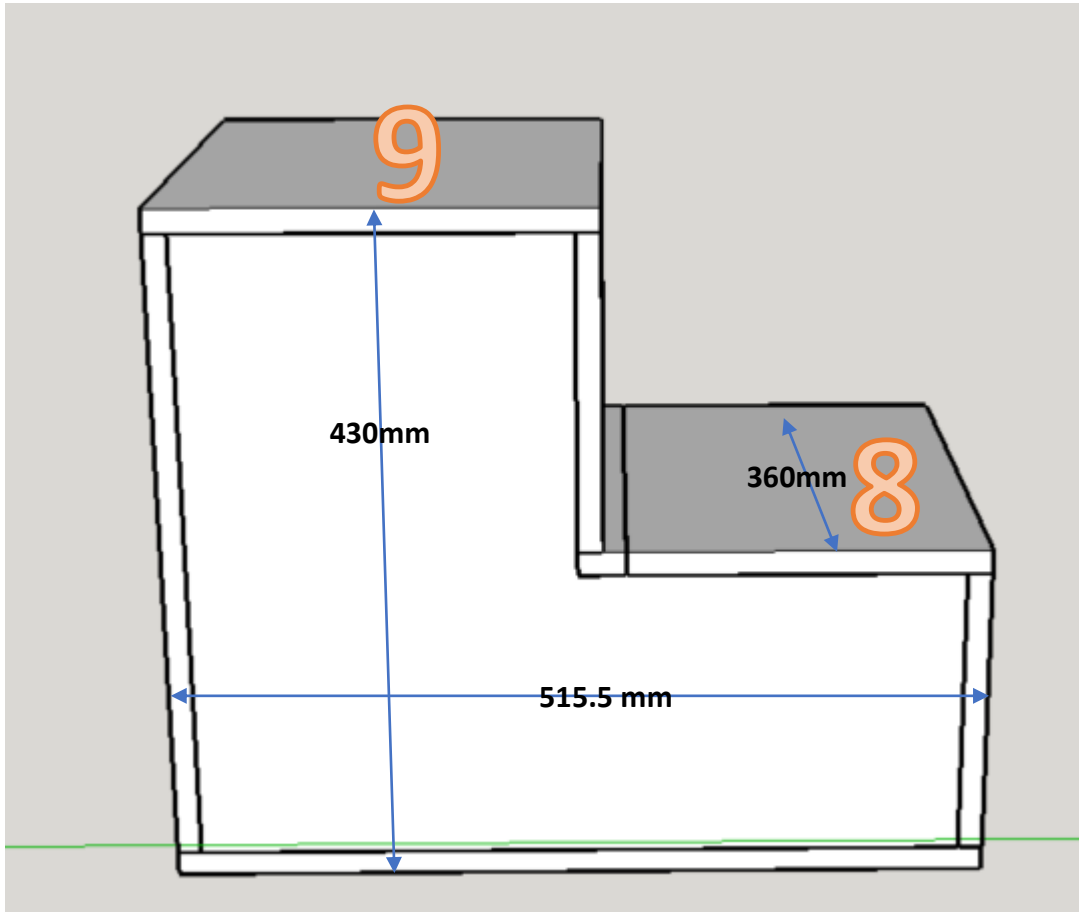


Base Panel (x1)

ASSEMBLY







Assumption:

All parts made with 15mm board

