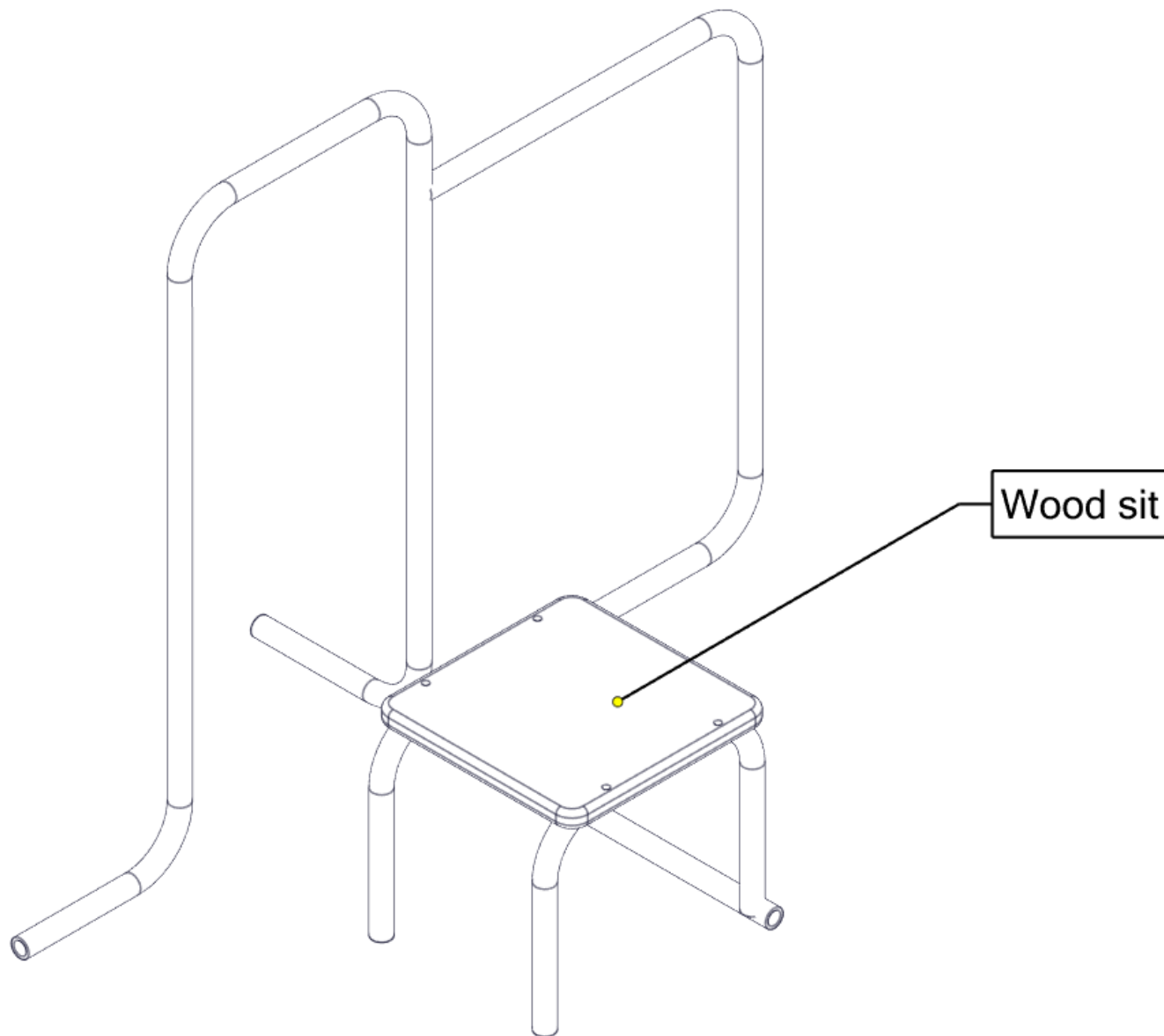


Step 5



Cut a piece of wood measuring 25 cm x 25 cm and 20 mm thick. Pre-drill holes in the wood for the final connection to the frame. Use self-tapping screws and carefully screw the seat to the frame.