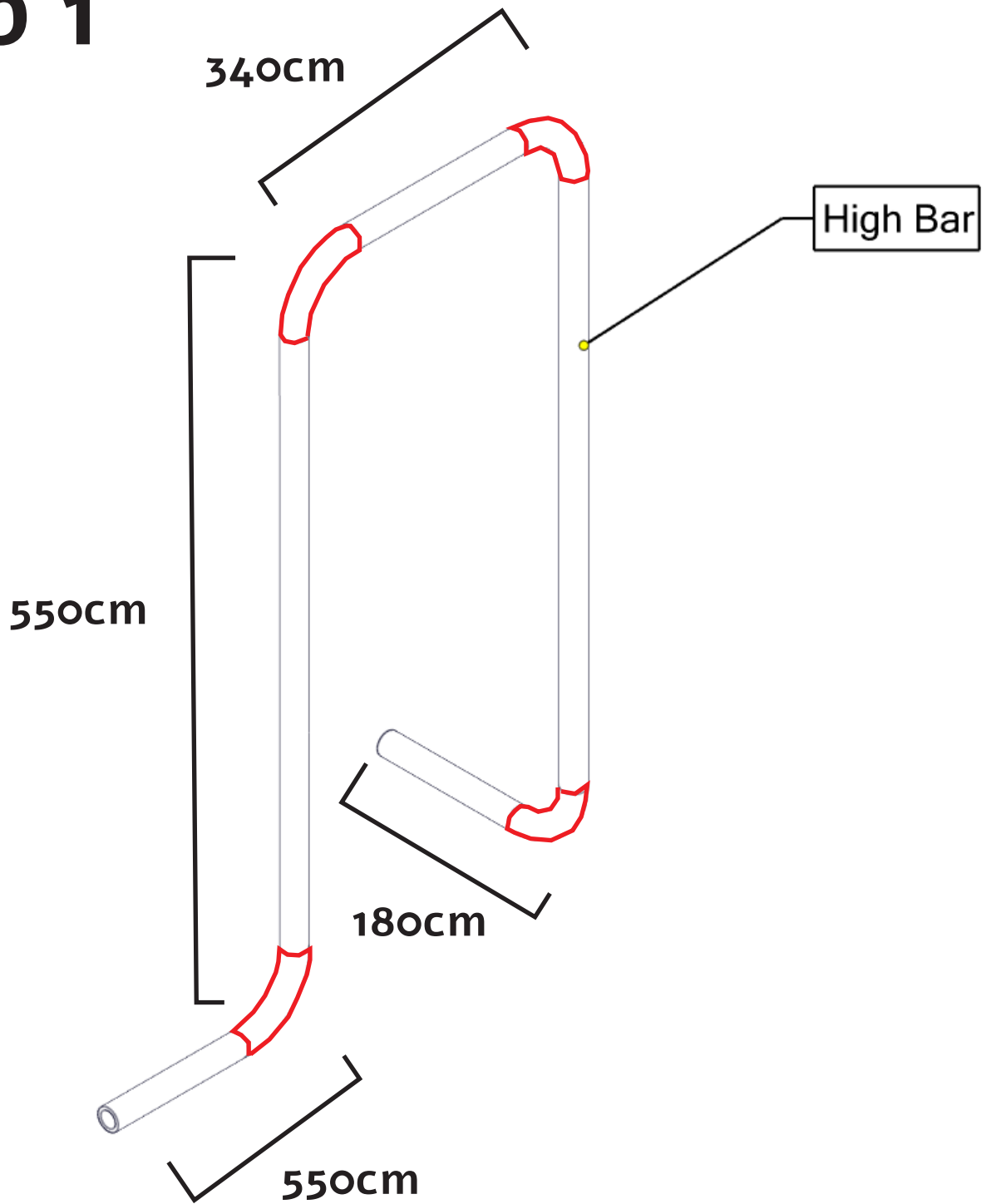


Step 1



Take the pipe of length X and bend it using a 60 mm Beck pipe bender with a diameter of 22 mm and bend it to 90 degrees in the marked areas.