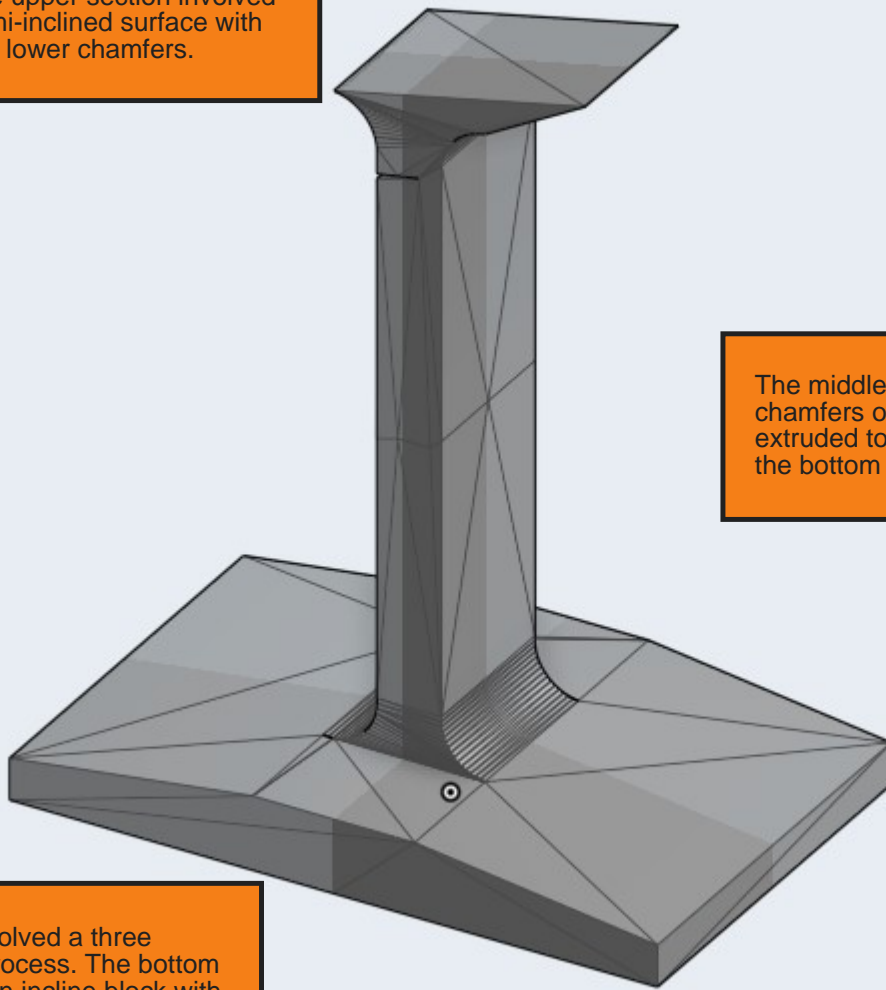


Starship Stand

The upper section involved semi-inclined surface with two lower chamfers.

The middle section involved a four chamfers of equal diameter extruded to fraction of the top of the bottom section.



The stand involved a three component process. The bottom section was an incline block with extrusion with a top surface.