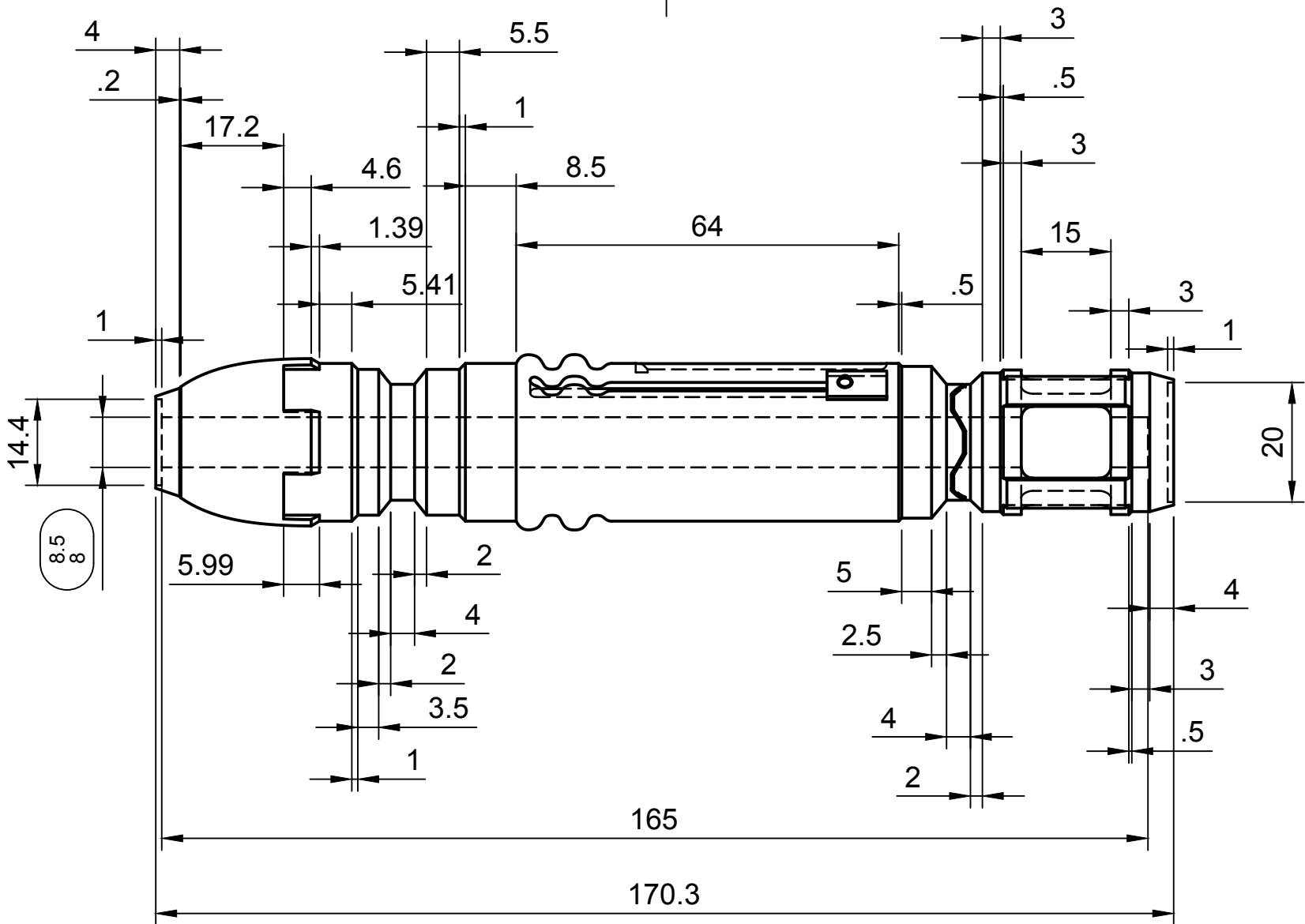
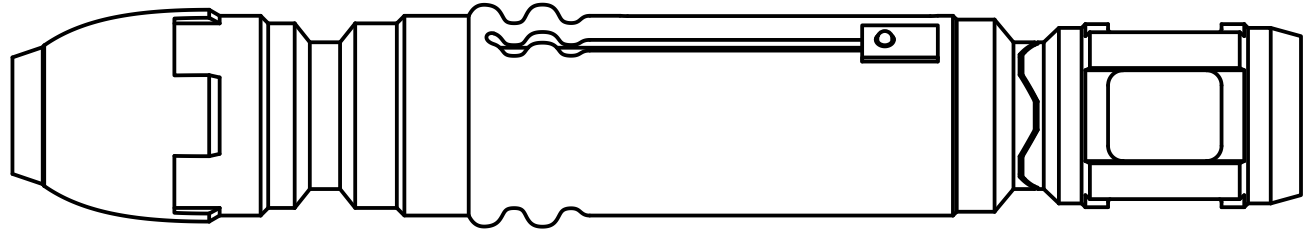
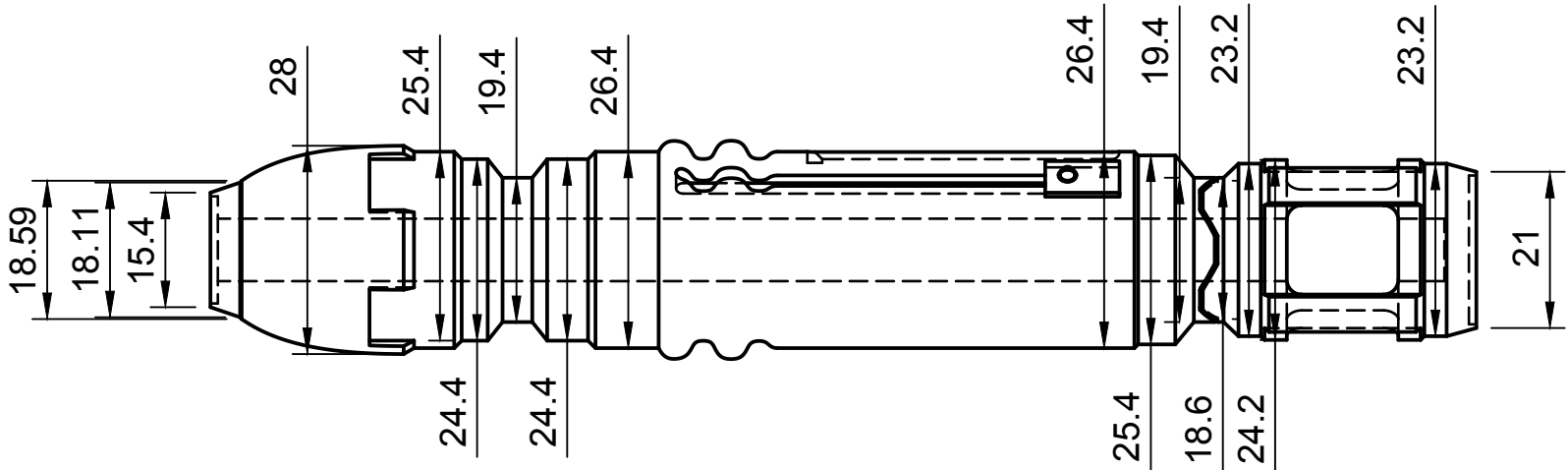


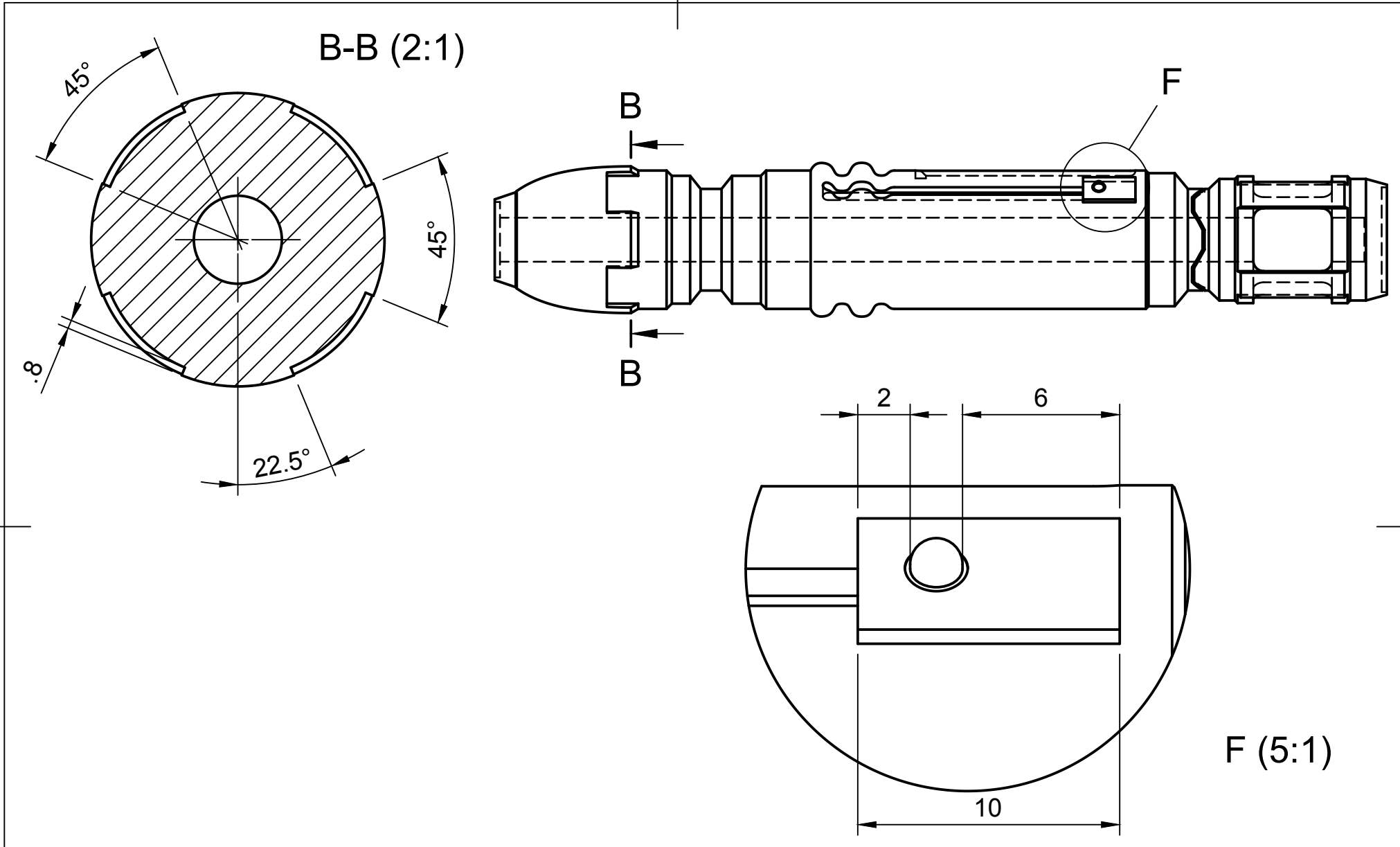
Created by CabbitCastle	Sheet format A4	Units [mm]	Scale 1:1	Description Wand Romana's Sonic Screwdriver Part Dimensions	Date of issue 22.11.2018	
Project Sonic Wand 2 - The FDM Redux					Rev. v17	Sheet 1/8



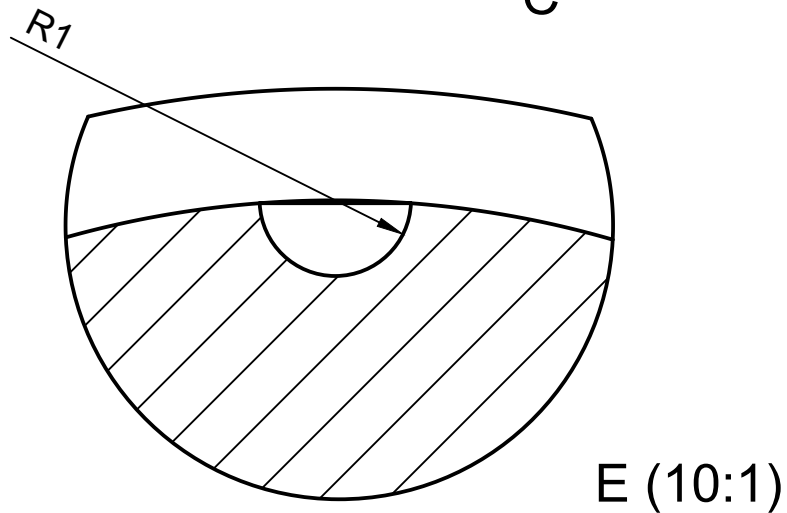
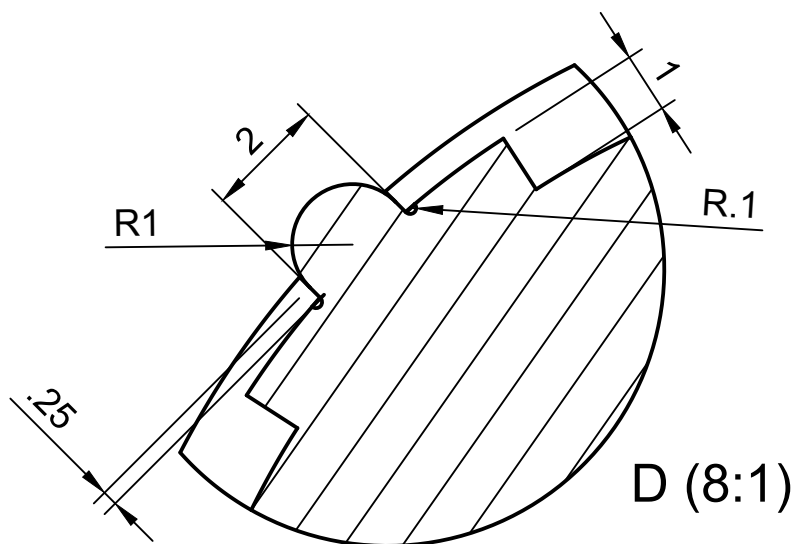
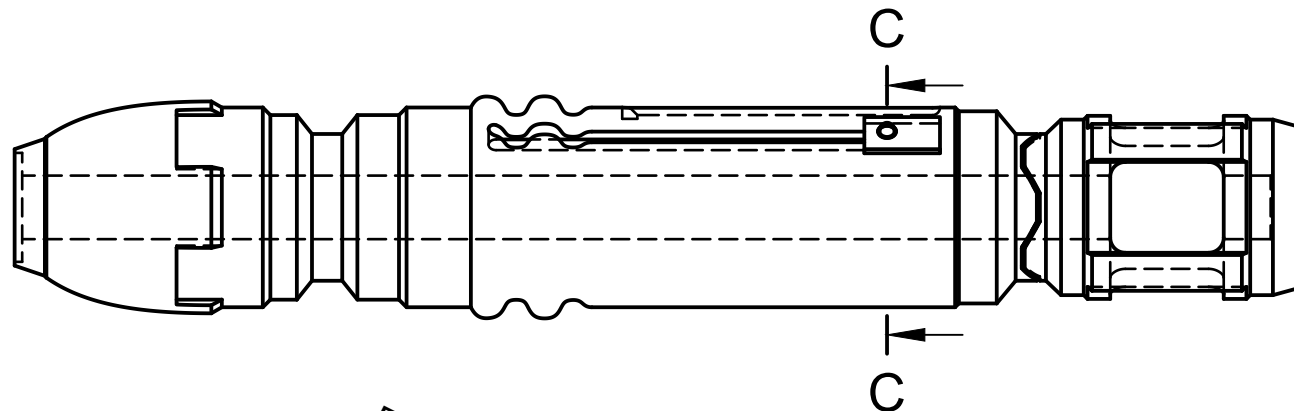
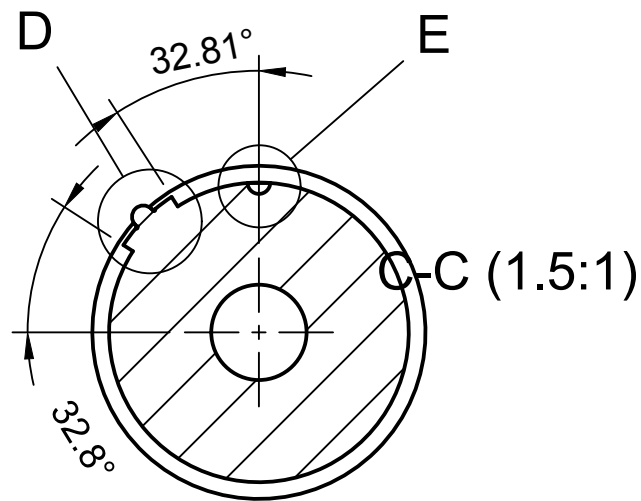
Created by CabbitCastle	Sheet format A4	Units [mm]	Scale 1:1	Description Sonic Screwdriver Part Dimensions	Date of issue 22.11.2018	
Project Sonic Wand 2 - The FDM Redux					Rev. v17	Sheet 2/8



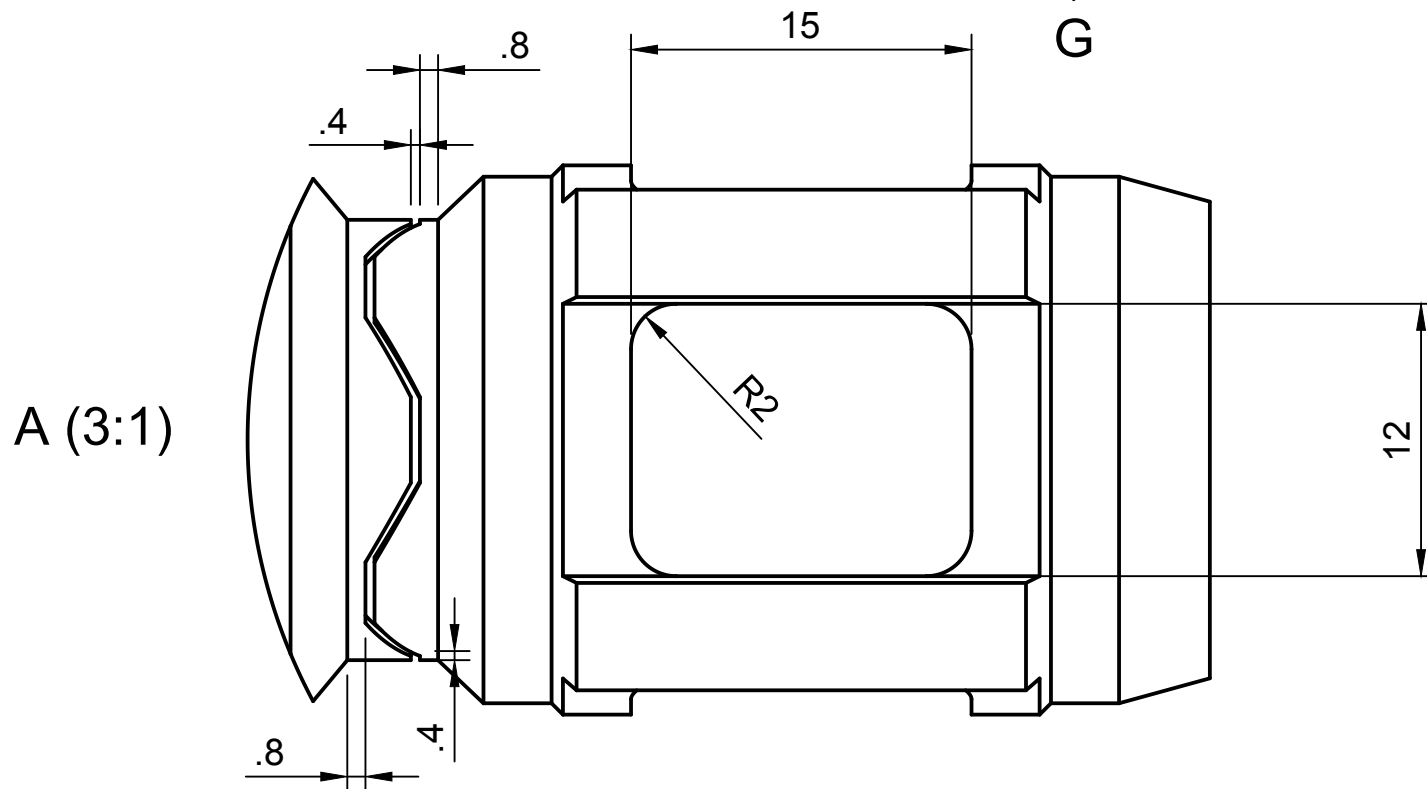
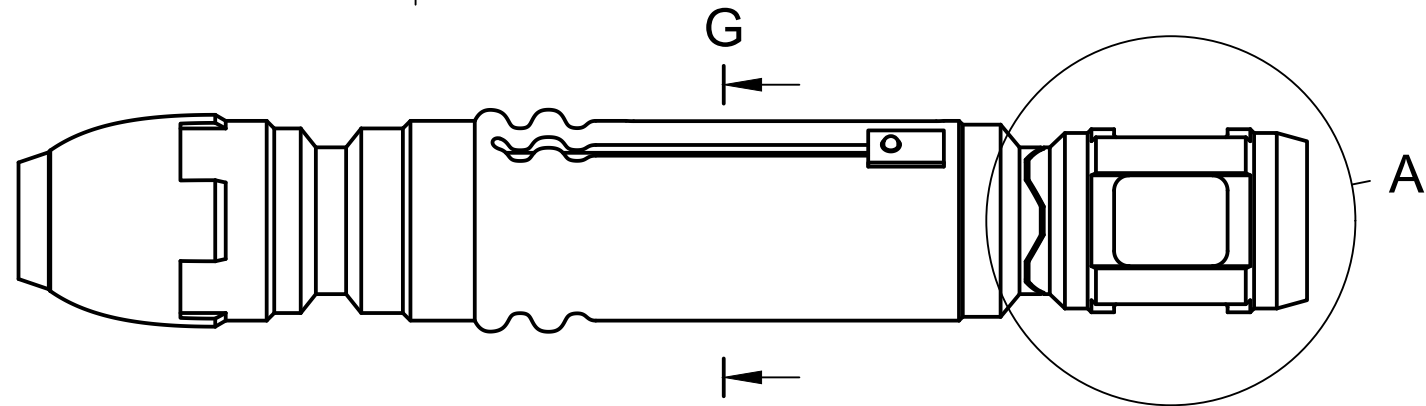
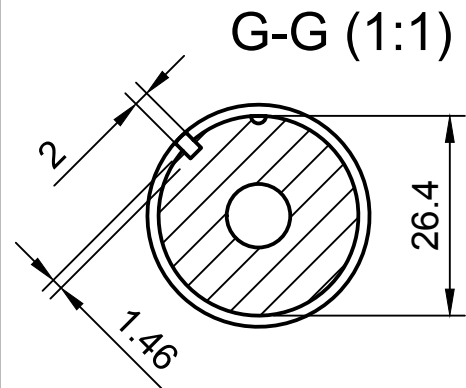
Created by CabbitCastle	Sheet format A4	Units [mm]	Scale 1:1	Description Sonic Screwdriver Part Dimensions	Date of issue 22.11.2018	
Project Sonic Wand 2 - The FDM Redux					Rev. v17	Sheet 3/8



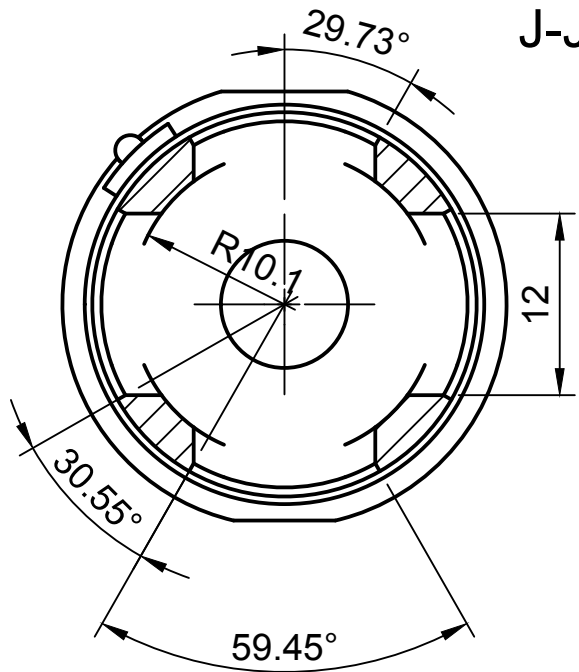
Created by CabbitCastle	Sheet format A4	Units [mm]	Scale 1:1	Description Sonic Screwdriver Part Dimensions	Date of issue 22.11.2018	
Project Sonic Wand 2 - The FDM Redux					Rev. v17	Sheet 4/8



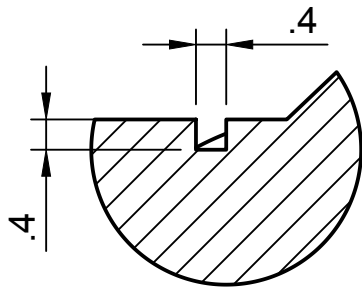
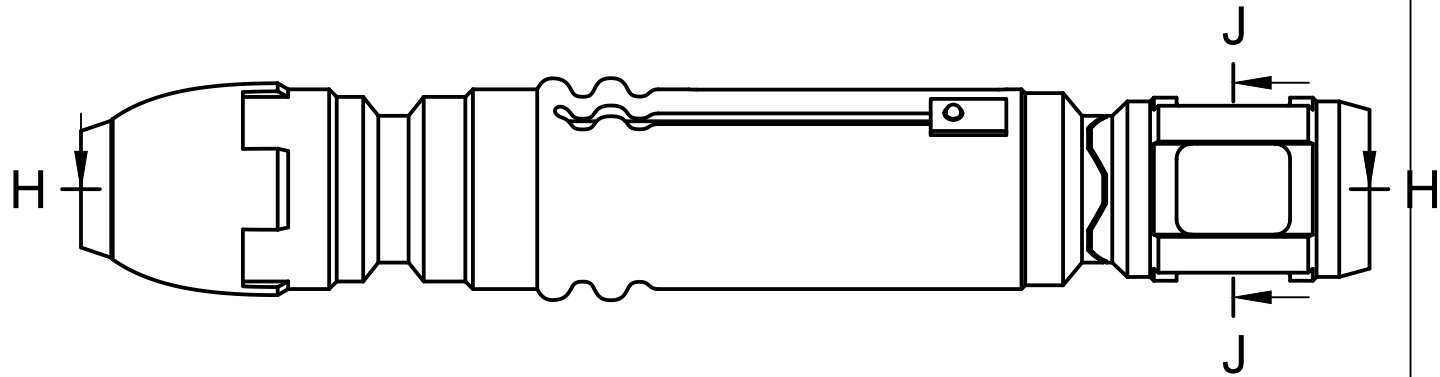
Created by CabbitCastle	Sheet format A4	Units [mm]	Scale 1:1	Description Sonic Screwdriver Part Dimensions	Date of issue 22.11.2018	
Project Sonic Wand 2 - The FDM Redux					Rev. v17	Sheet 5/8



Created by CabbitCastle	Sheet format A4	Units [mm]	Scale 1:1	Description Sonic Screwdriver Part Dimensions	Date of issue 22.11.2018	
Project Sonic Wand 2 - The FDM Redux					Rev. v17	Sheet 6/8

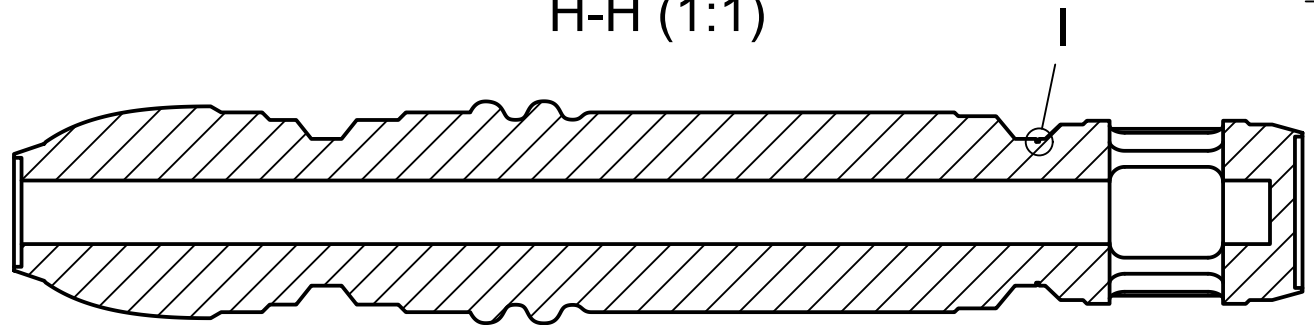


J-J (2:1)

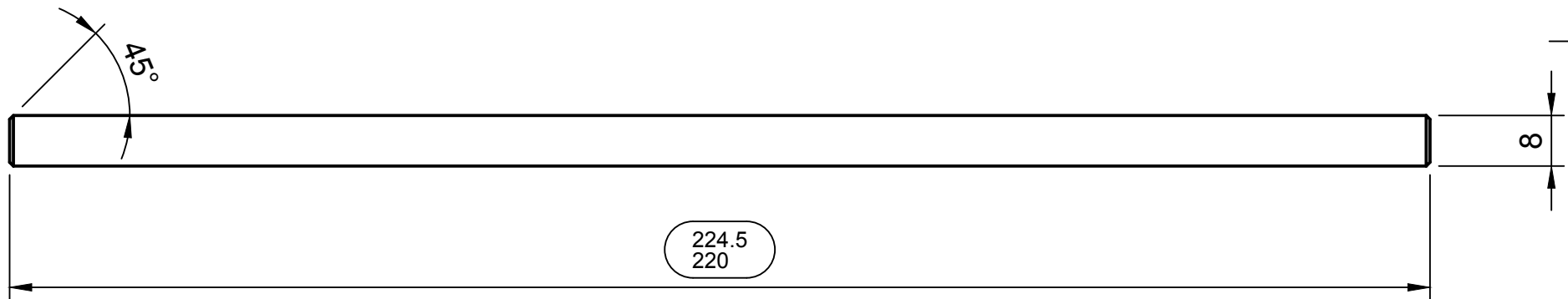
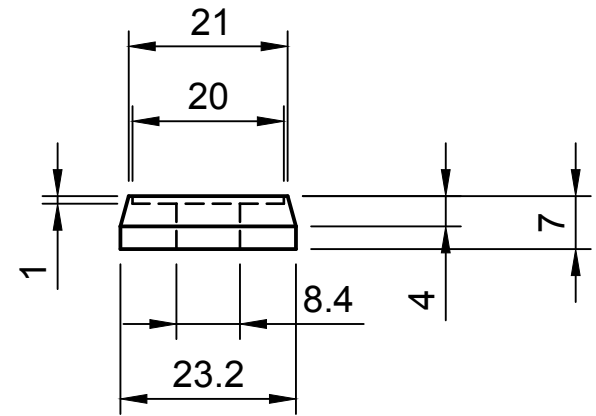
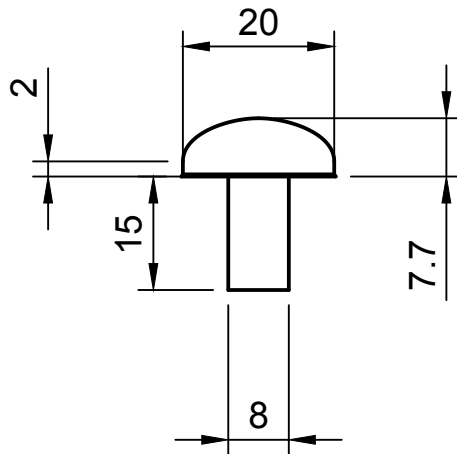
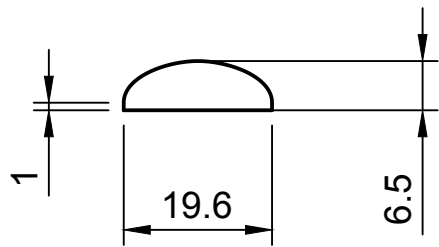


I (10:1)

H-H (1:1)



Created by CabbitCastle	Sheet format A4	Units [mm]	Scale 1:1	Description Sonic Screwdriver Part Dimensions	Date of issue 22.11.2018	
Project Sonic Wand 2 - The FDM Redux					Rev. v17	Sheet 7/8



Created by CabbitCastle	Sheet format A4	Units [mm]	Scale 1:1	Description Gem / Crystal, Steel Rod Moldmaking Stand-Ins Part Dimensions	Date of issue 22.11.2018	
Project Sonic Wand 2 - The FDM Redux					Rev. v17	Sheet 8/8