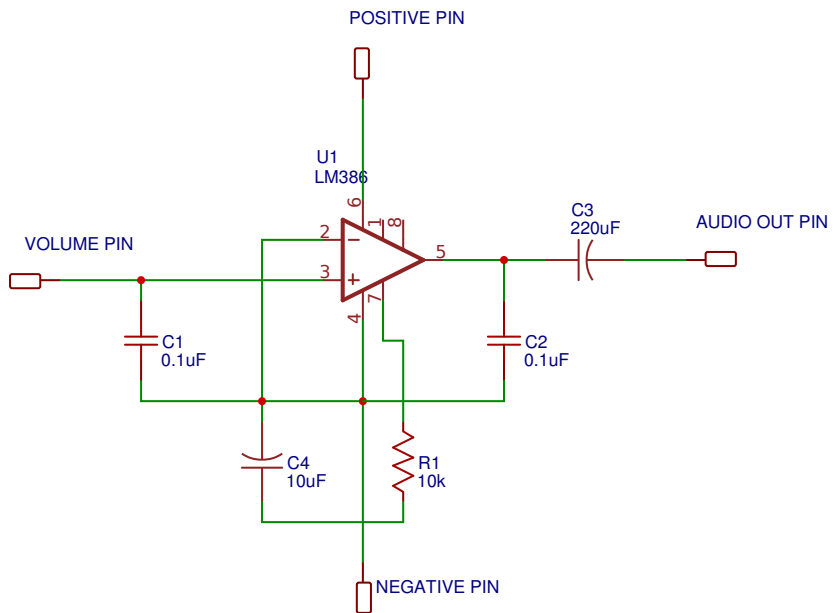
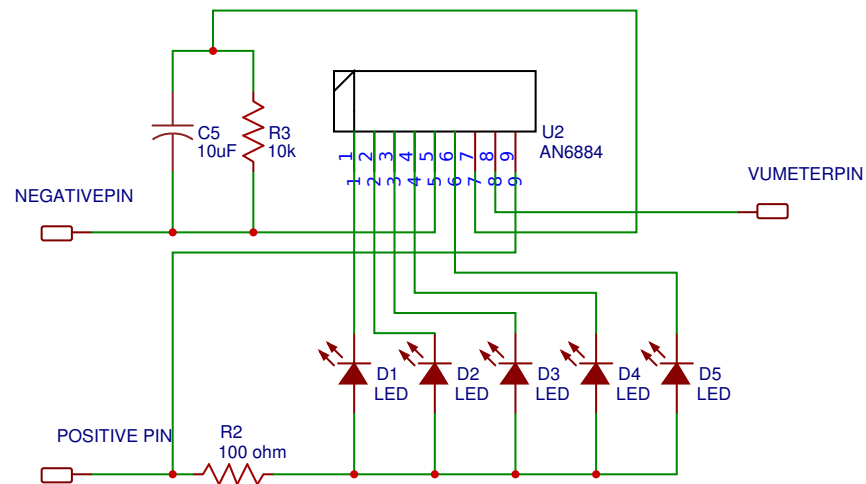


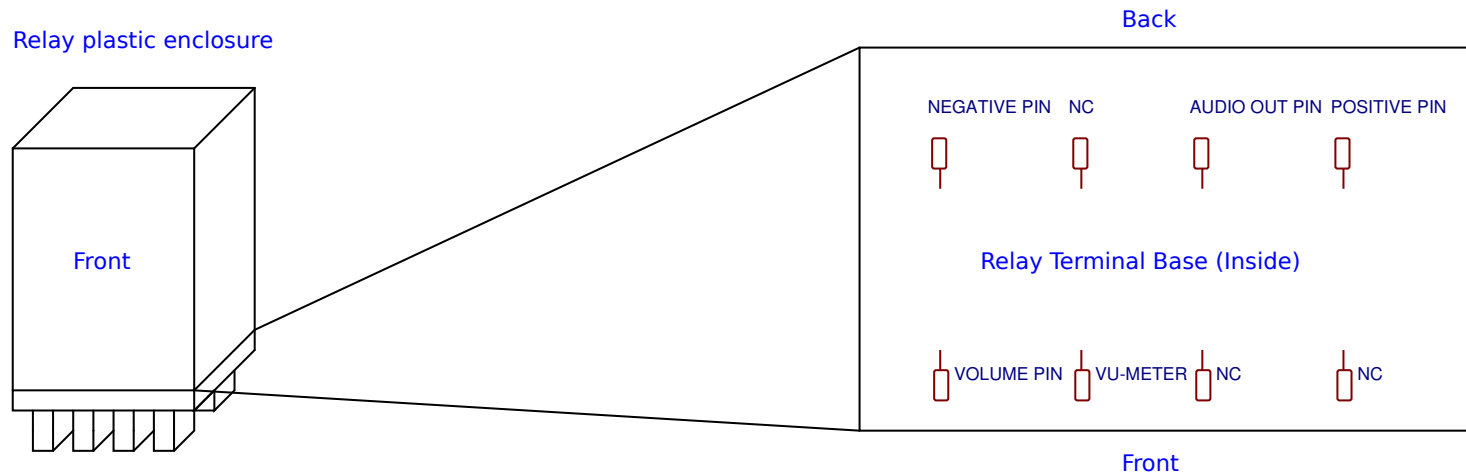
Amplifier Circuit



VU-Meter Circuit



Relay plastic enclosure



TITLE: Soldering Aid Diagram		REV: 1.0
Date: 2016-11-20	Sheet: 1/1	
EasyEDA V3.11.3	Drawn By: Your Name	