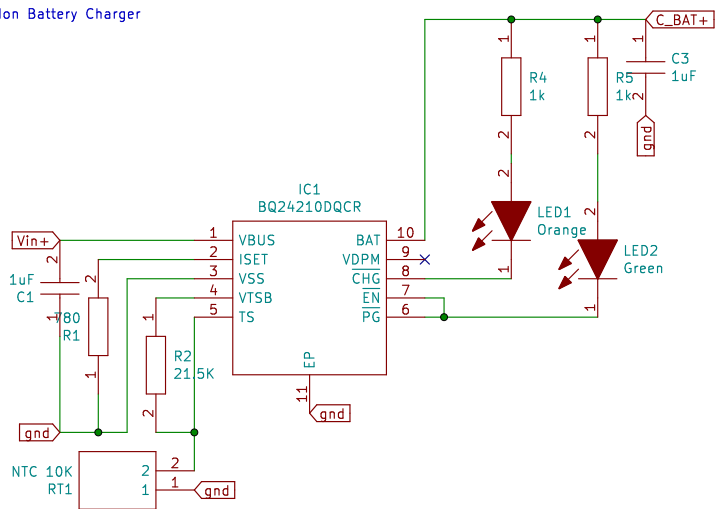
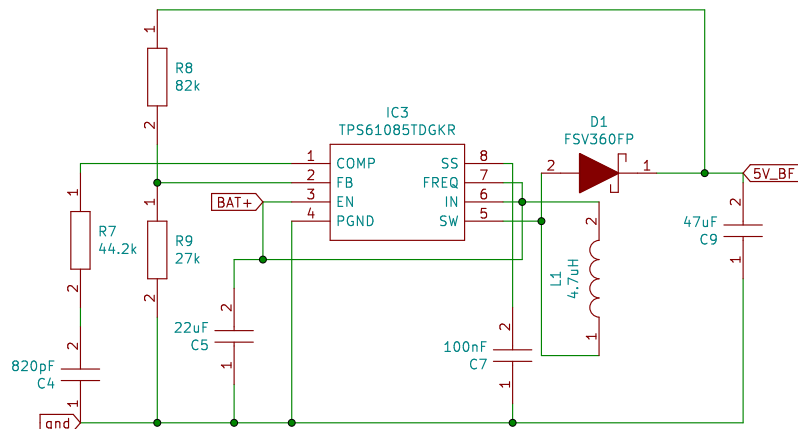


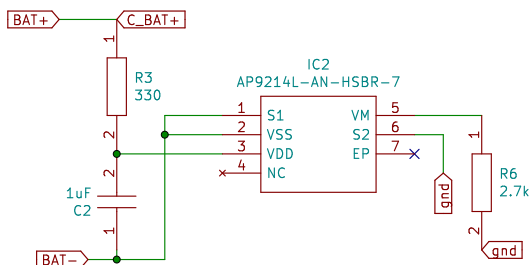
Li-Ion Battery Charger



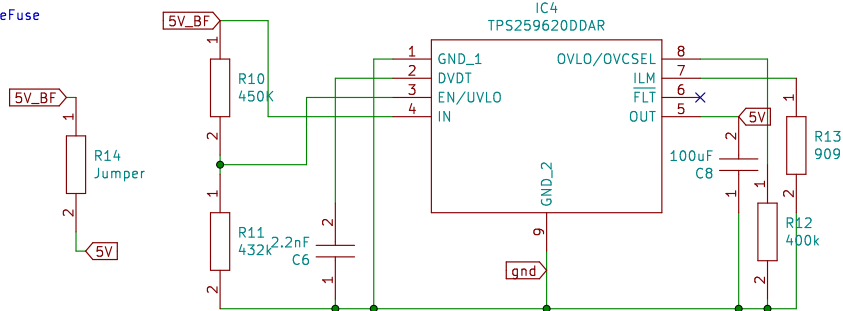
Boost converter



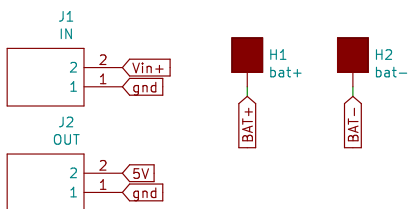
BAT Protection IC



eFuse



Connectors



Making Devices

Sheet:
File: SolarCharger.kicad_sch

Title: Solar Charger

Size: A4 Date: 2022-03-10
KiCad E.D.A. kicad 7.0.1

Rev: v1
Id: 1/1