

Table Saw Soft Starter

0v ac to 115V/230V in ~ 3.2 sec

2 Outputs: Saw and Vacuum

Output 2 can be soft, hard, start and stop delayed

115V/230V same pcb, Only 1 layer pcb.

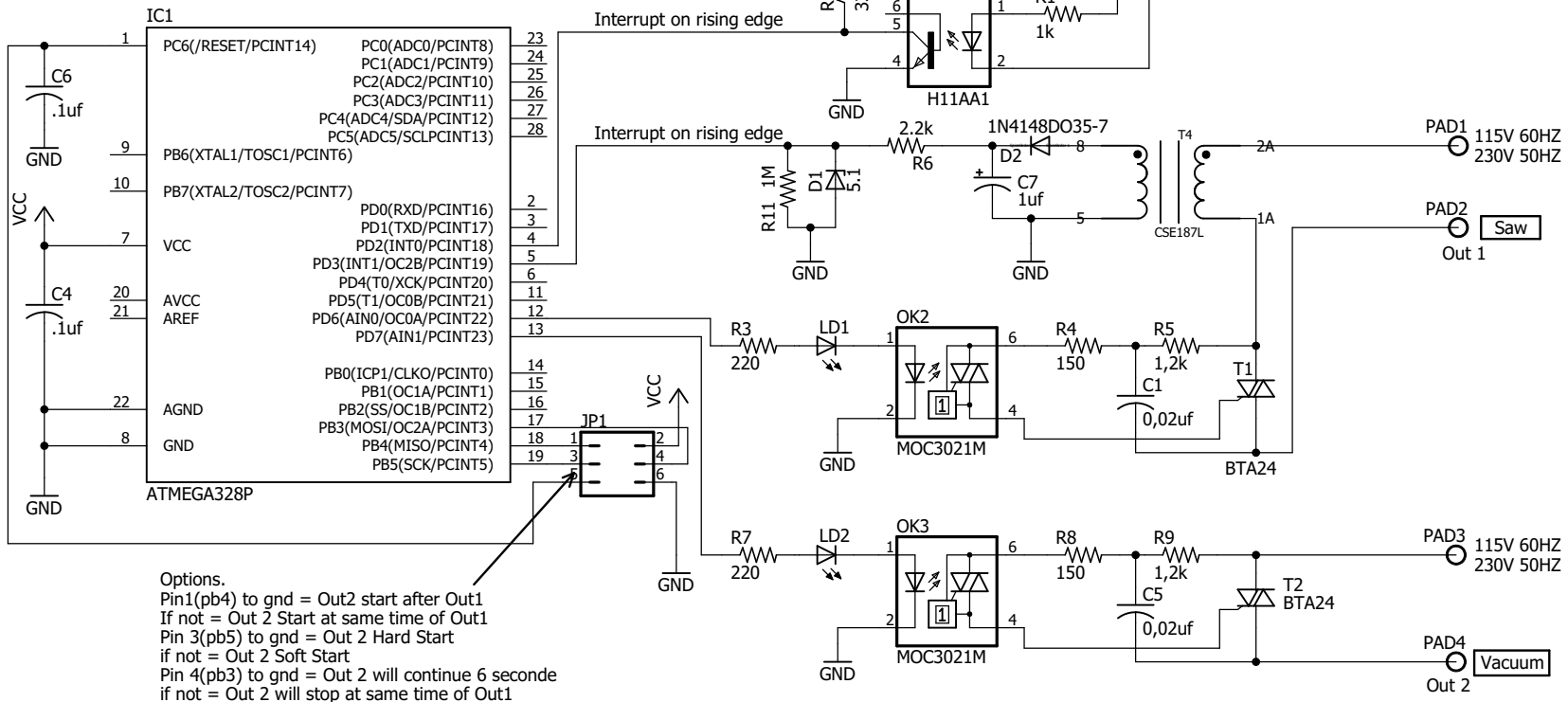
1 universal software for both version (115v,230v)

JP1 is to program uC and jumper sensing

Can Hold up to 30 Amp.

No external modification needed.

Board fit in an conventional electric box



Igt	R5, R9	C1, C5
15mA	2.4k	0,1uf
30mA	1.2k	0,2uf
50mA	800	0,3uf

Yannick Turcotte

TITLE: Soft Starter

Document Number:

REV:

Date: not saved!

Sheet: 1/1