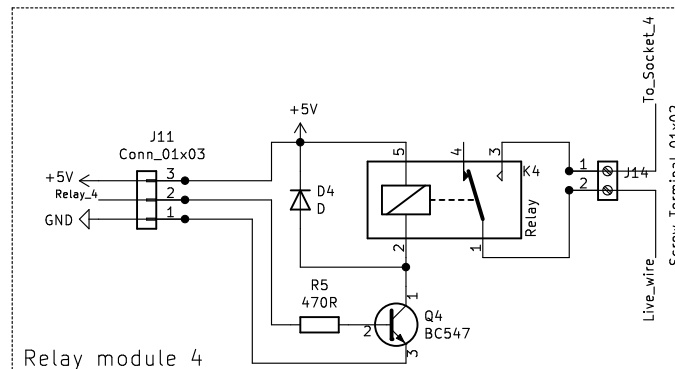
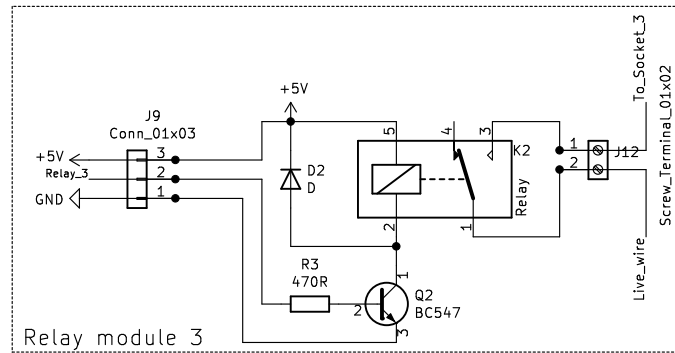
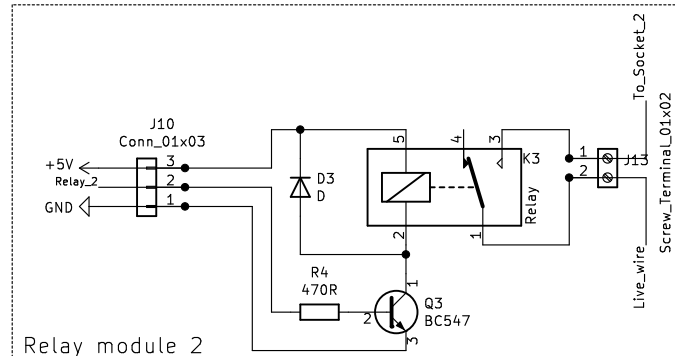
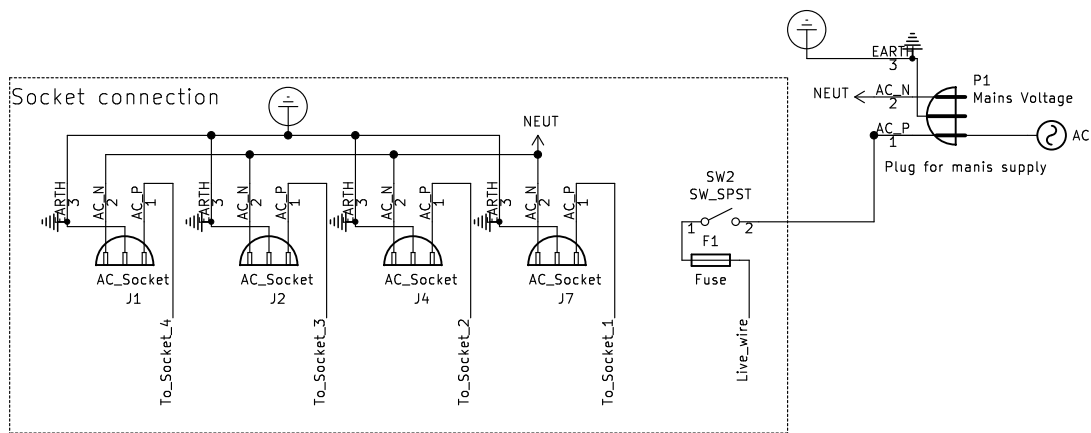


ESP-NOW Slave circuit

Extension Box



Neutrino

Sheet: /

File: Gesture detection smart extension box.sch

Title: Smart Extension box

Size: A4

Date: 2021-02-17

Rev: V1

KiCad E.D.A. kicad (5.1.9)-1

Id: 1/1