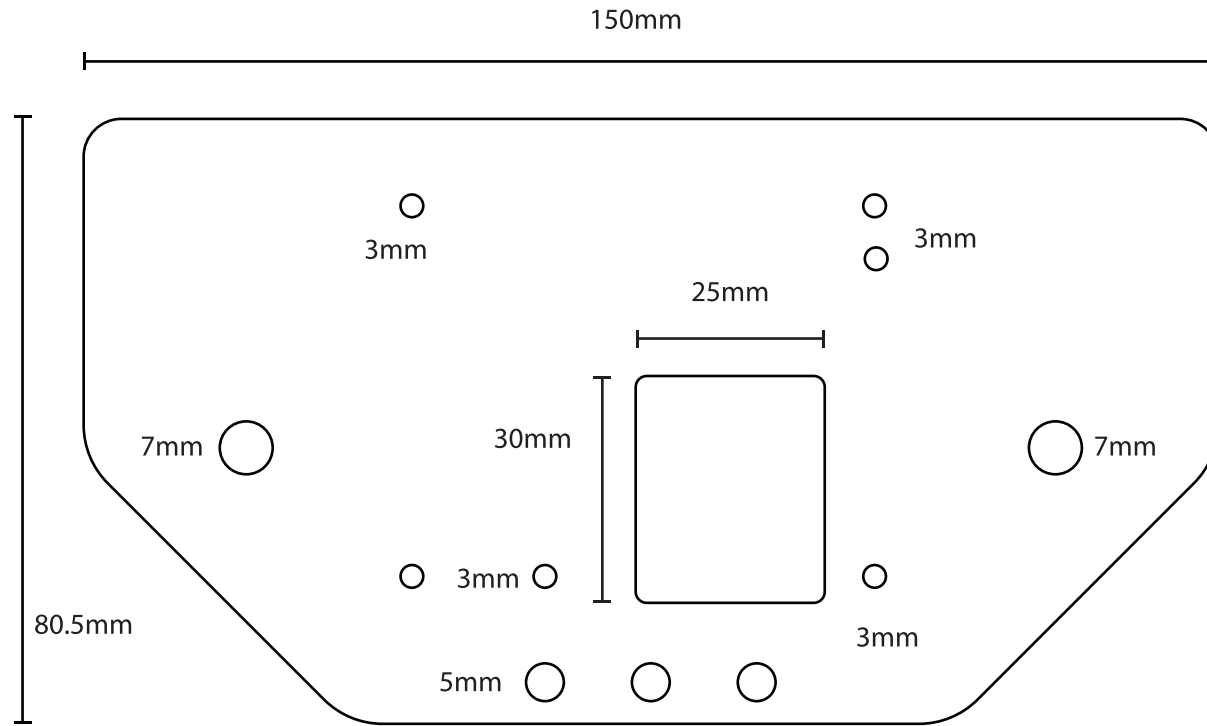
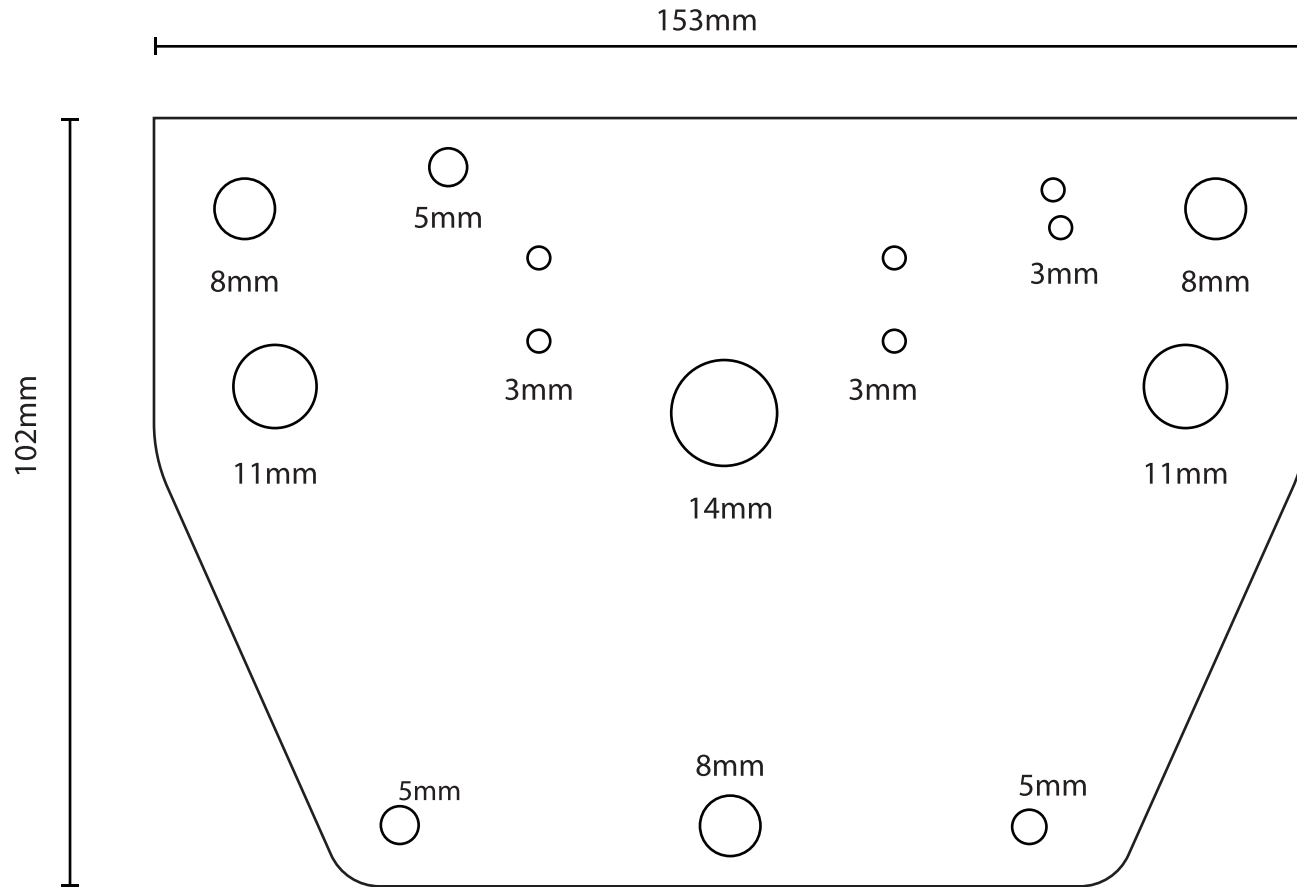


Front Panel-2 (Controlling/Circuit Board Mount)



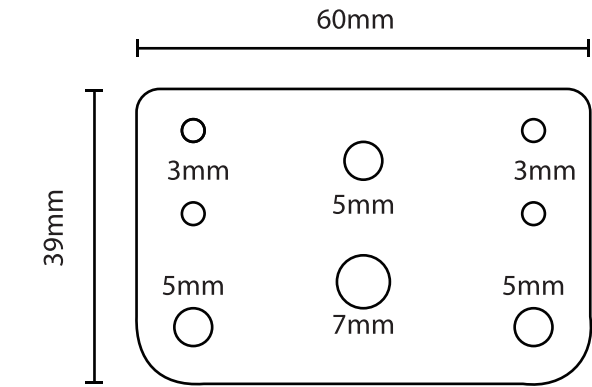
A2

Rear Panel

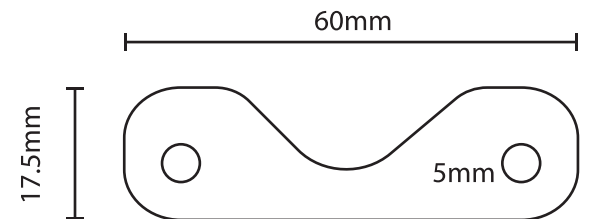


B

Slider pulley belt assy panel

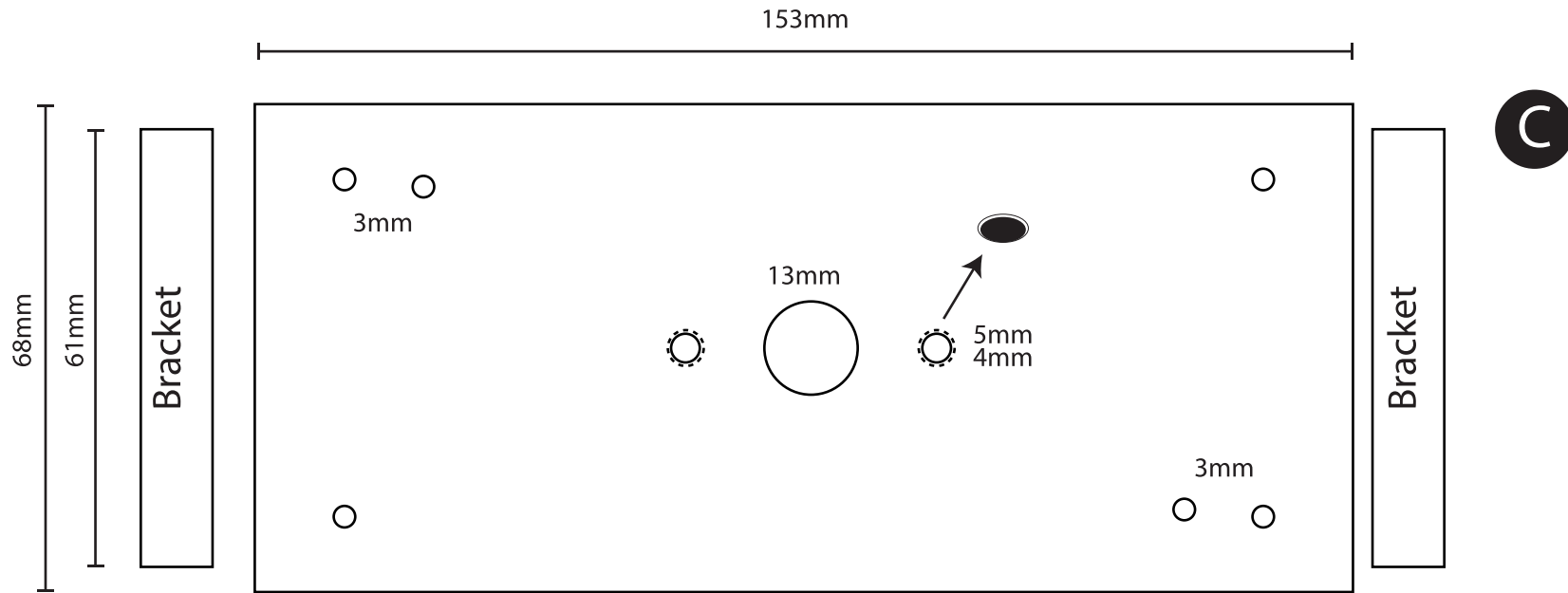


B1

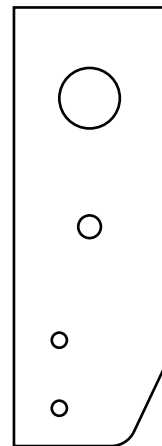


B2

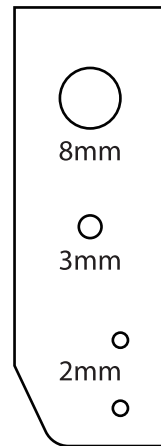
Top Panels



Tact Switch Holder

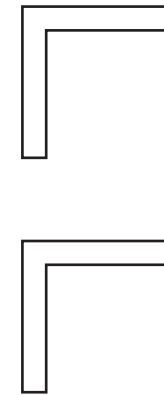


20mm



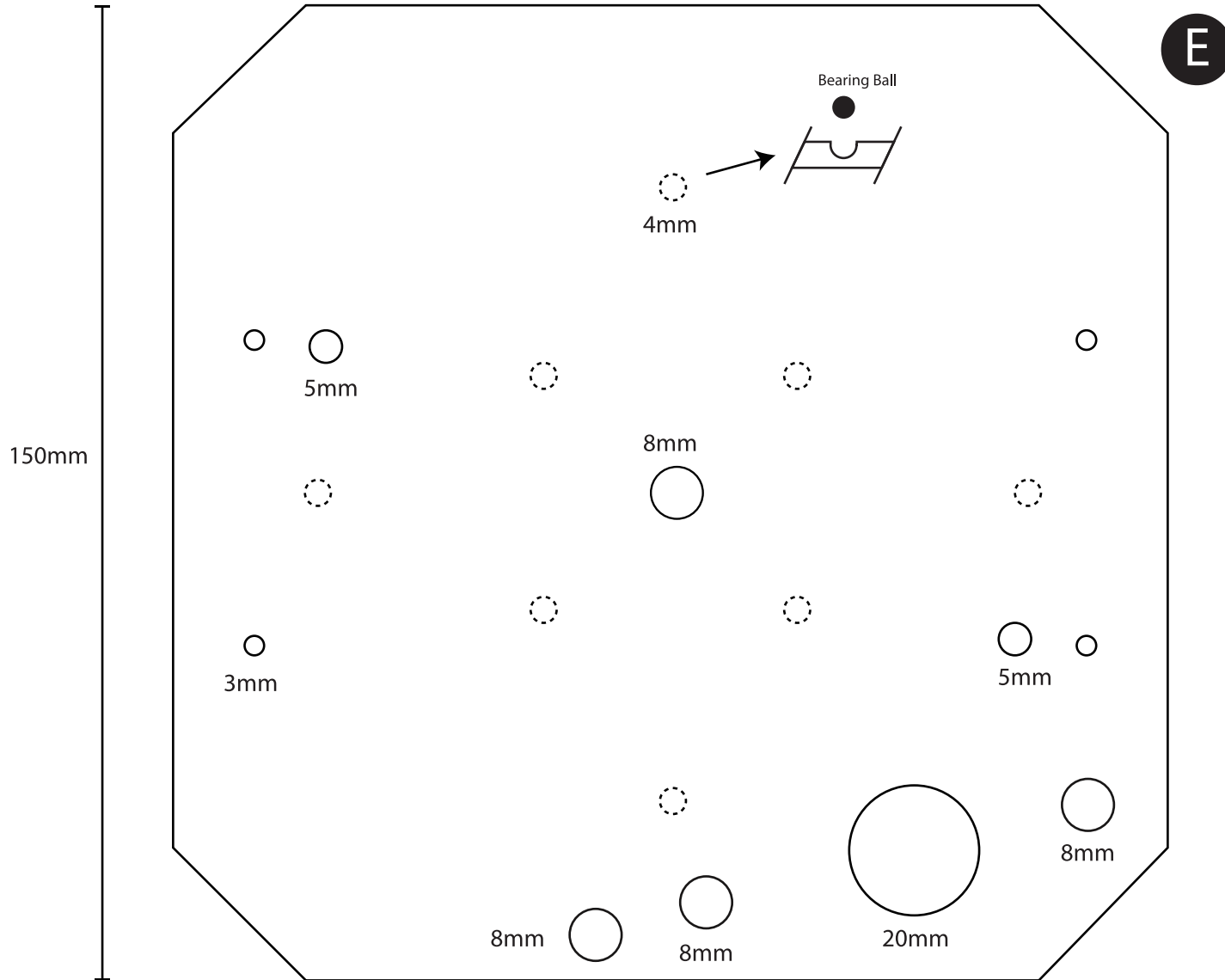
58mm

Aluminium Brackets

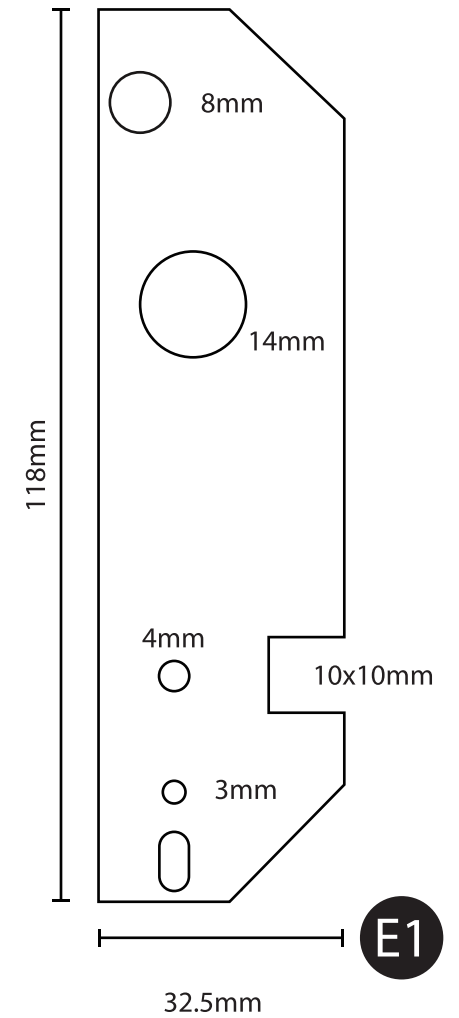


Camera Horizontal Panning main base

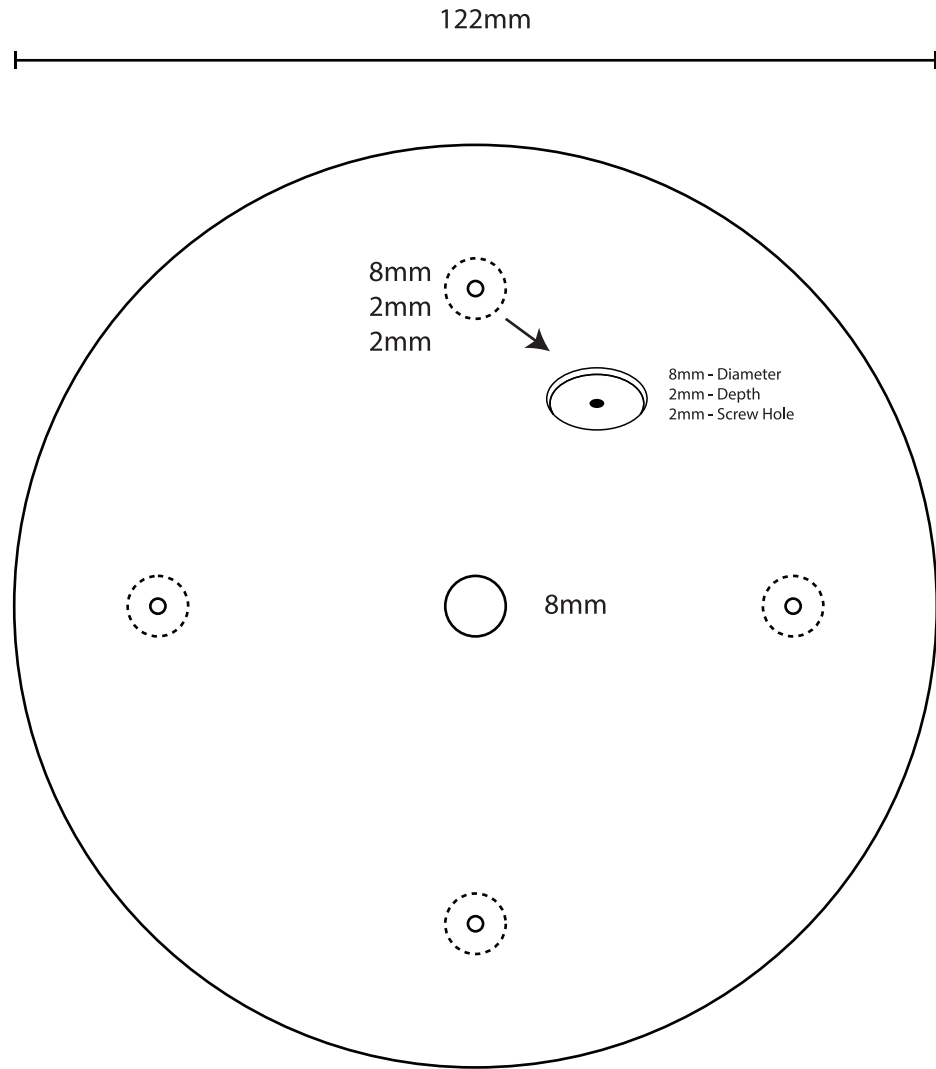
153mm



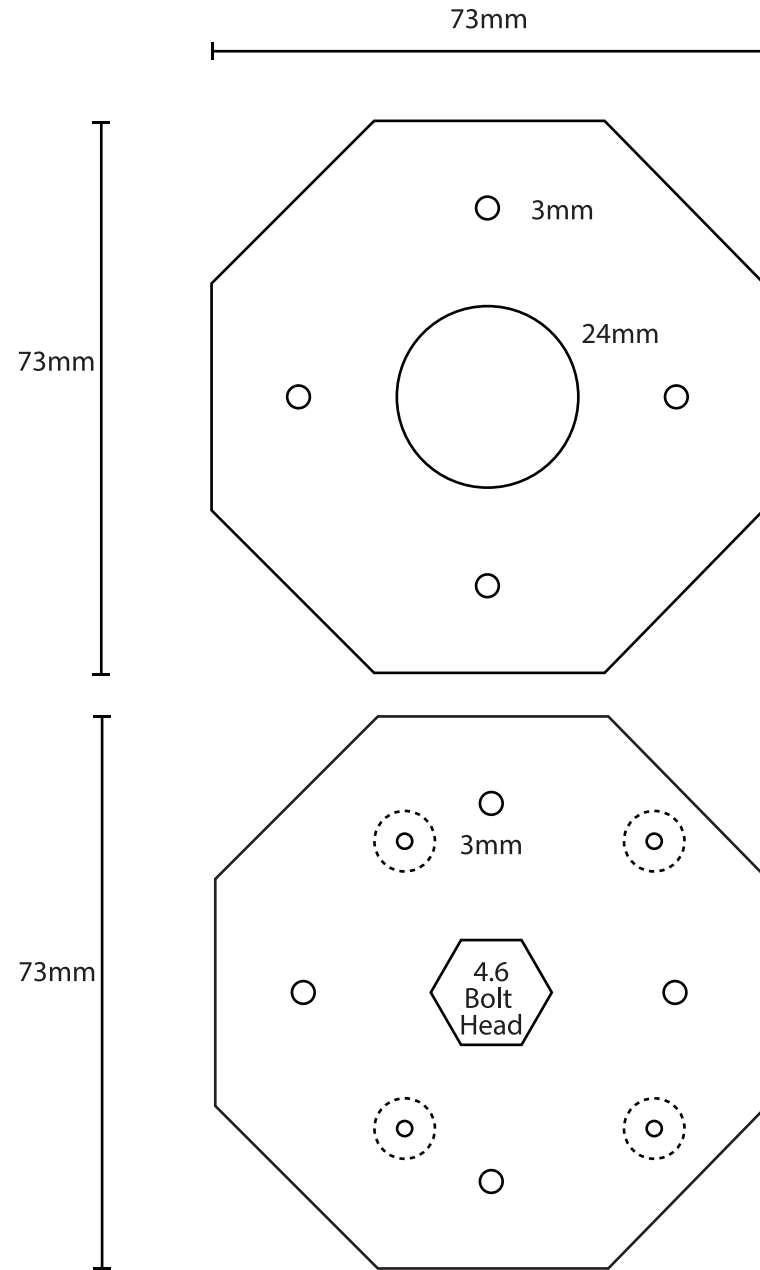
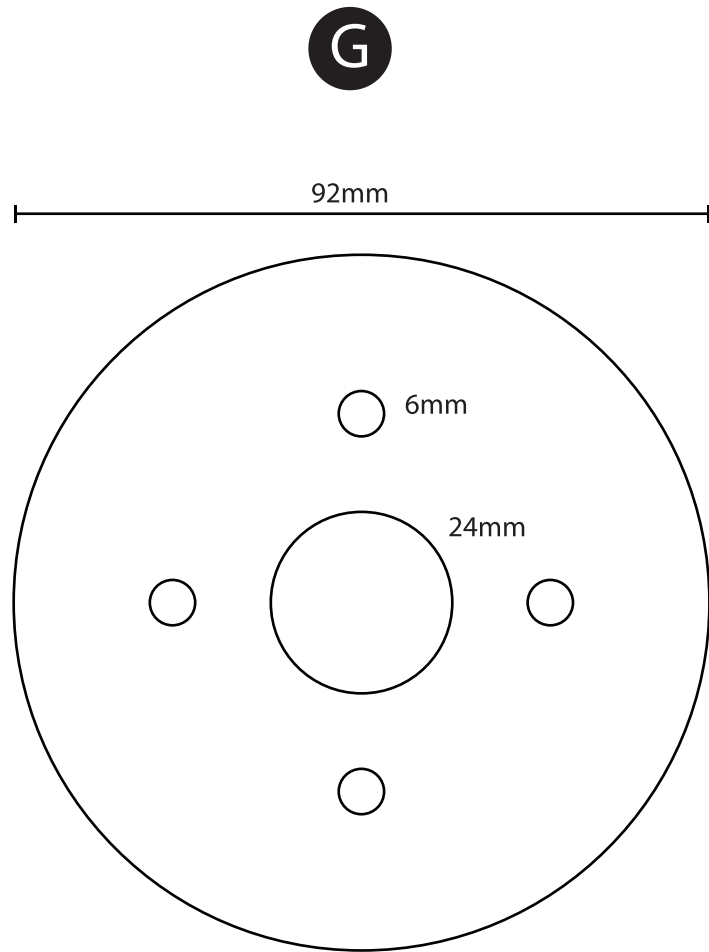
Horizontal Panning Motor Holder



Horizontal Panning Spur Gear

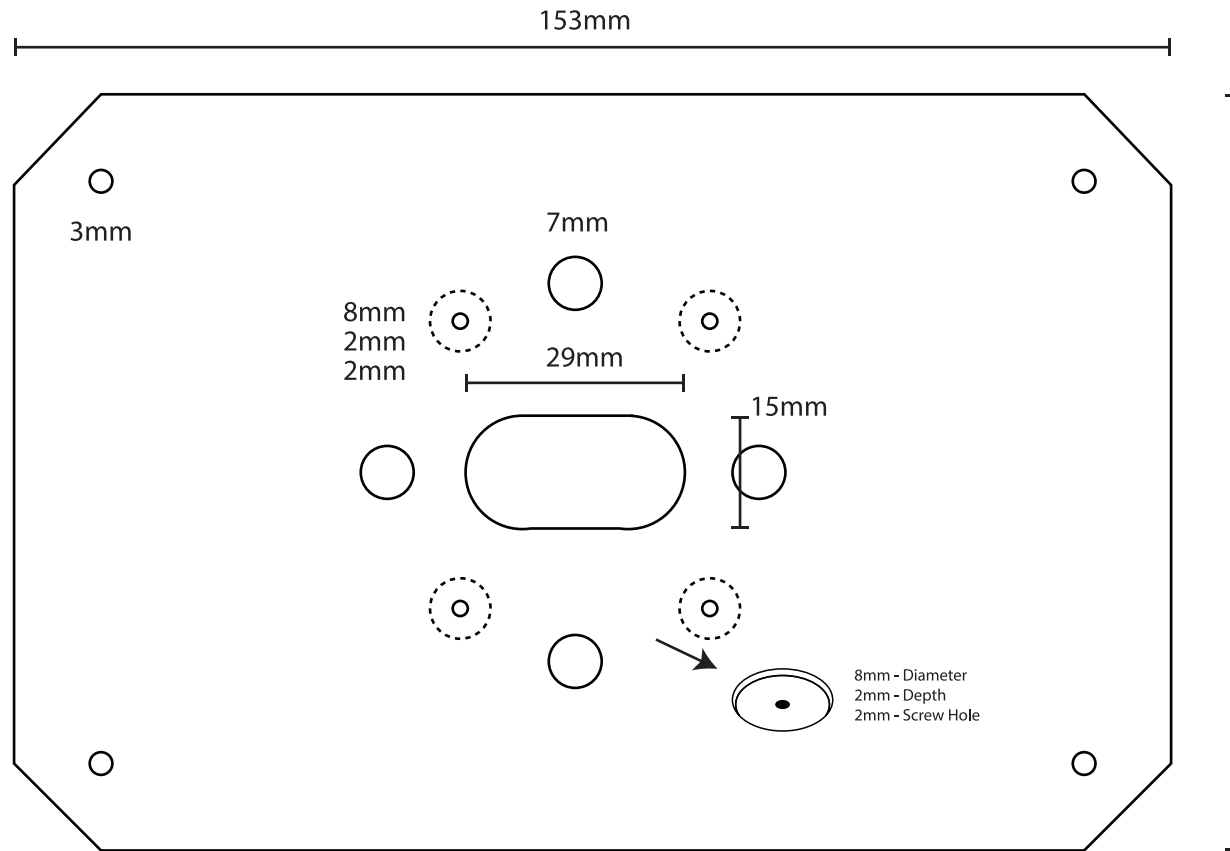


Camera Horizontal Panning base



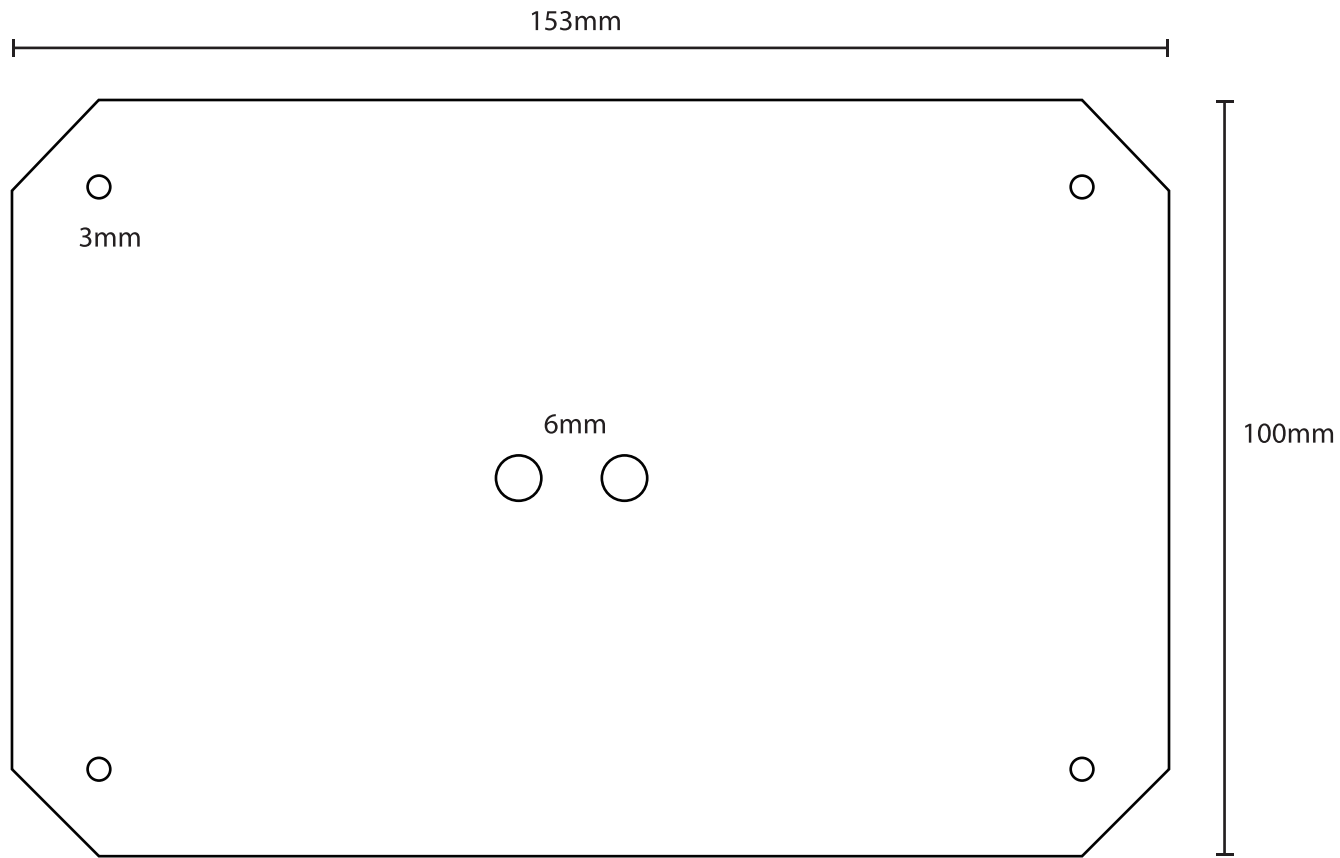
H

Camera base plate Panel 2

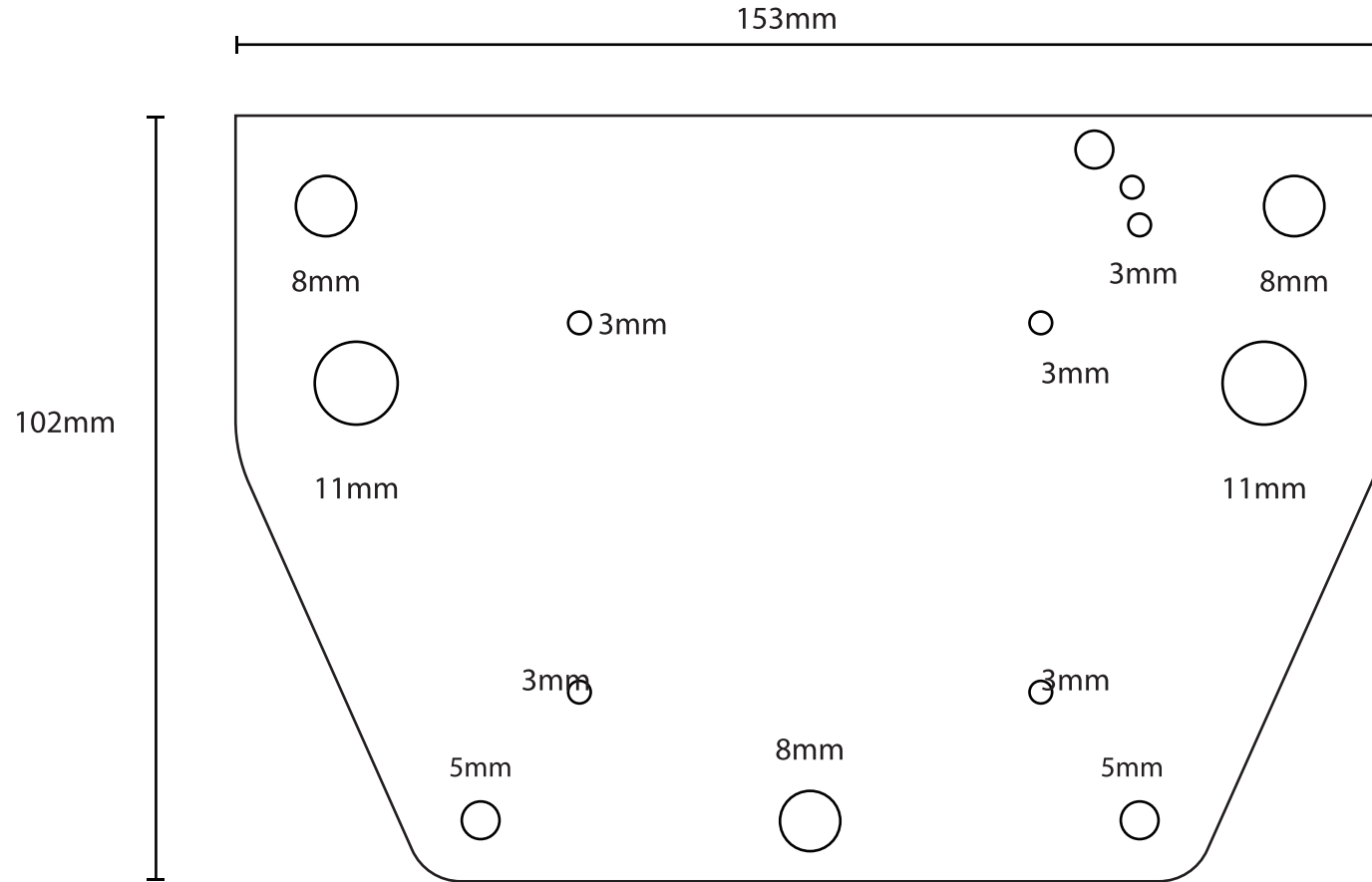


Camera base plate Panel 1

J



Front Panel



A