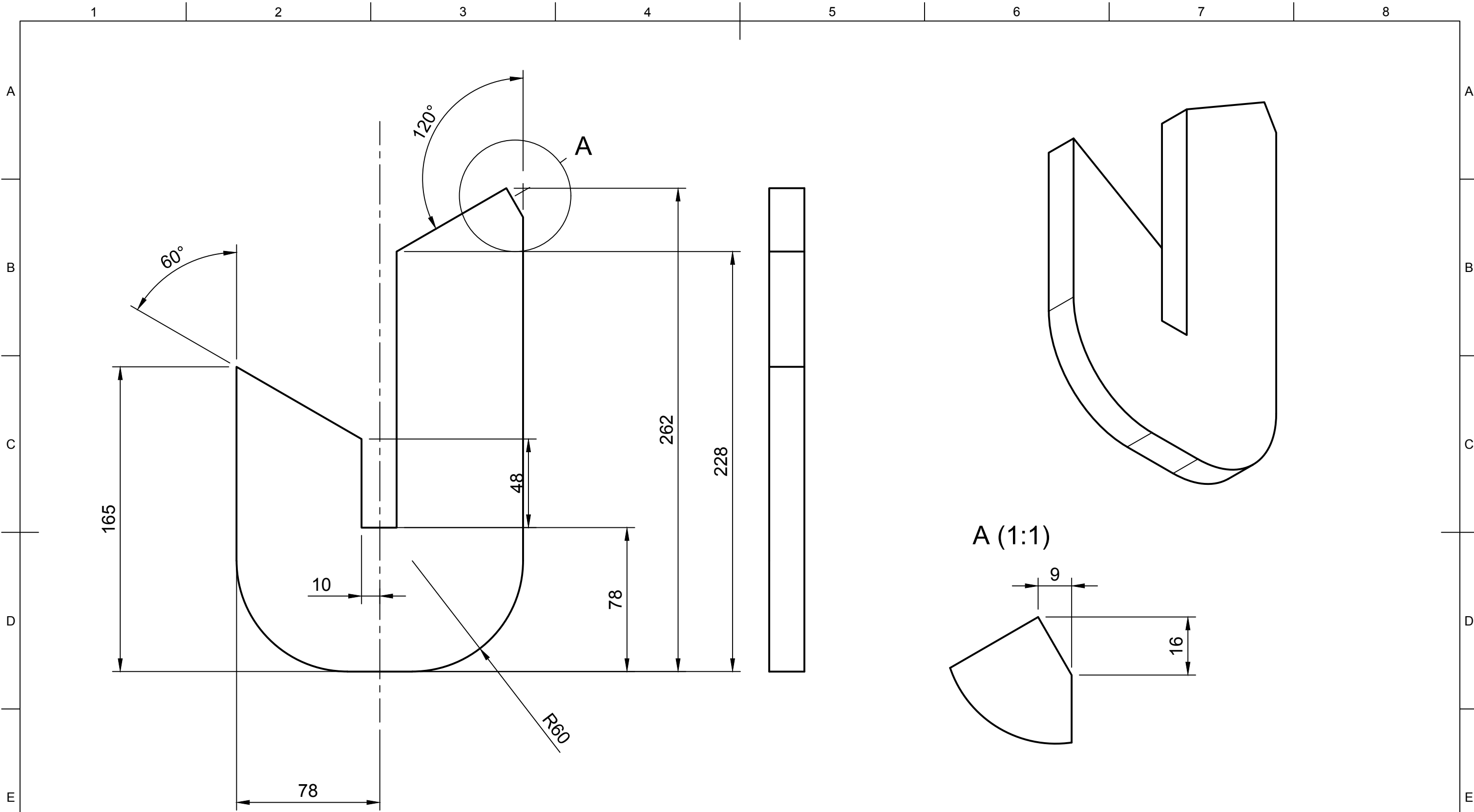


Dept.	Technical reference	Created by Michael Kurtz 2022-09-04	Approved by
		Document type	Document status
		Title Shop Stool Design Type 7 Leg Profile	DWG No.
		Rev.	Date of issue
		Sheet 1/2	



Dept.	Technical reference	Created by Michael Kurtz 2022-09-04	Approved by
		Document type	Document status
		Title Shop Stool Design Type 7 Seat Leaf	DWG No.
Rev.	Date of issue	Sheet	2/2