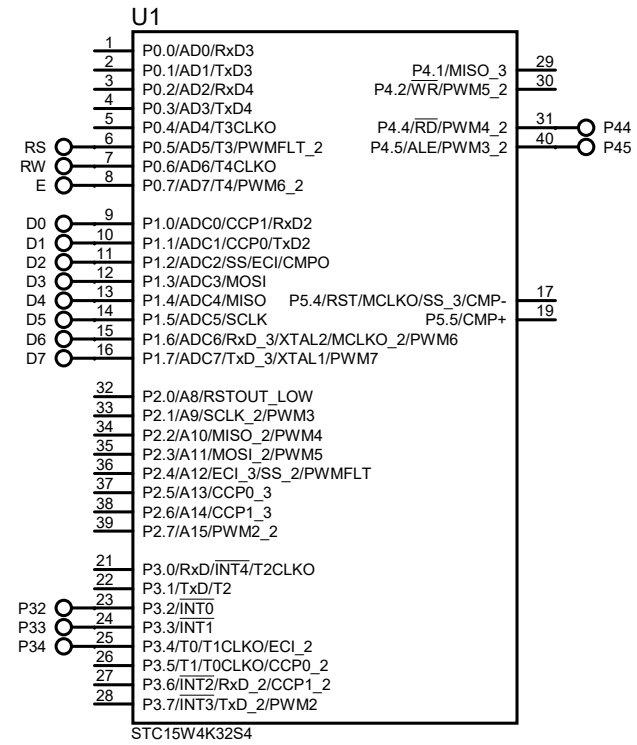
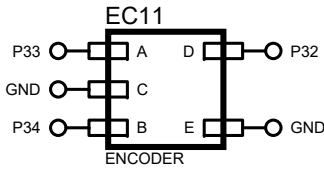
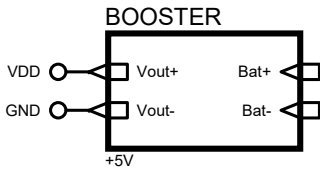
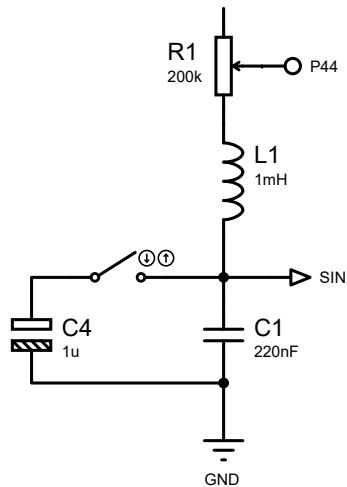
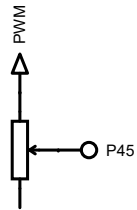
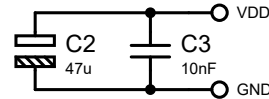
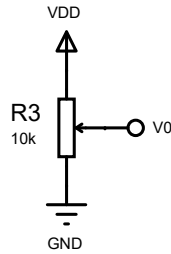
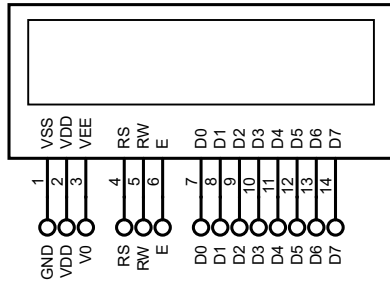


# LCD1602

LM016L



C4为可选项，在输出低频Sin时，连接C4；在输出高频Sin时，断开C4

C4 is optional. Connect C4 when output low frequency Sin wave. Disconnect C4 when output high frequency Sin wave.