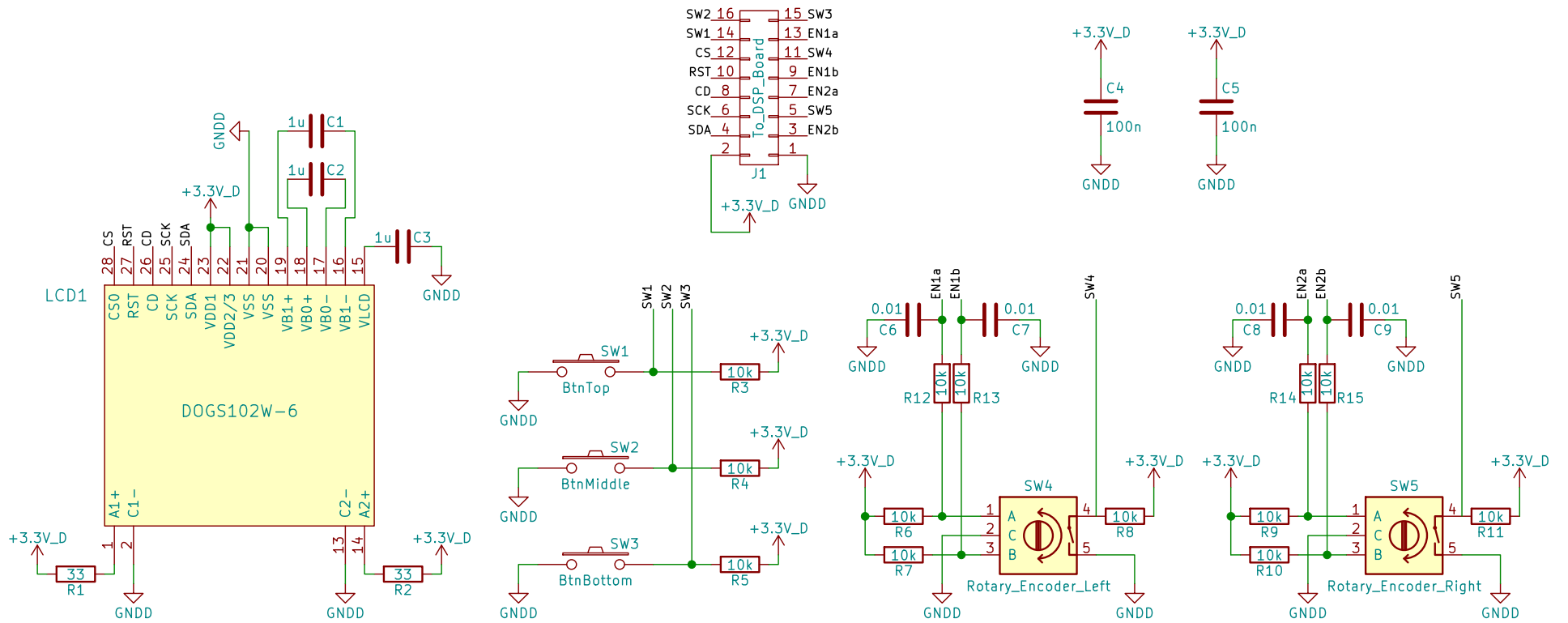


The connector J1 is mounted on the back of the PCB.



The DOGS102W-6 display shall be equipped with LED39X41-A backlight.



HB98TL

Sheet: /
File: UI-Board.sch

Title: Audioprocessor User Interface

Size: User Date: 2018-04-01

Rev: 3.0

KiCad E.D.A. kicad 4.0.6

Id: 1/1