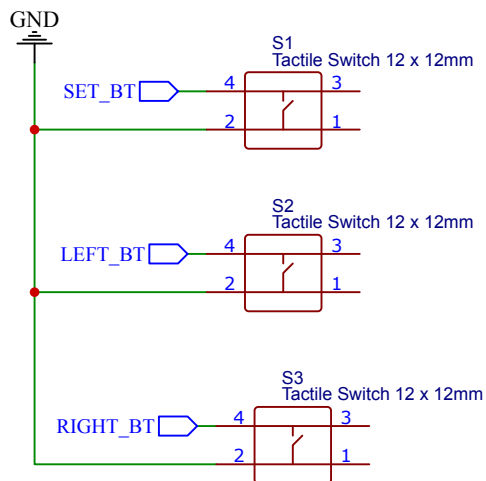
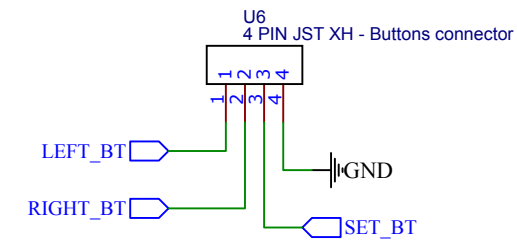
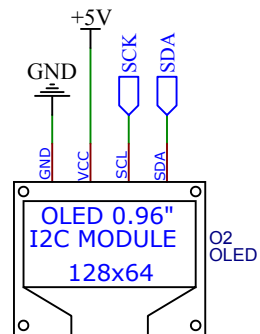
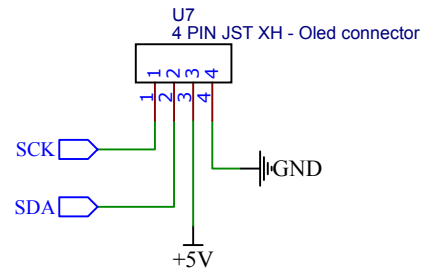


TITLE: Controller		REV: 1.0
	Company: Giovanni Aggiustatutto	Sheet: 1/1
	Date: 2024-05-25	Drawn By: Giovanni

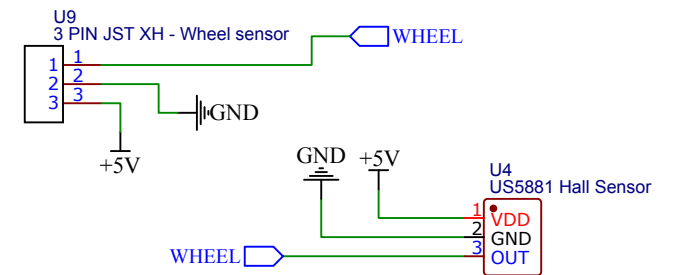
Buttons



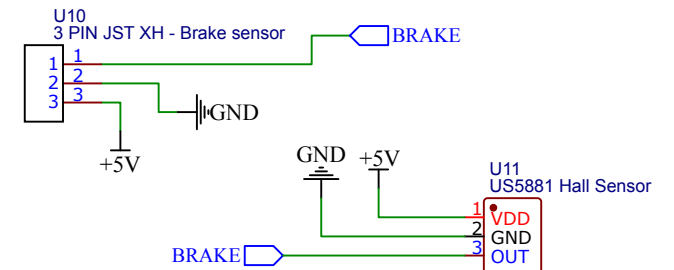
Oled display



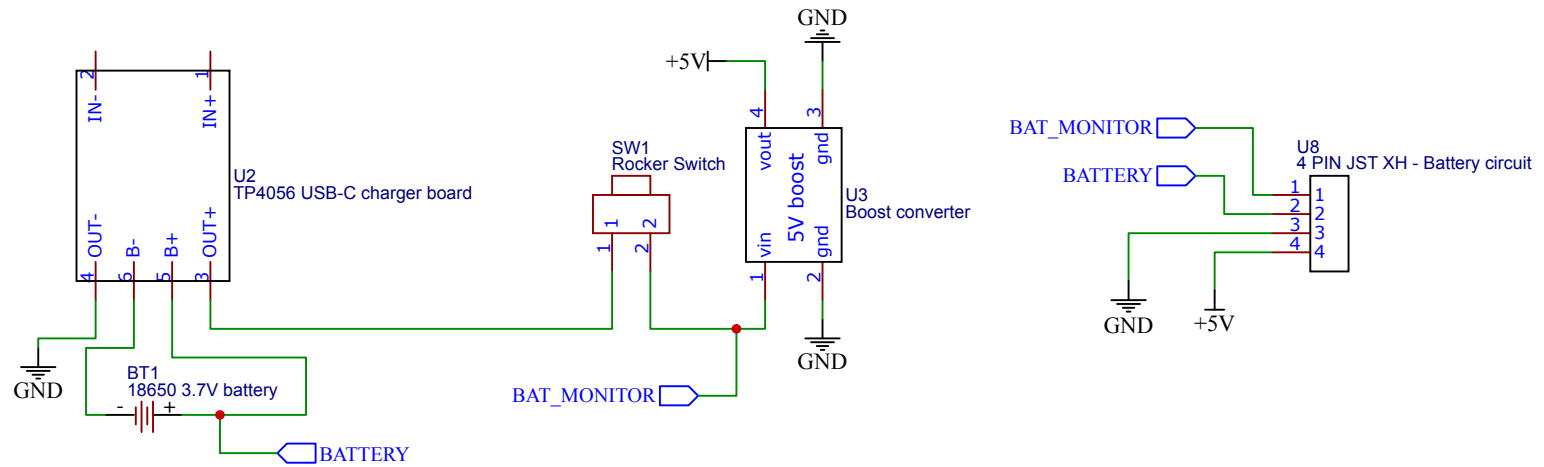
Wheel sensor




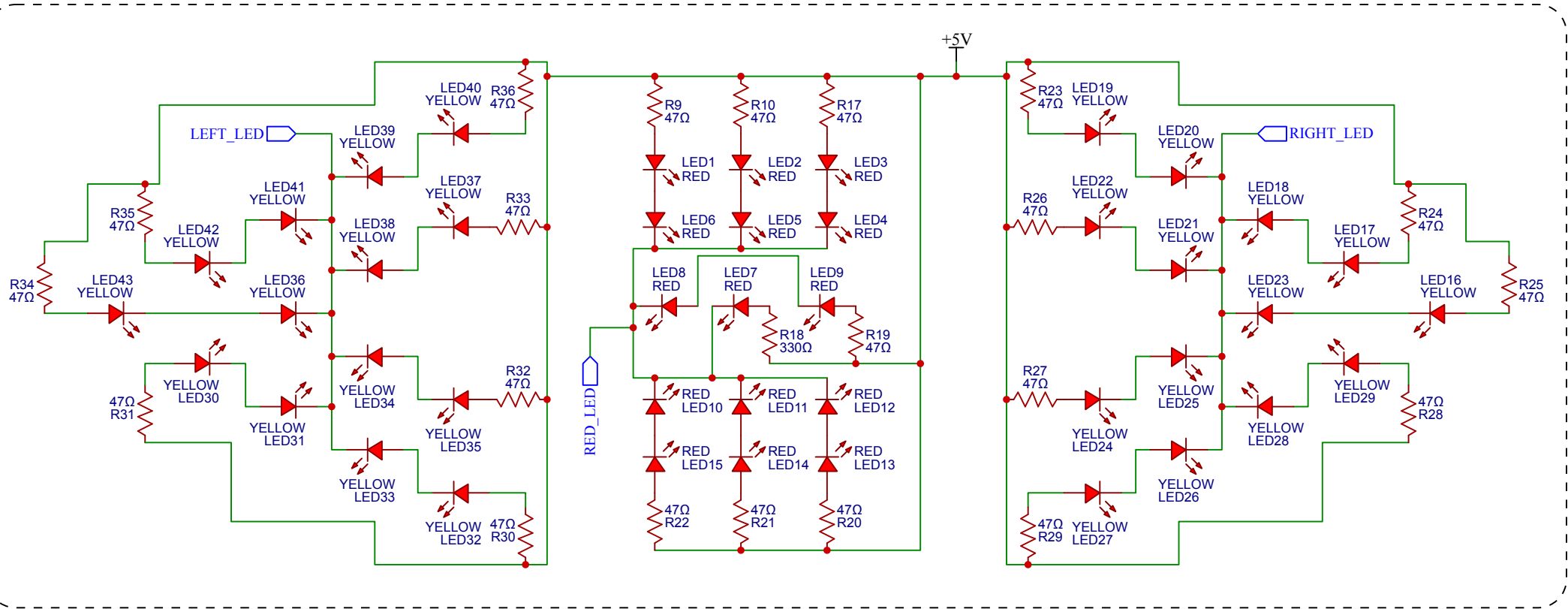
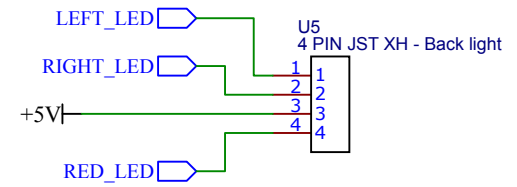
Brake sensor



TITLE:	Buttons + Oled display + Sensors	REV: 1.0
EasyEDA	Company: Giovanni Aggiustatutto	Sheet: 1/1
	Date: 2024-05-25	Drawn By: Giovanni

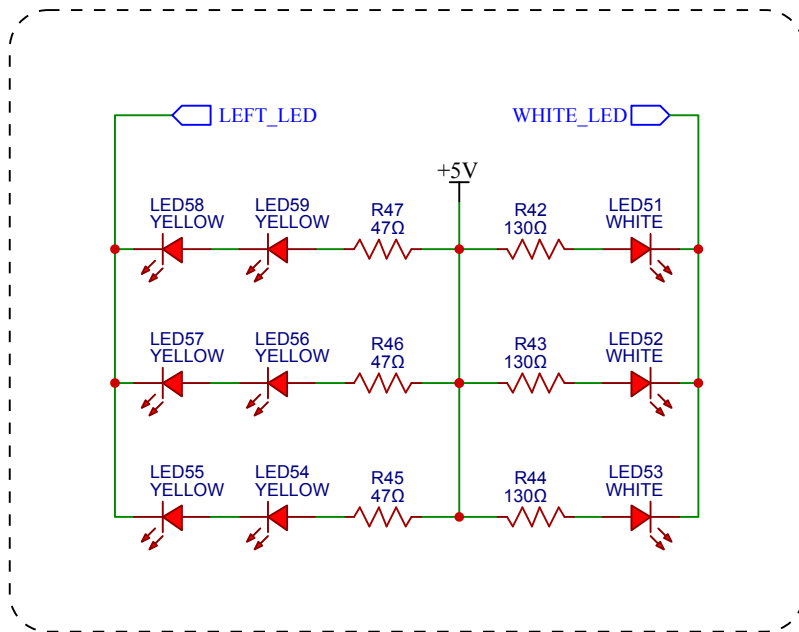
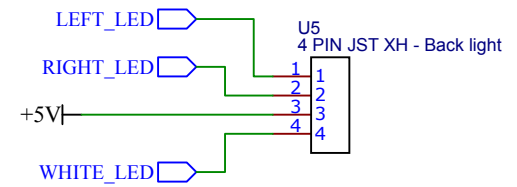


TITLE: Battery circuit		REV: 1.0
	Company: Giovanni Aggiustatutto	Sheet: 1/1
	Date: 2024-05-25 Drawn By: Giovanni	

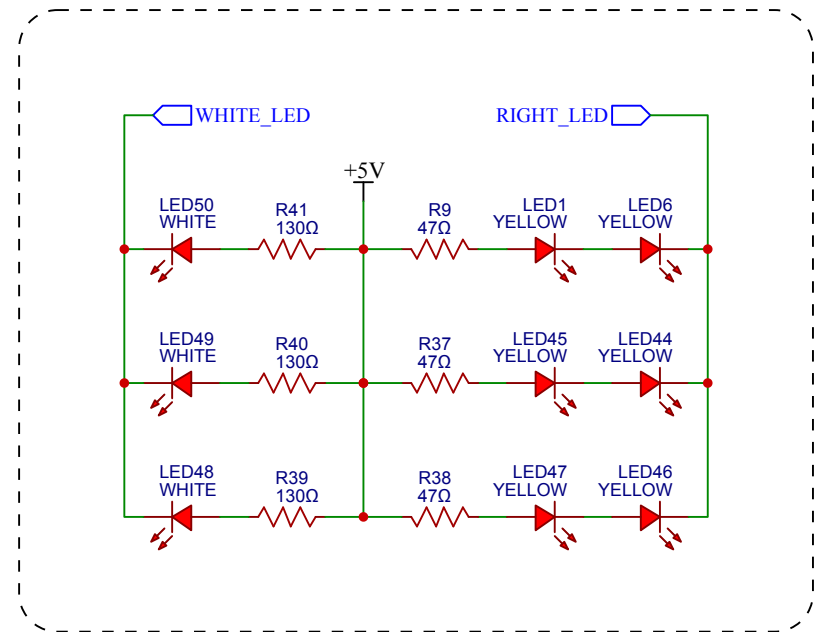


The LEDs are connected with common +5V - Pictures of the connections can be found in the Instructables guide

TITLE: Back light with turn signals		REV: 1.0
EasyEDA	Company: Giovanni Aggiustatutto	Sheet: 1/1
	Date: 2024-05-25	Drawn By: Giovanni



Left front light



Right front light

The LEDs are connected with common +5V - Pictures of the connections can be found in the Instructables guide

TITLE: Front lights with turn signals		REV: 1.0
EasyEDA	Company: Giovanni Aggiustatutto	Sheet: 1/1
	Date: 2024-05-25	Drawn By: Giovanni