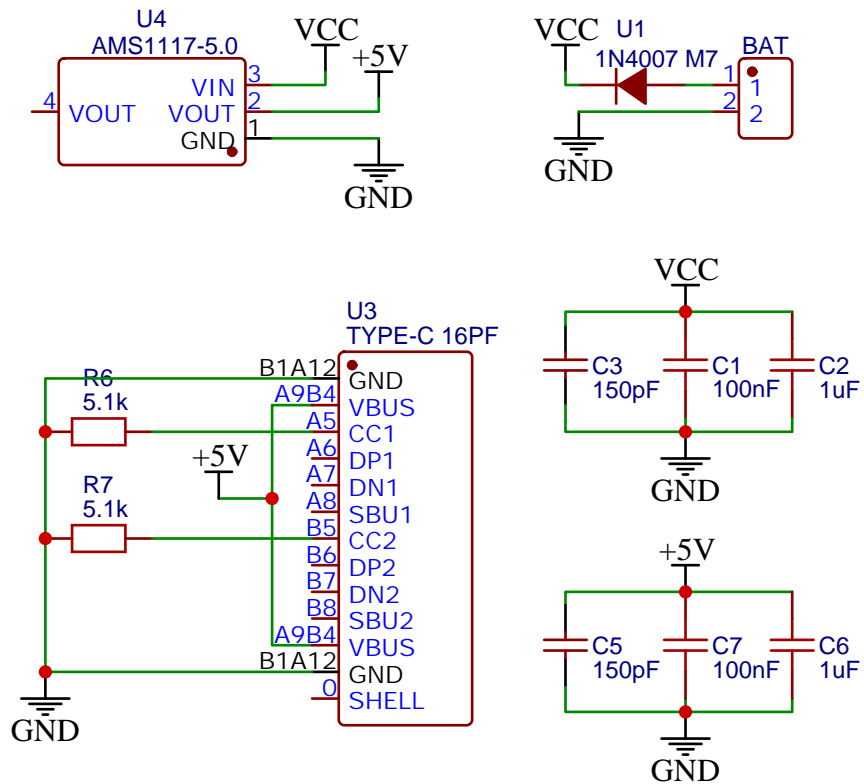
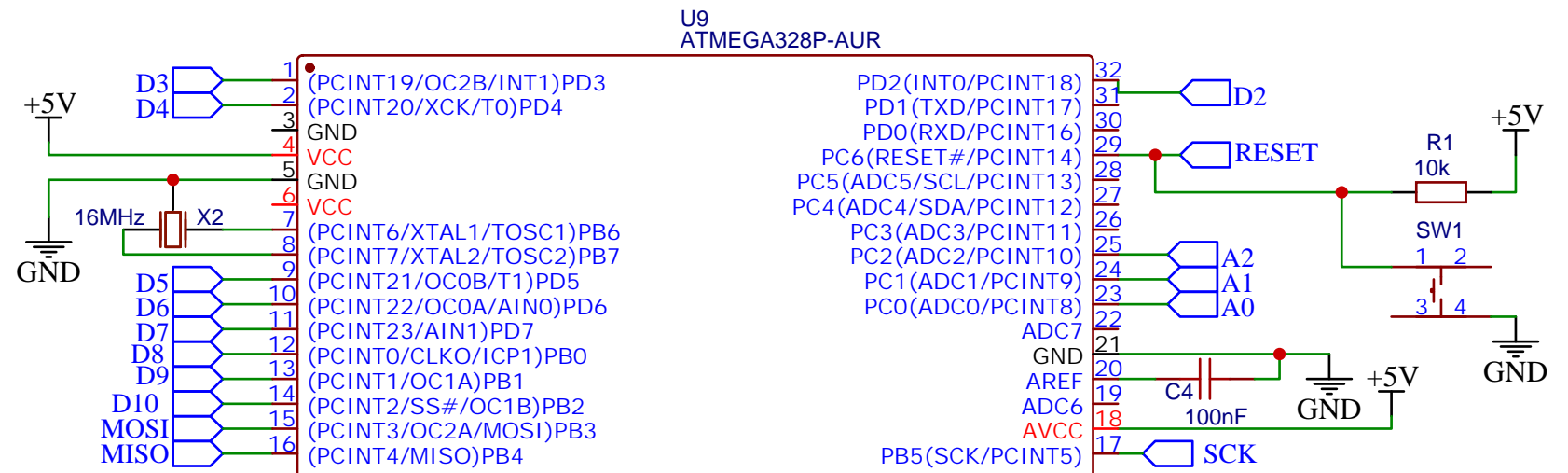


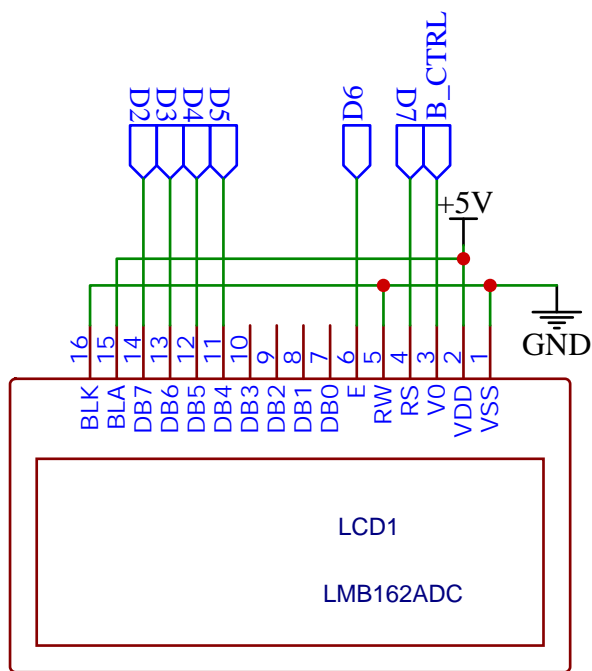
INPUT POWER AND FILTER



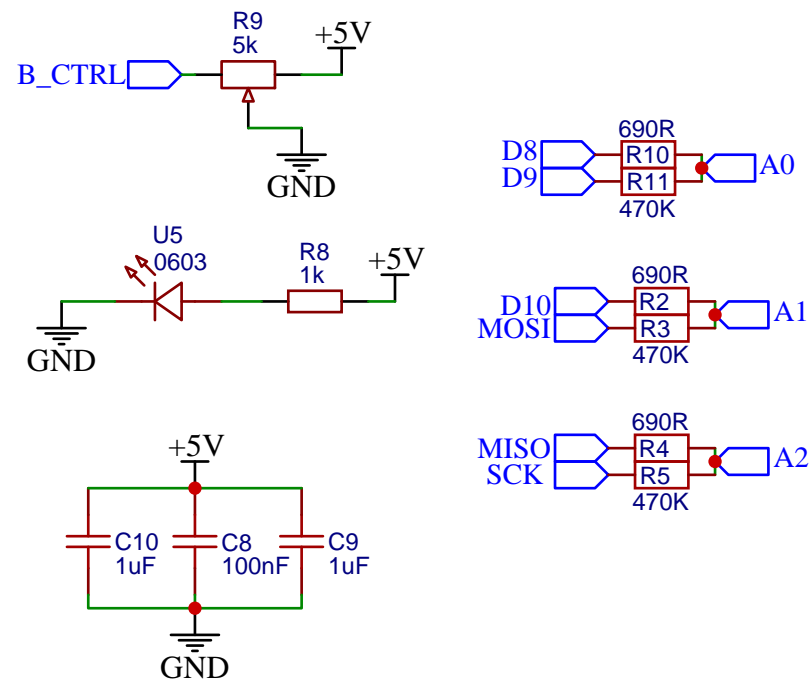
MICROCONTROLLER SECTION



LCD



CONTROL



PROGRAMMING AND OUTPUT HEADERS

