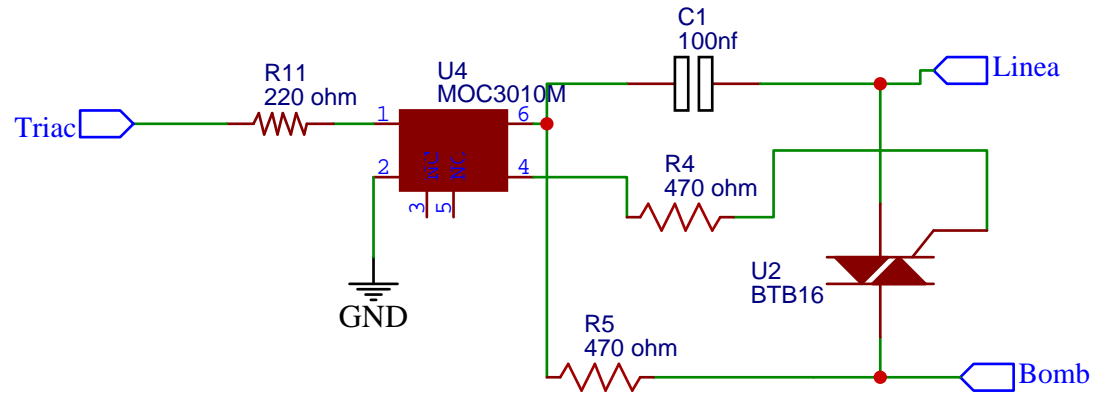
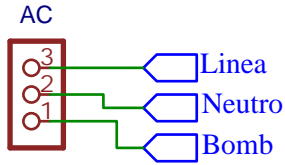


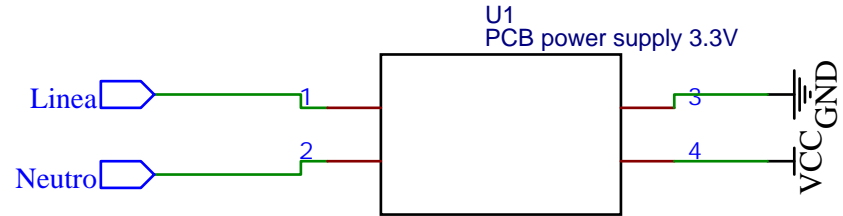
ESP8266 Connector



Triac, High Power

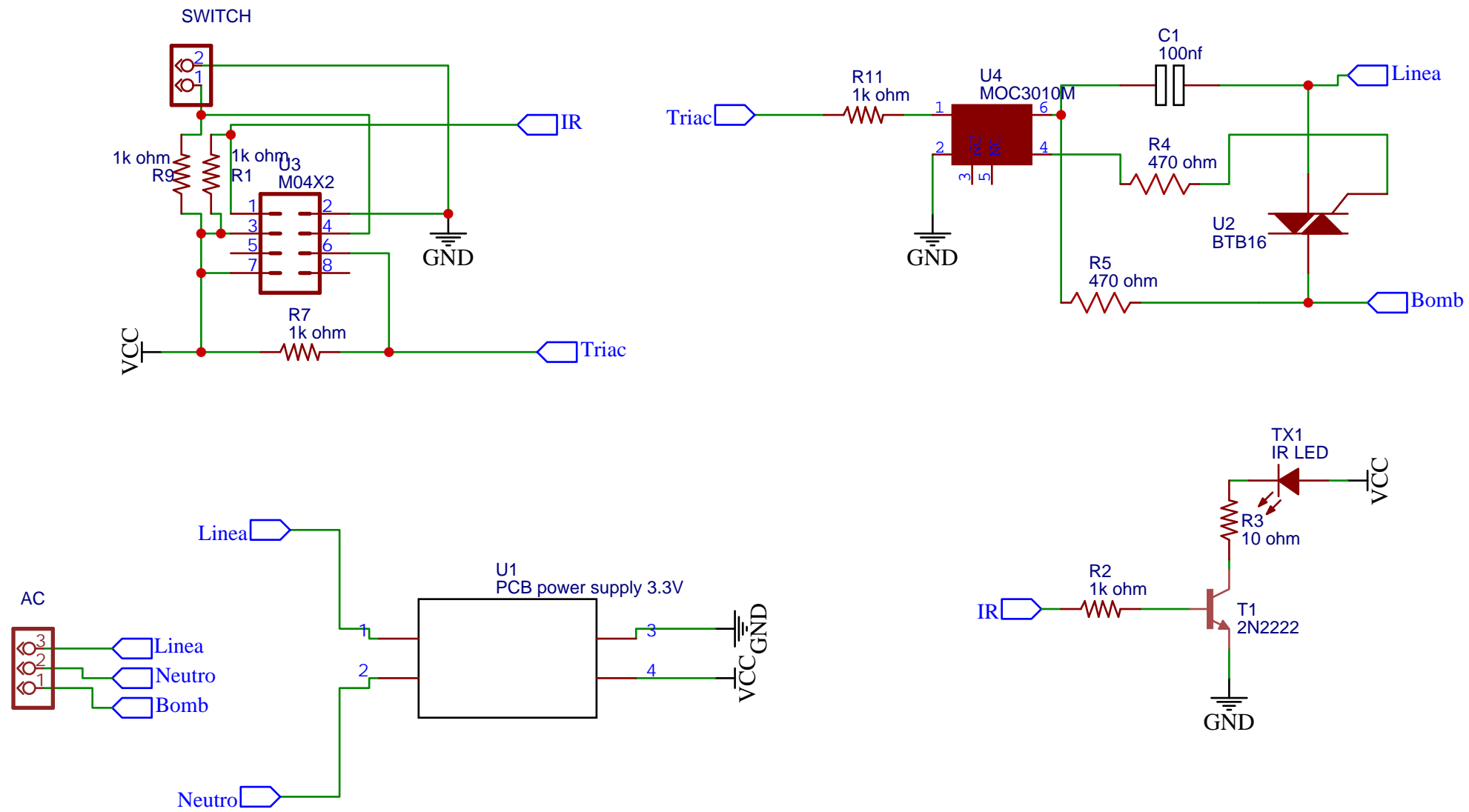


Terminal Block



Power Supply

TITLE: WiFi Switch		REV: 1.0
	Company: mcmchris	Sheet: 1/1
	Date: 2019-06-07	Drawn By: Christopher Mendez



TITLE: WiFi Switch		REV: 1.0
	Company: mcmchris	Sheet: 1/1
	Date: 2019-06-07	Drawn By: Christopher Mendez