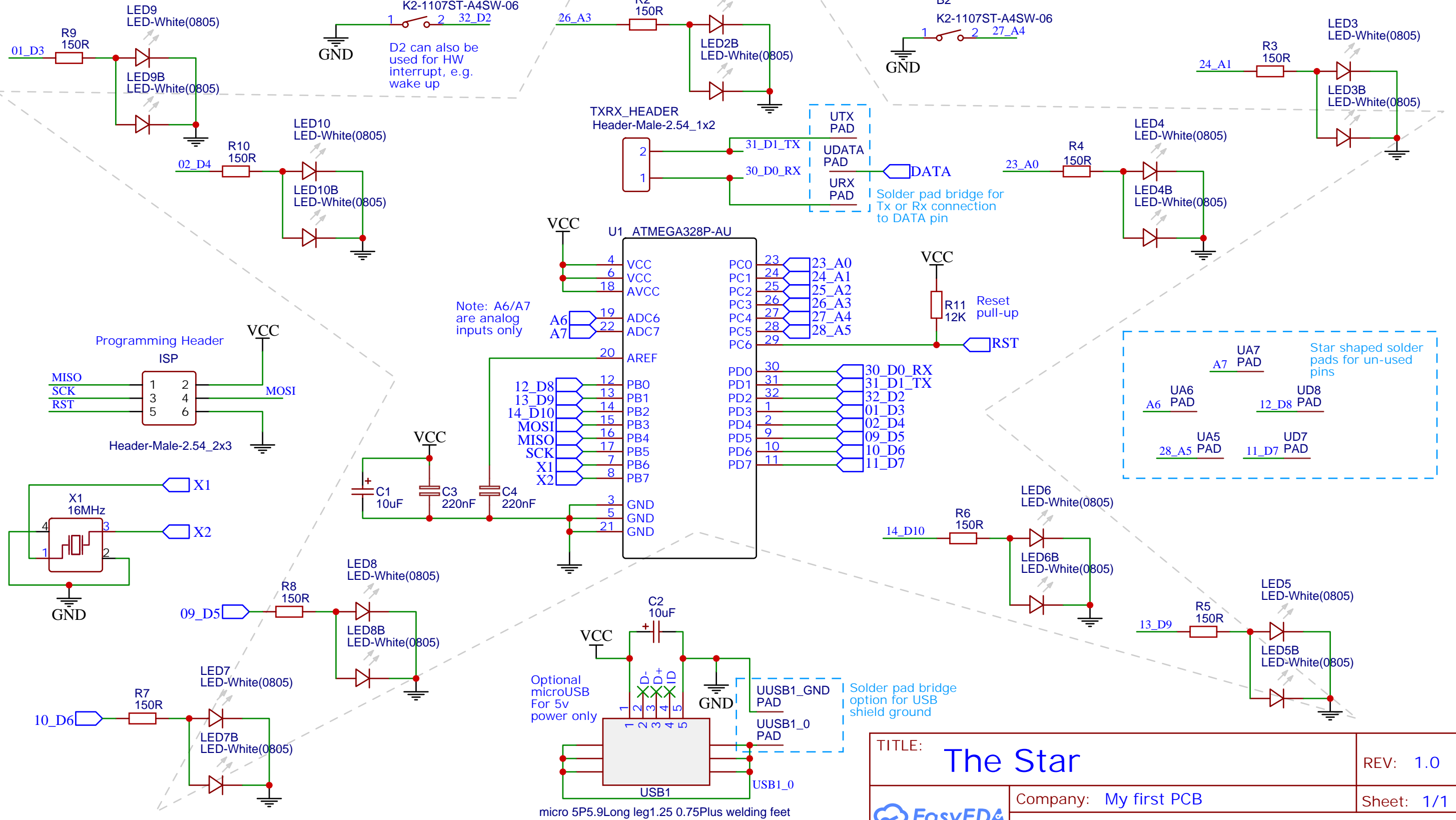


# The Star

- Arduino/ATMEGA328 based LED star
- 10x LEDs, x2 sides = 20 LEDs total
  - Surface mount
  - ISP programming header
  - microUSB power connector
  - no crystal (internal 8MHz)



TITLE: <b>The Star</b>		REV: 1.0
Company: My first PCB		Sheet: 1/1
Date: 2019.03 - 2020.01		Drawn By: neil.parris

