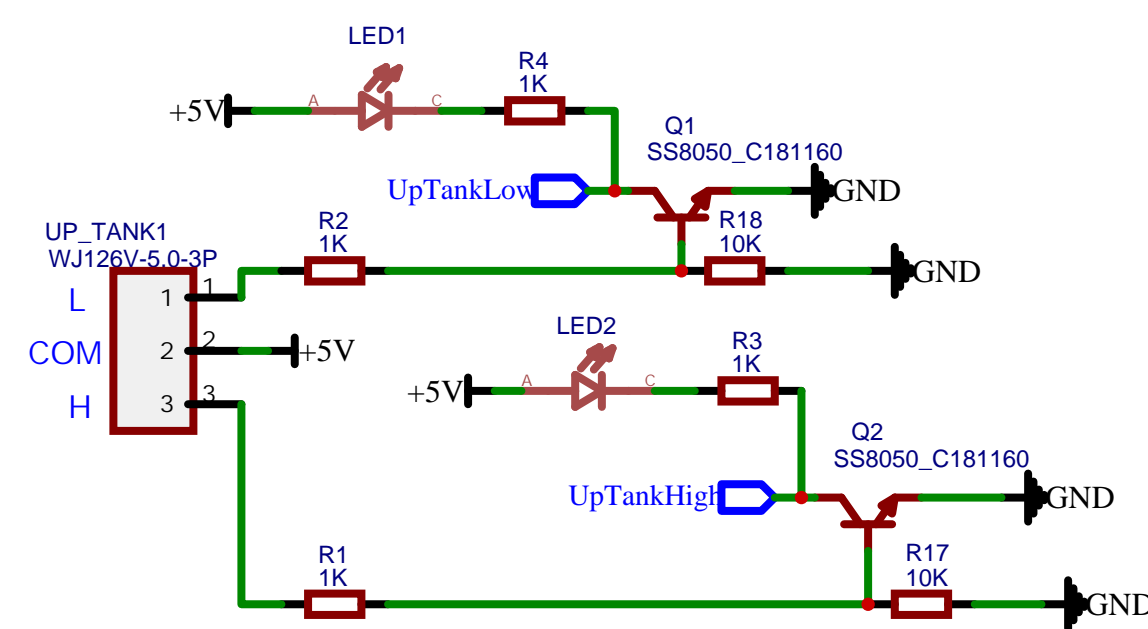
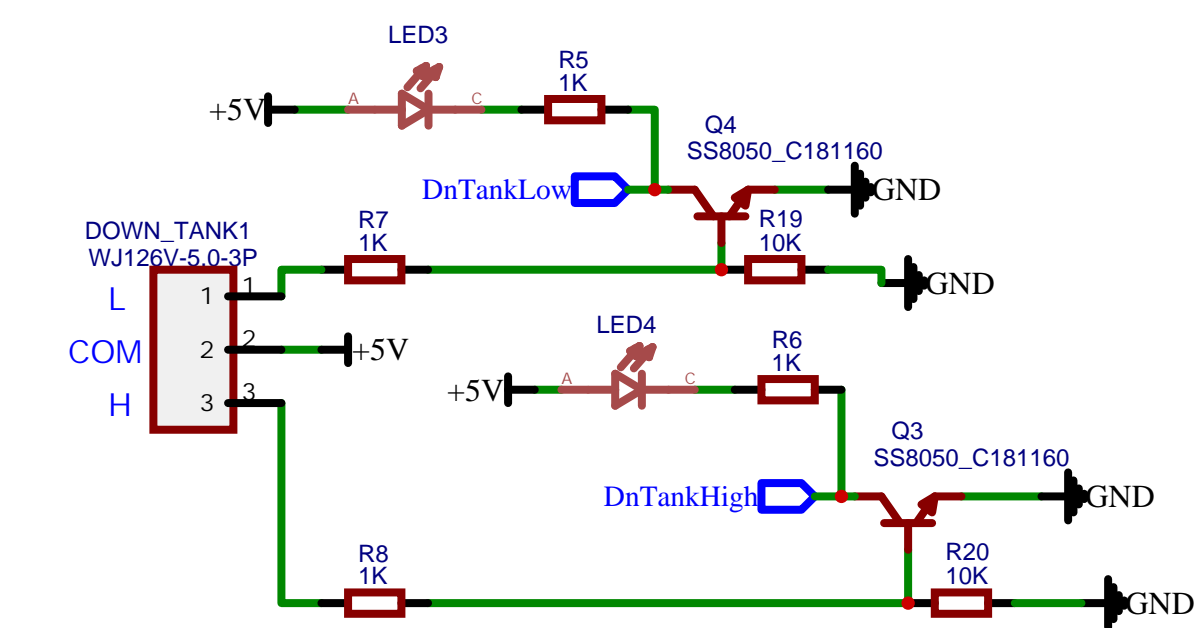


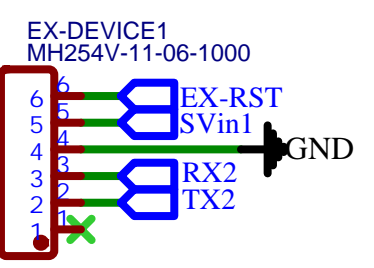
ESP32



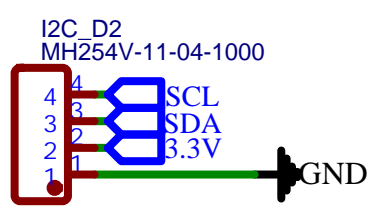
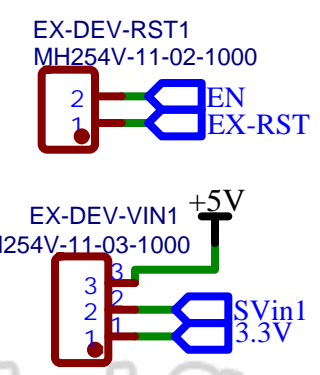
Float Switch Sensor



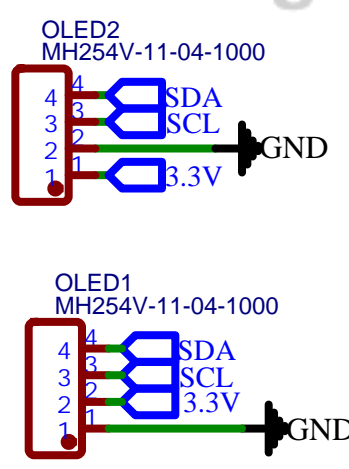
LEDs



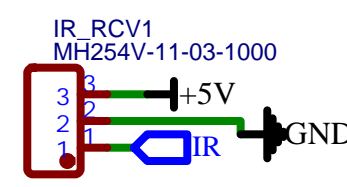
External Serial Device



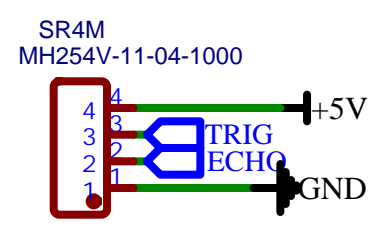
I2C Device



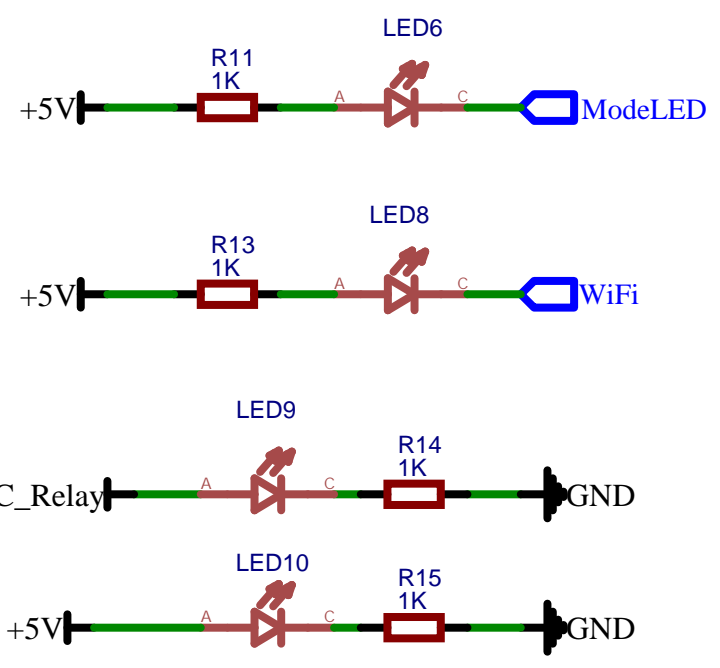
OLED Display



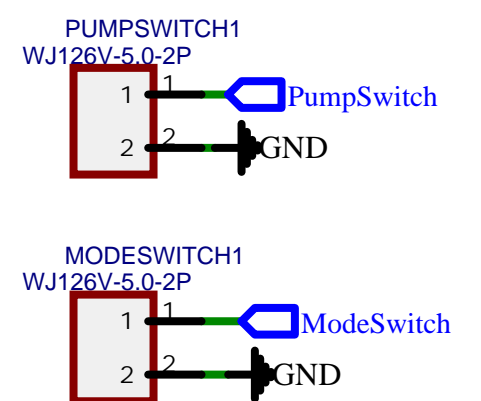
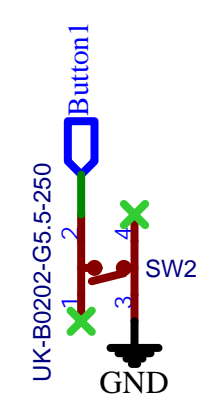
IR Sensor



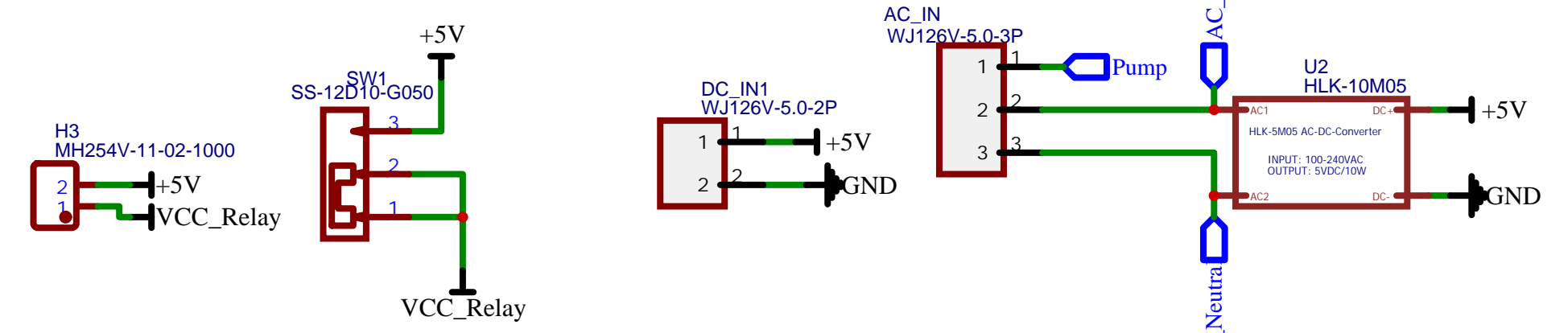
Ultrasonic Sensor



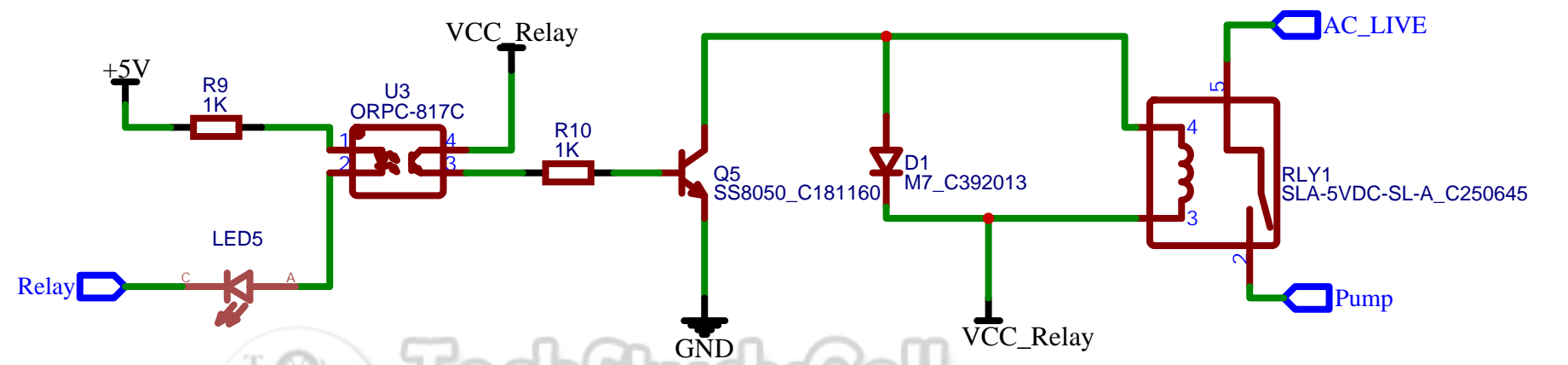
Switches



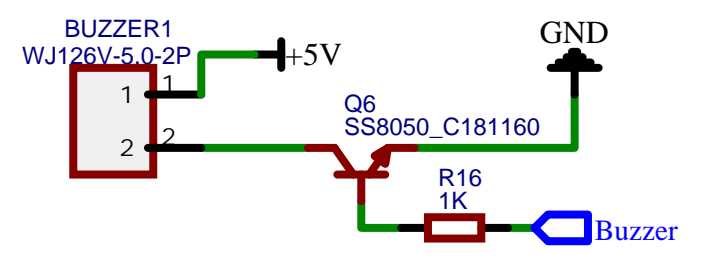
Power Supply



Relay



Buzzer



TITLE: ESP32 Water Pump Controller V2		REV: 1.0
Company: Tech Studycell		Sheet: 1/1
Date: 2023-02-22	Drawn By: Subhajit Das	