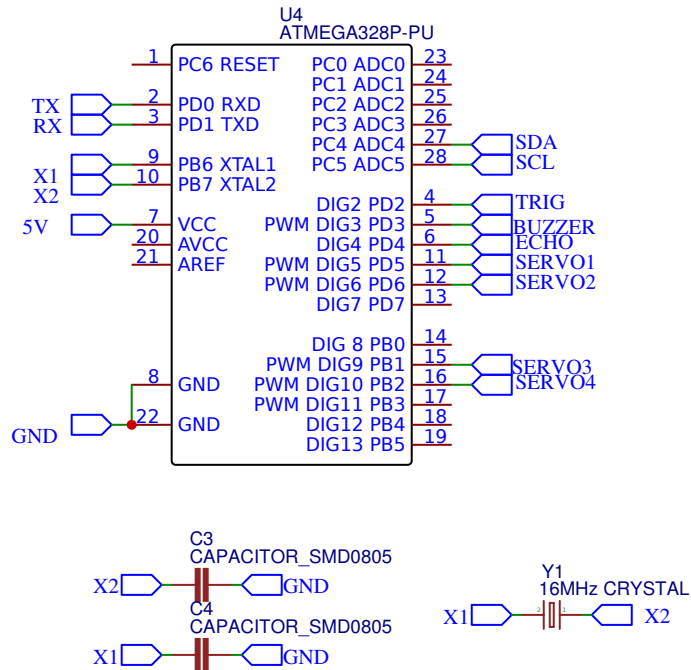
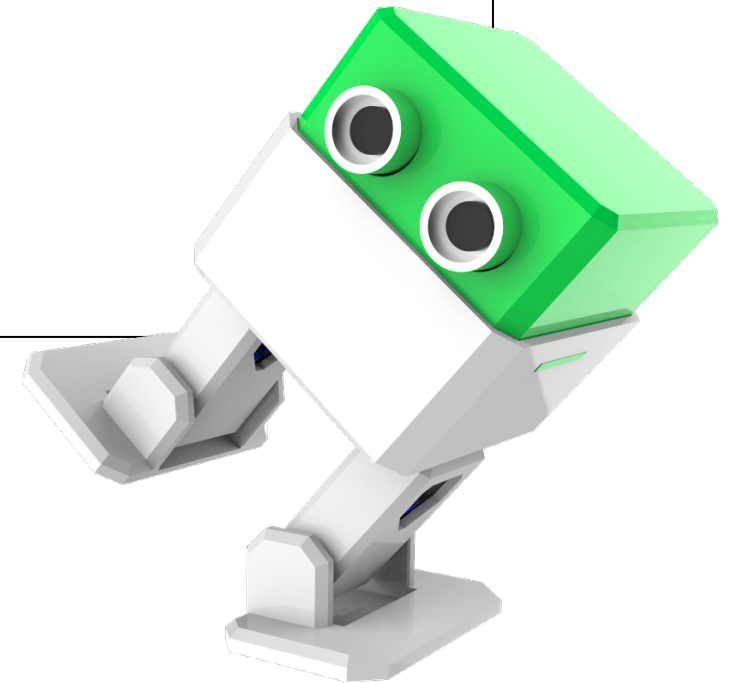
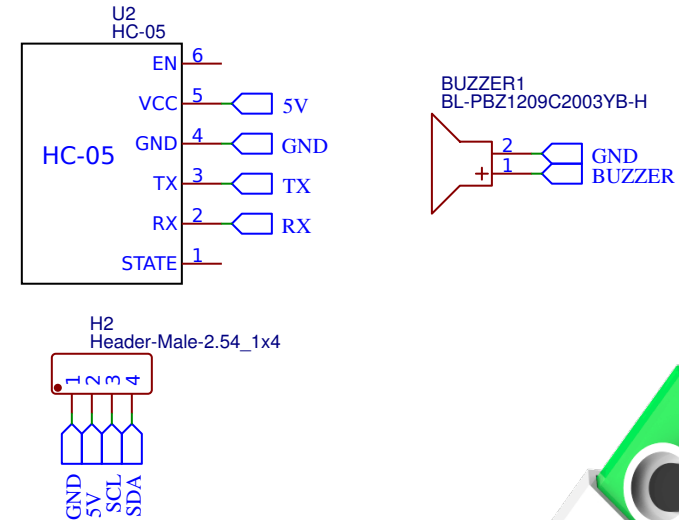


ARDUINO OTTO ROBOT

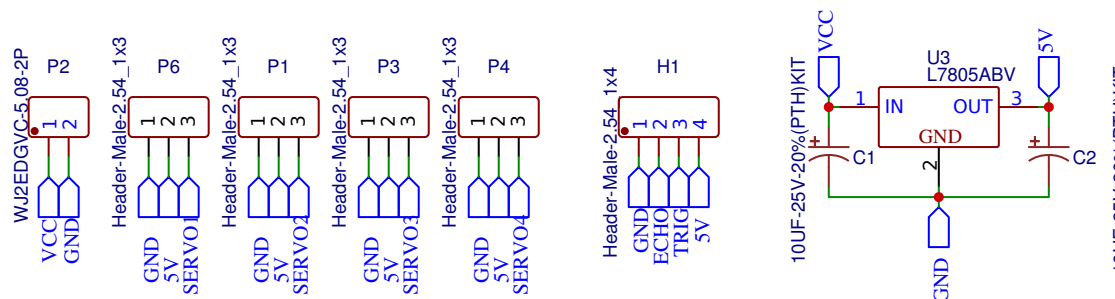
MCU ATMEGA328P



CONNECTION & NOTIFICATION



HEADER TERMINALS



TITLE:	Arduino OTTO robot	REV: 1.0
Company:	Your Company	Sheet: 1/1
Date:	2019-06-23	Drawn By: BEE_MB

