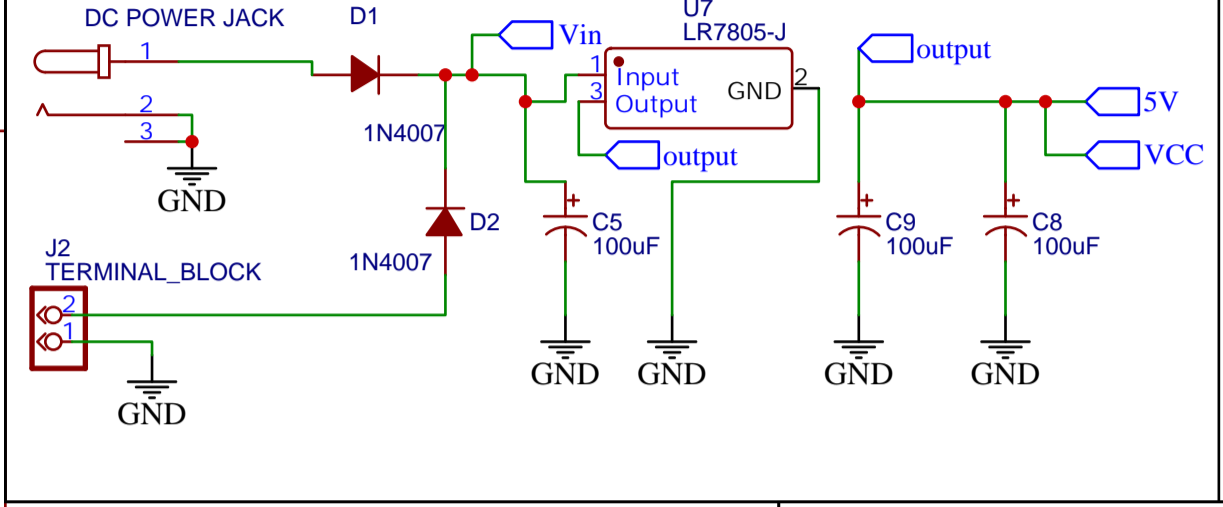




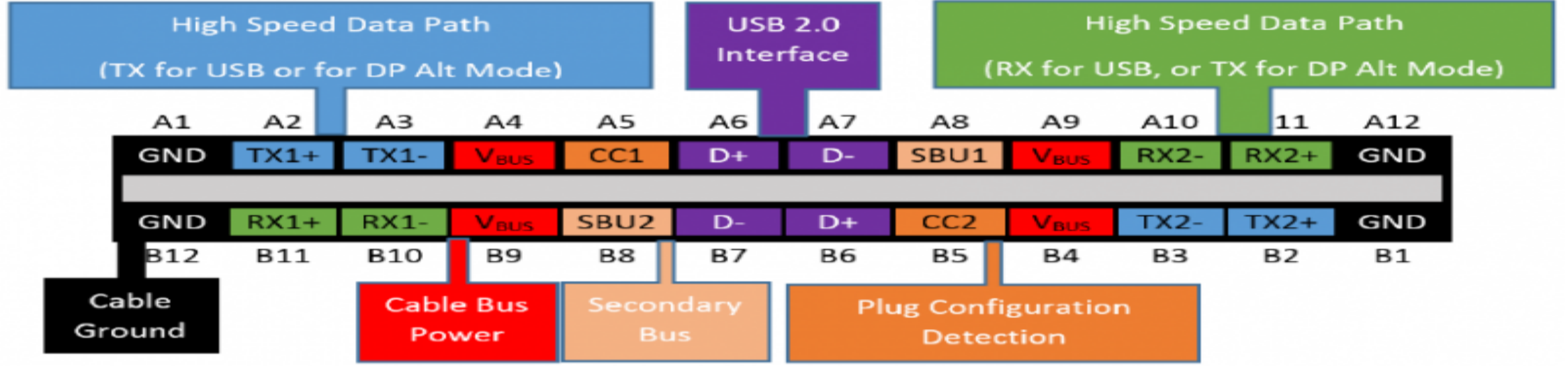
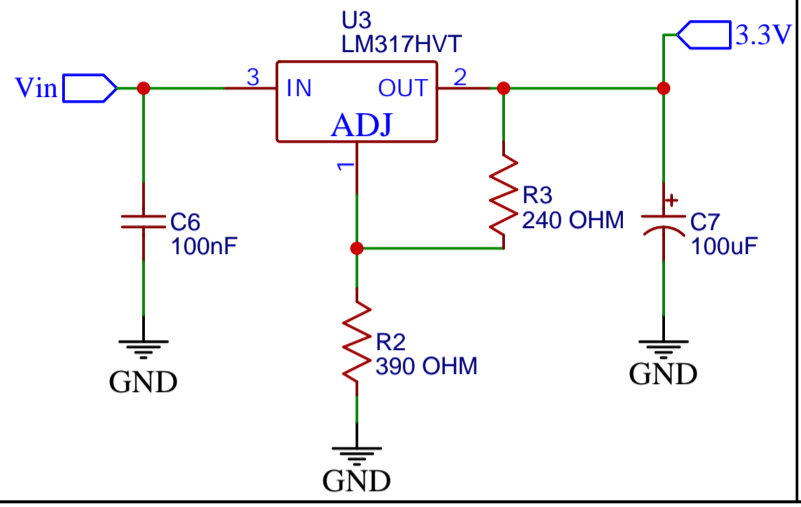
MiniVieNO Rev-1

POWER SUPPLY

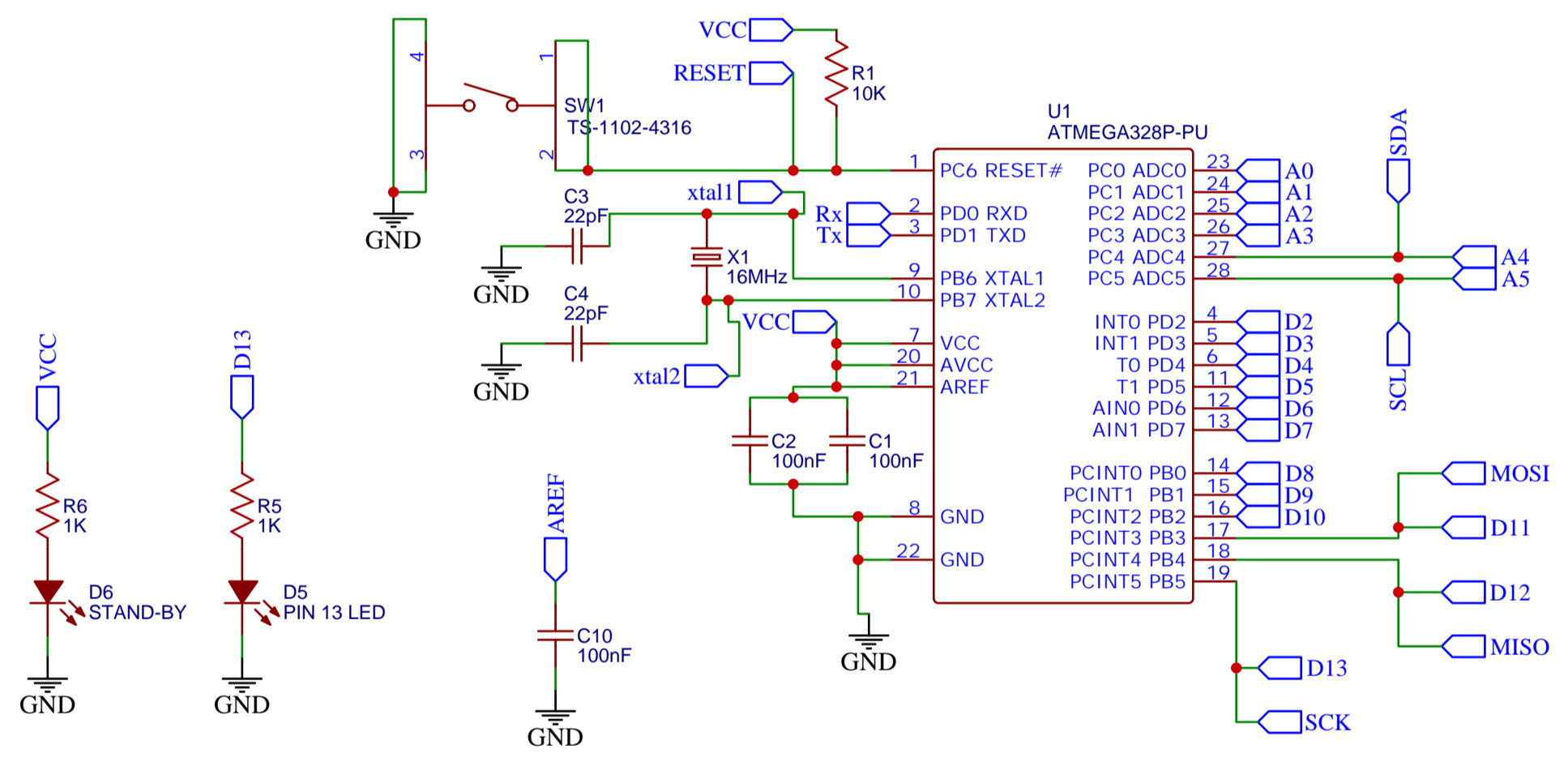
5V REGULATION



3.3V REGULATION



Micro Processor

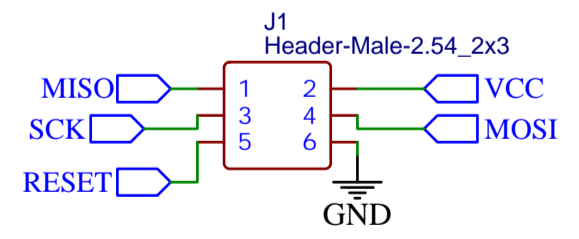


The Mini-VieNo is a custom Arduino-compatible board designed with flexibility and ease of use in mind. It features a C-type USB connector for modern connectivity and programming convenience. The board offers three distinct voltage breakouts: 5V, 3.3V, and 12V, catering to a wide range of peripherals and modules.

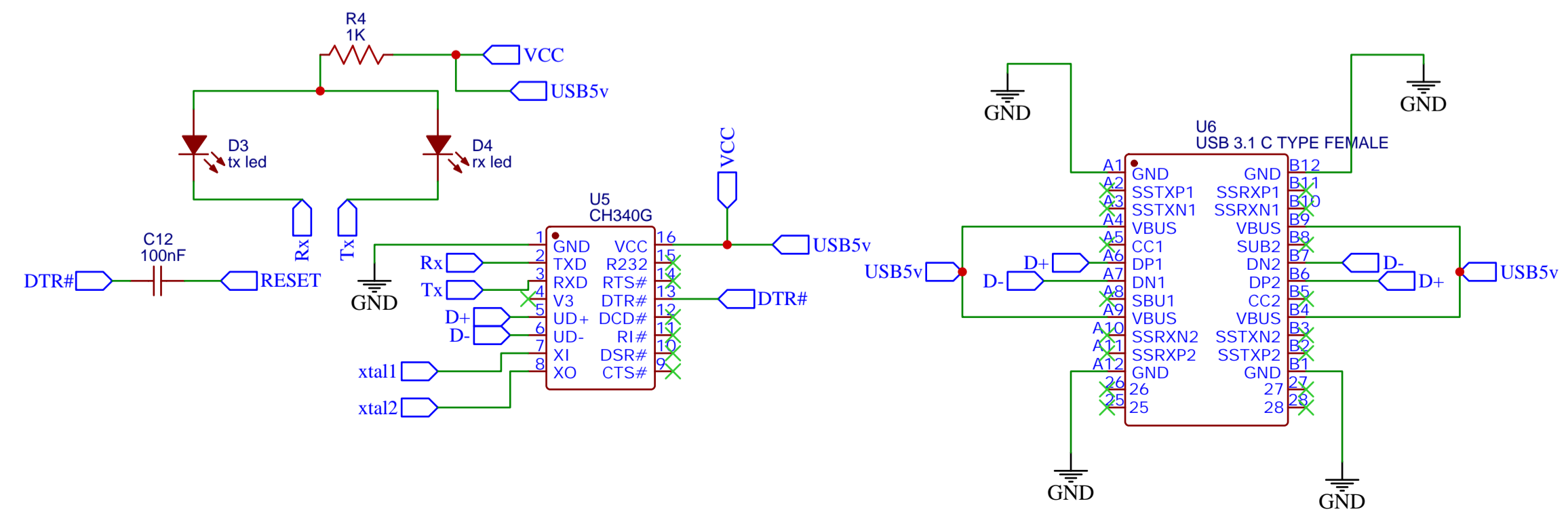
Power management is a key focus, with three power options available: USB power, external DC input, and battery power, ensuring the board is adaptable to various applications. The entire design uses through-hole technology (THT), making it easier for assembly, prototyping, and modification by hobbyists and professionals alike.

The Mini-VieNo is an ideal solution for projects that require a compact, versatile, and reliable microcontroller board with robust power options and easy soldering features.

ICSP



USB TO UART



Break-outs

