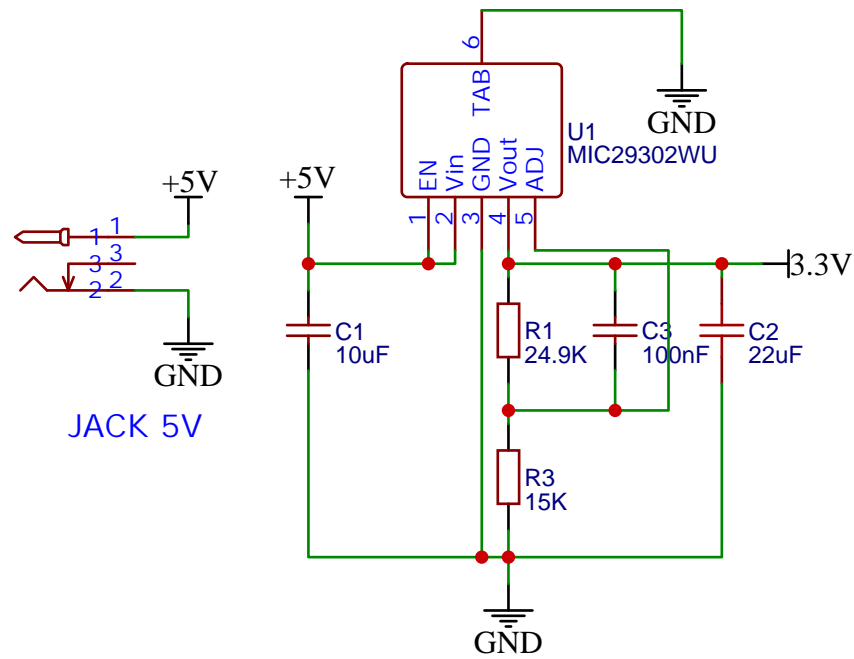
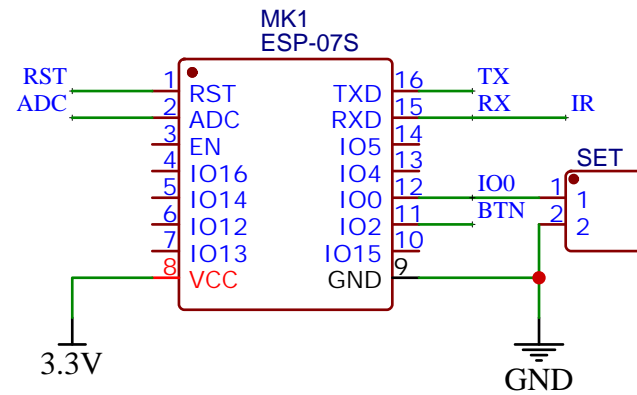


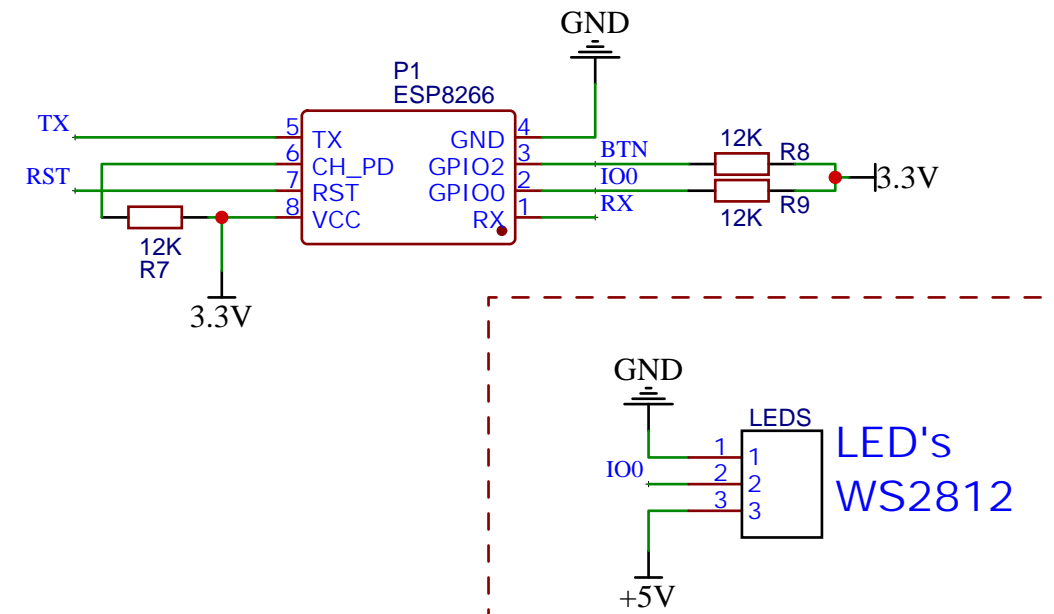
5v-3.3v Regulador/Regulator



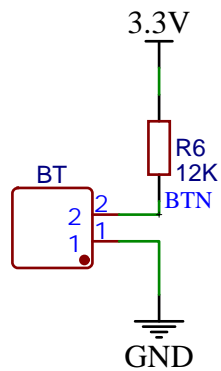
ESP-07s



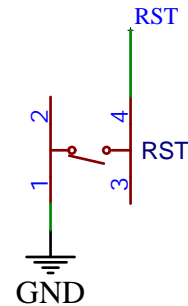
ESP-01



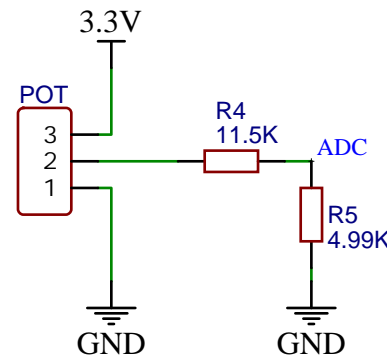
Pulsador/Buton



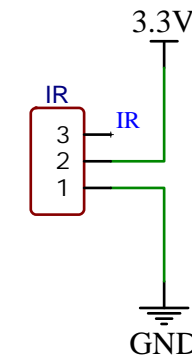
RESET



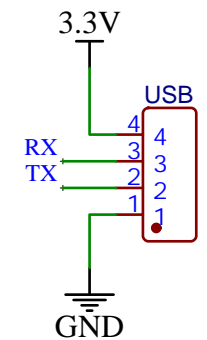
POT



SENSOR IR



USB - TTL



TITLE: MCM-LED-DESK		REV: 1.0
EasyEDA	Company: MCMCHRIS	Sheet: 1/1
	Date: 2020-10-16	Drawn By: Christopher Mendez