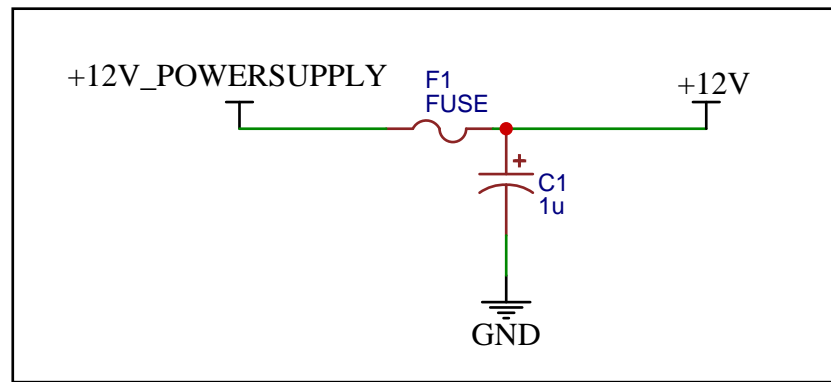
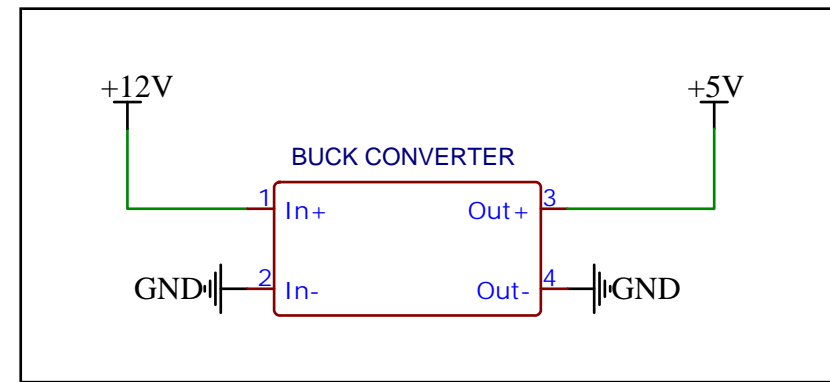


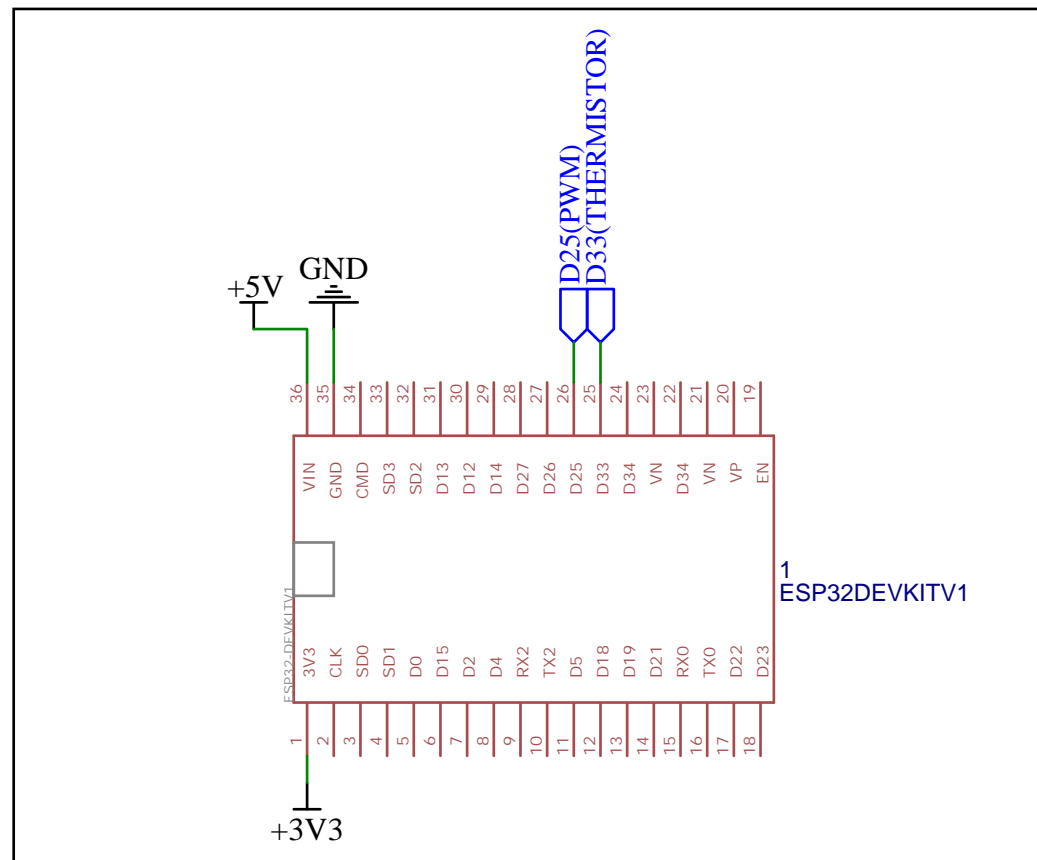
POWER INPUT



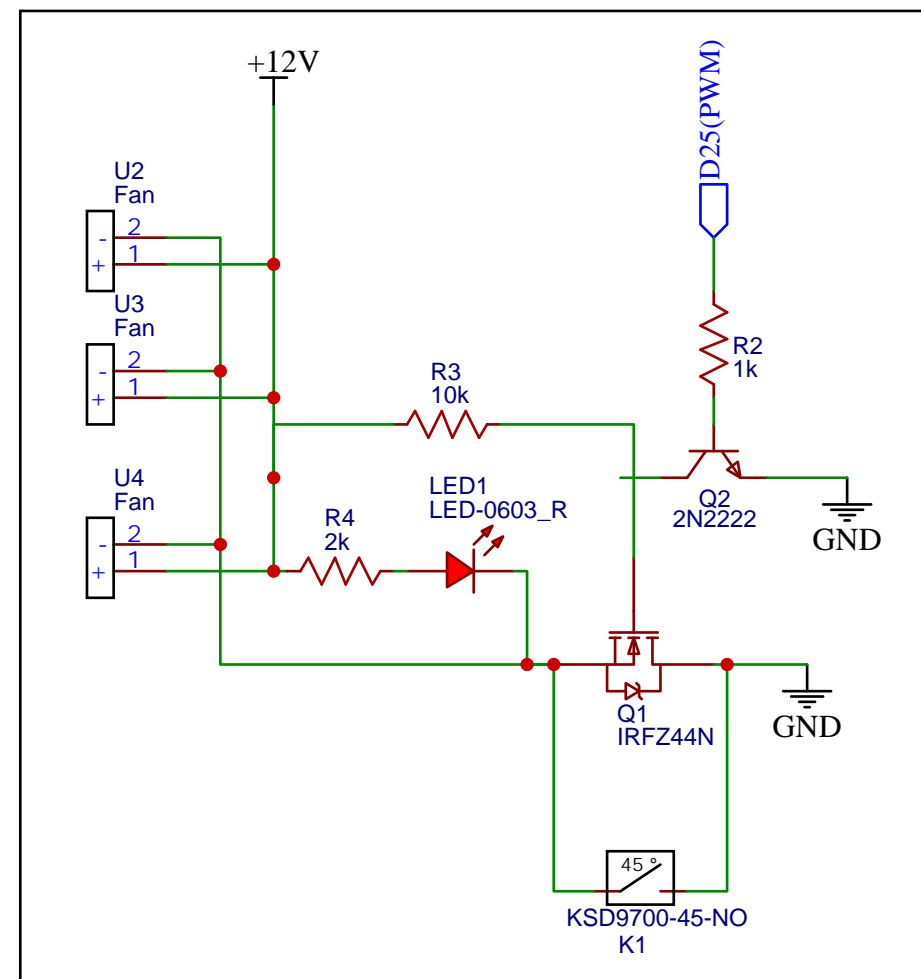
BUCK CONVERTER



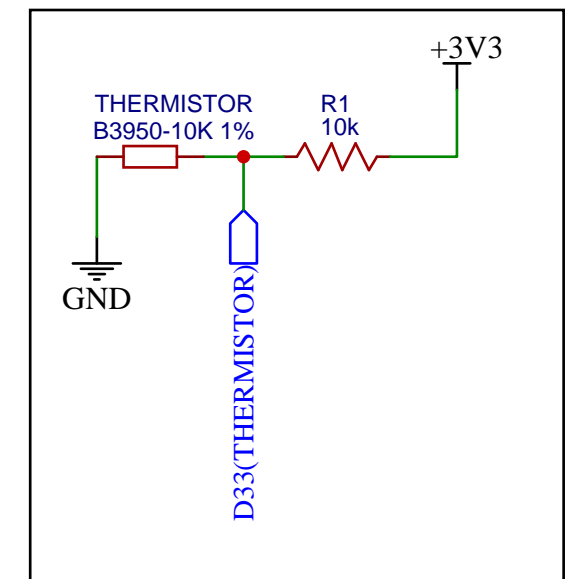
ESP32



FAN CONTROL



THERMISTOR



TITLE: PWM fan control inverter		REV: 2.0
EasyEDA	Company:	Sheet: 1/1
	Date: 2022-06-22	Drawn By: Jabrillo