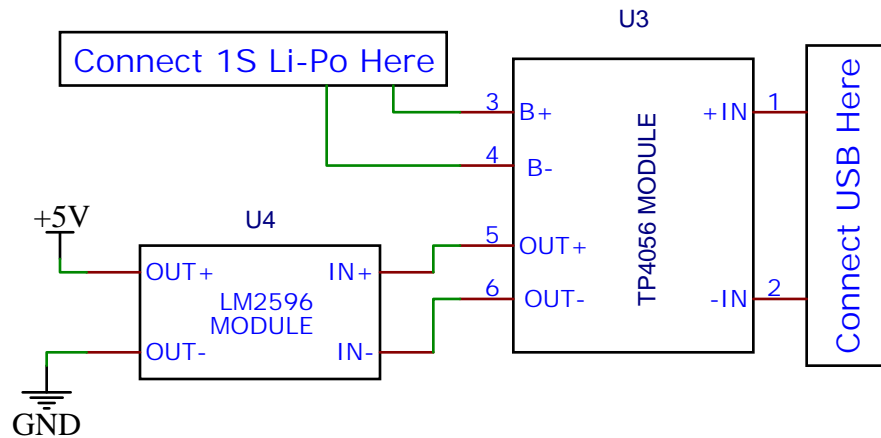
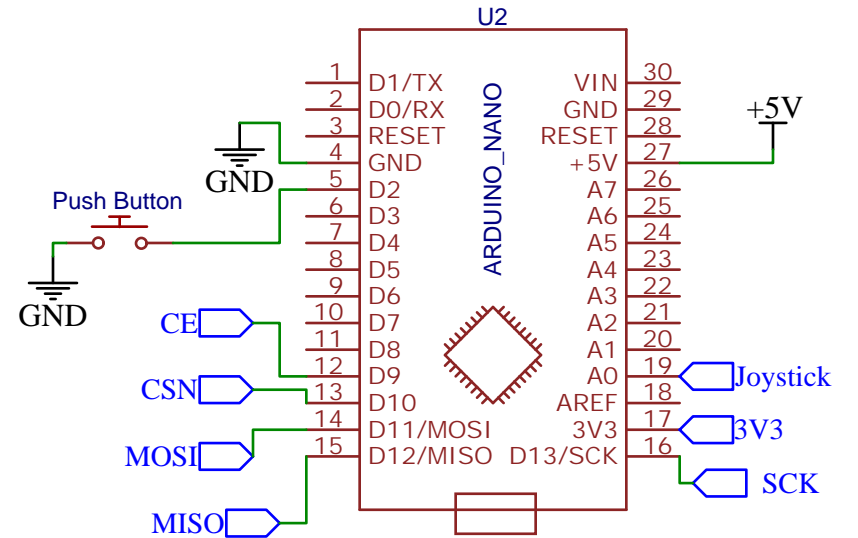
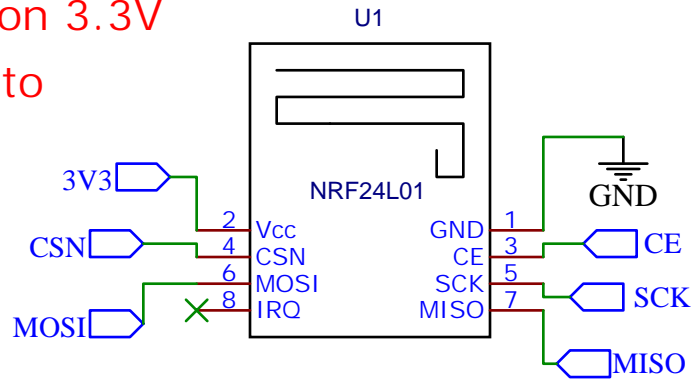


Warning! NRF24 works on 3.3V  
do not connect 5V to  
Vcc of NRF24!

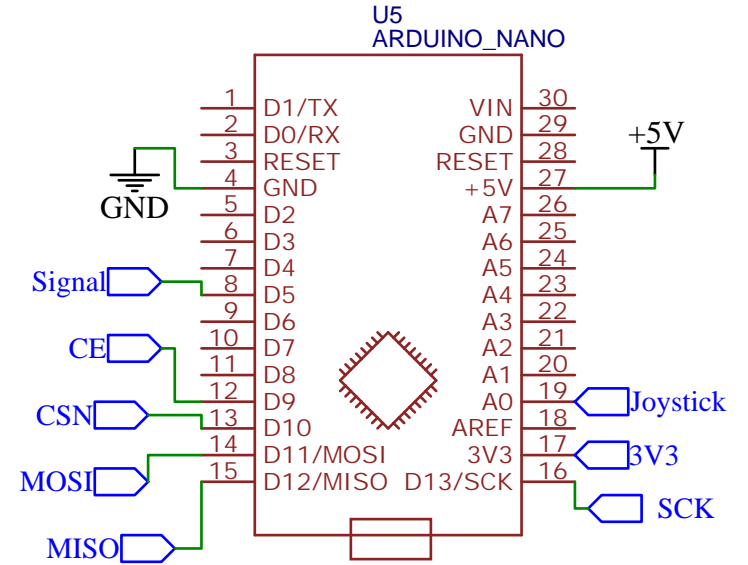
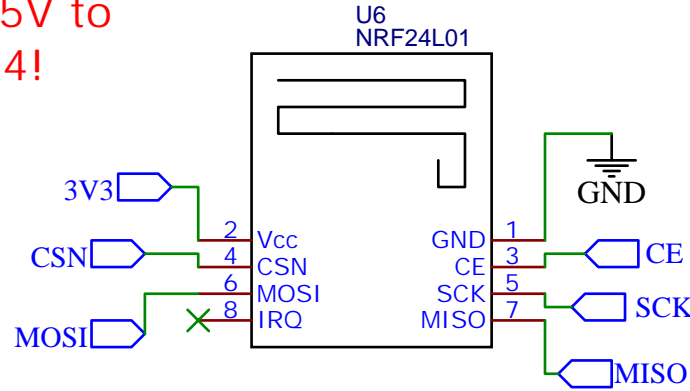


[www.YouTube.com/NematicsLab](http://www.YouTube.com/NematicsLab)

TITLE:		NRF24 Based Skateboard Transmitter		REV: 1.0	
Company:		Date: 2020-04-16		Sheet: 1/1	
EasyEDA		Drawn By: NematicsLab			

Warning! NRF24 works on 3.3V

do not connect 5V to  
Vcc of NRF24!



[www.YouTube.com/NematicsLab](http://www.YouTube.com/NematicsLab)

TITLE: NRF24 Based Skateboard Reciver		REV: 1.0
EasyEDA	Company:	Sheet: 1/1
	Date: 2020-04-16	Drawn By: NematicsLab