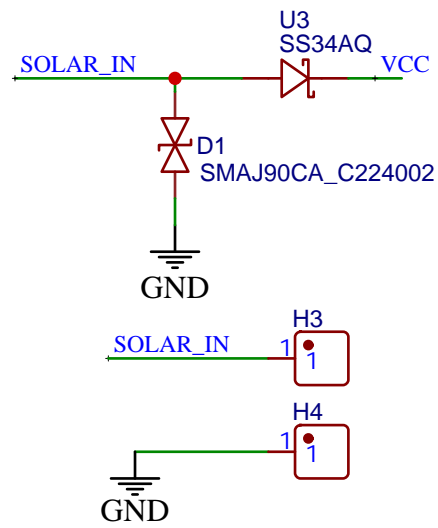
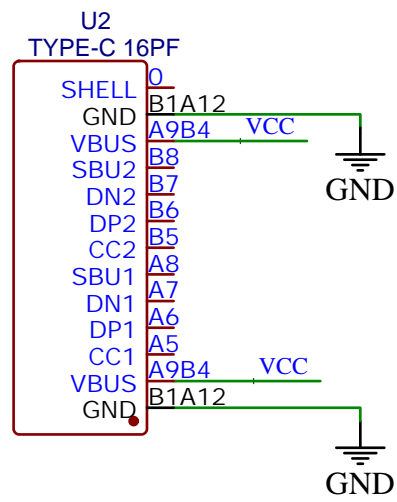
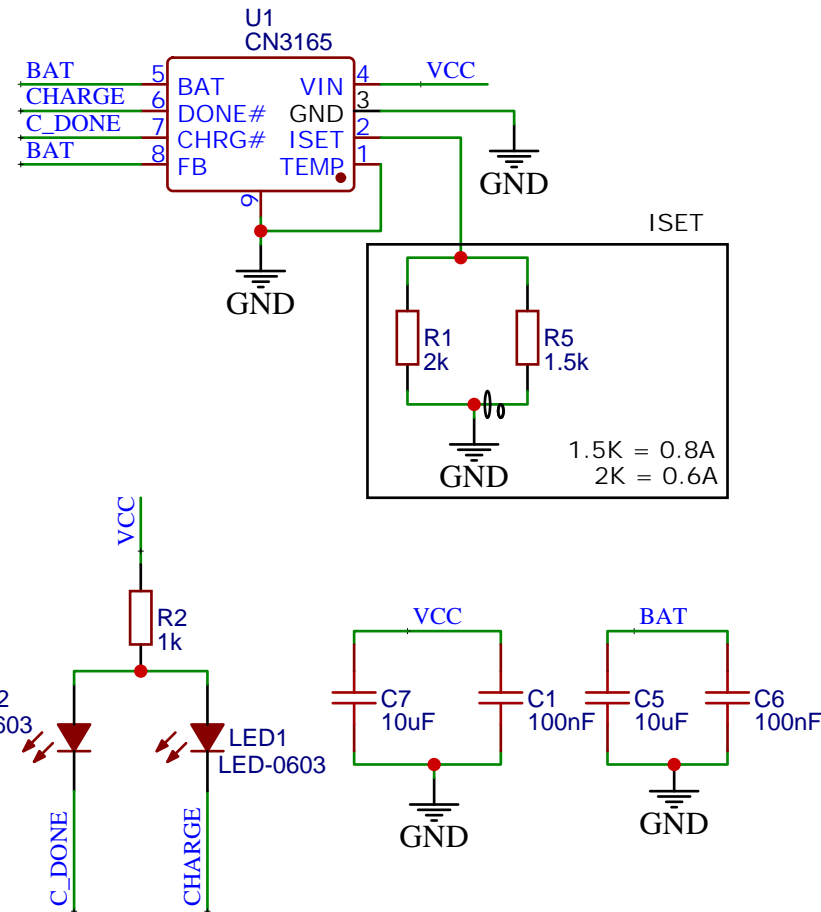


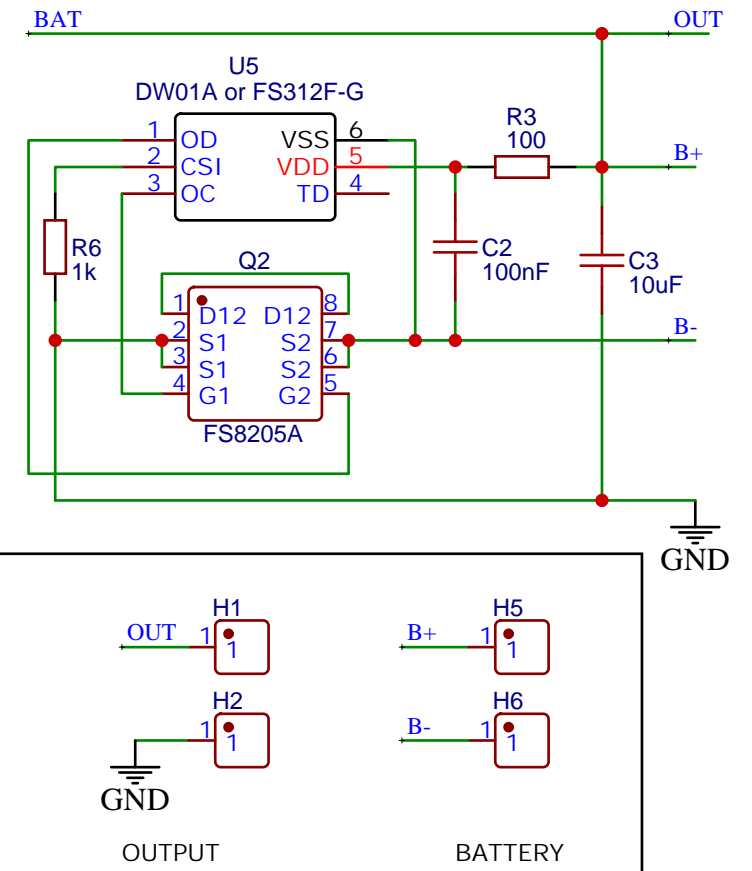
INPUT SECTION



CONTROL AND MAIN IC SECTION



PROTECTION AND OUTPUT SECTION



TITLE: Sheet_1		REV: 1.0
	Company: Your Company	Sheet: 1/1
	Date: 2024-10-20	Drawn By: sagar saini