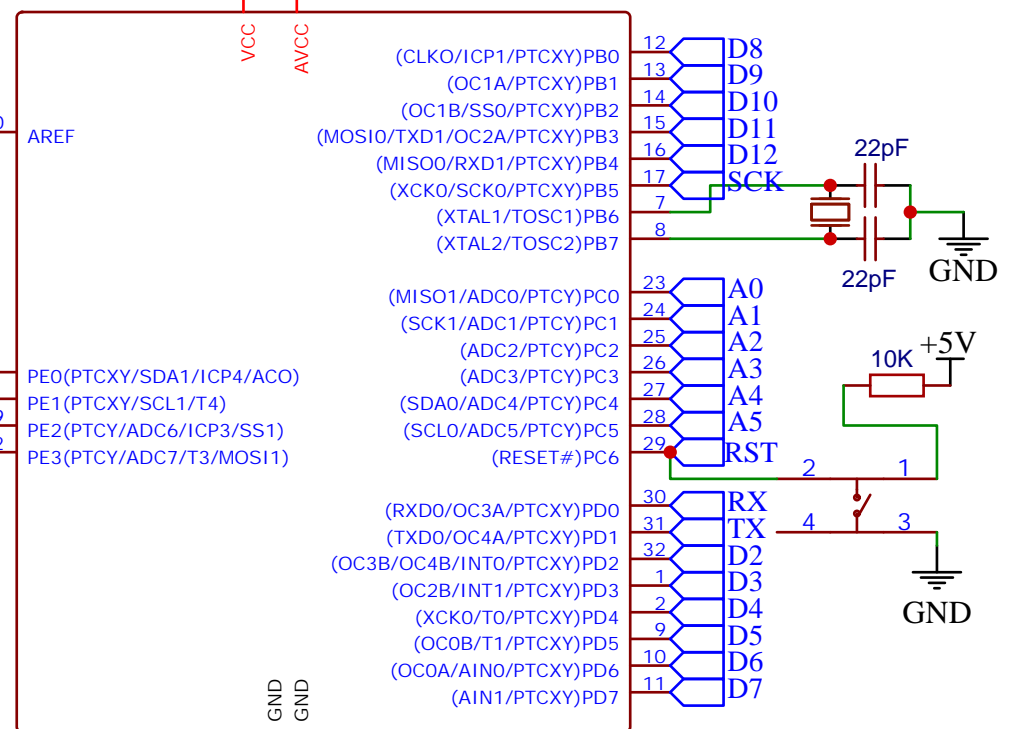
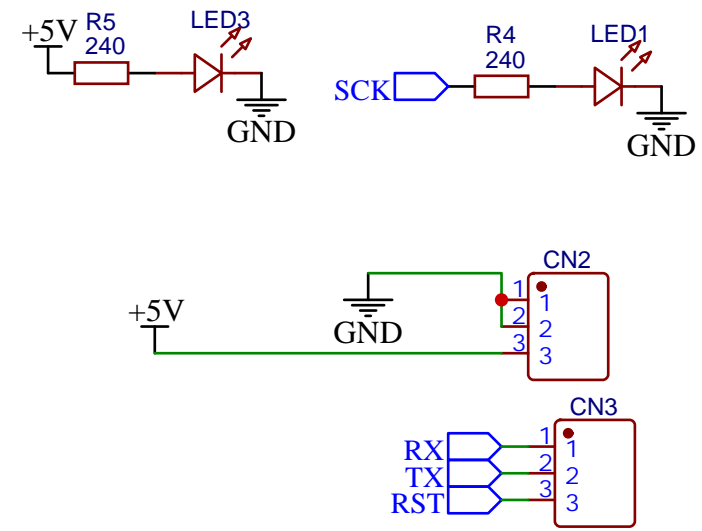
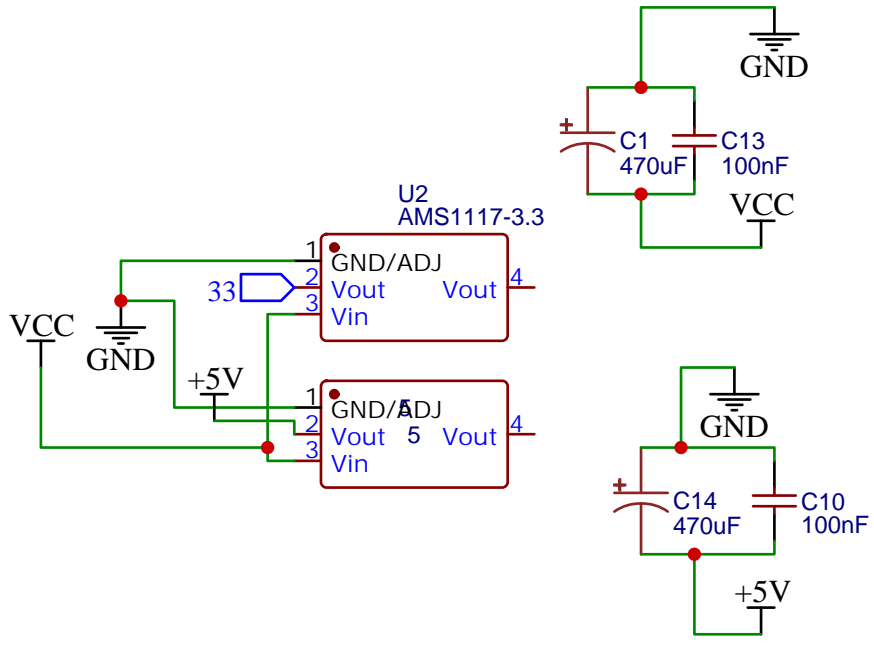
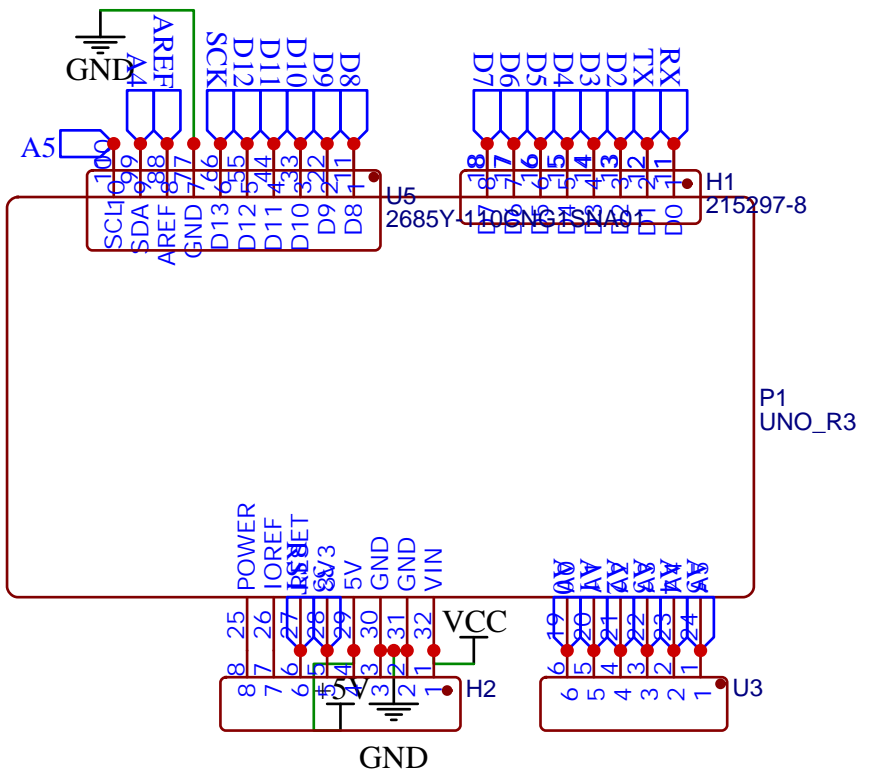
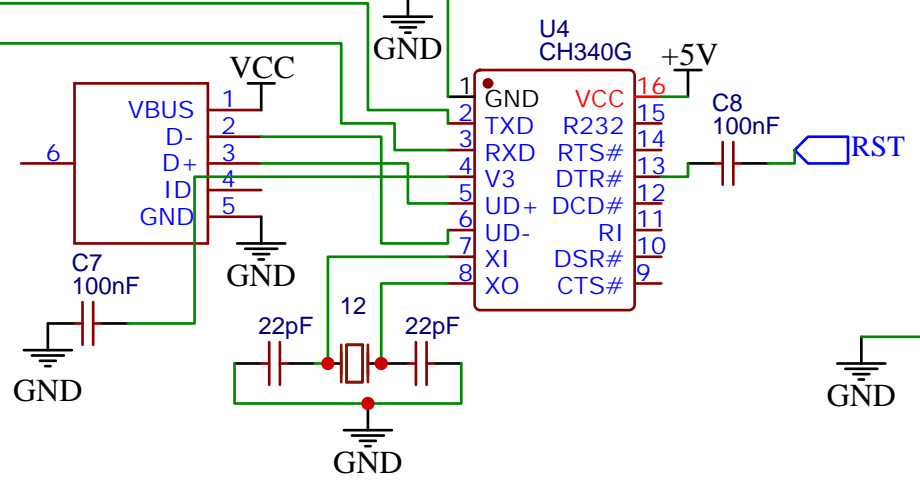


Microcontroller section



CH340G Arduino Programmer



TITLE: Arduino uno		REV: 1.0
EasyEDA	Company:	Sheet: 1/1
	Date: 2021-07-04	Drawn By: ElectroBoy
		Your Company