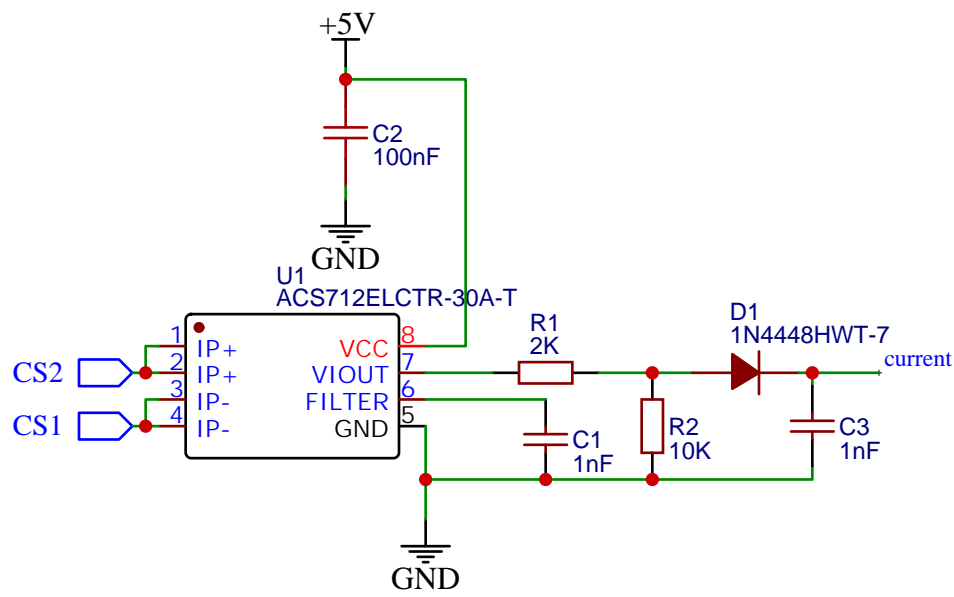
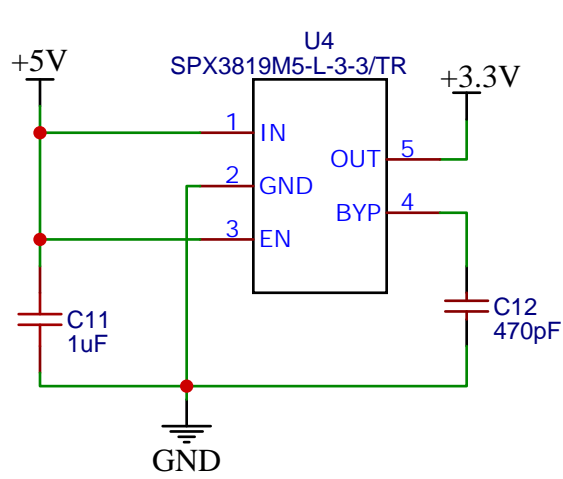


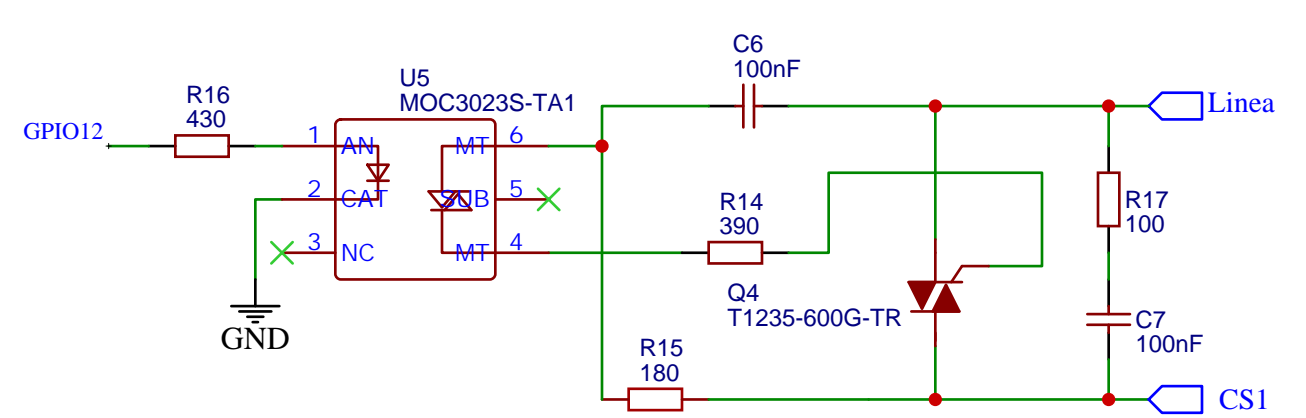
Sensor de corriente (LOAD)



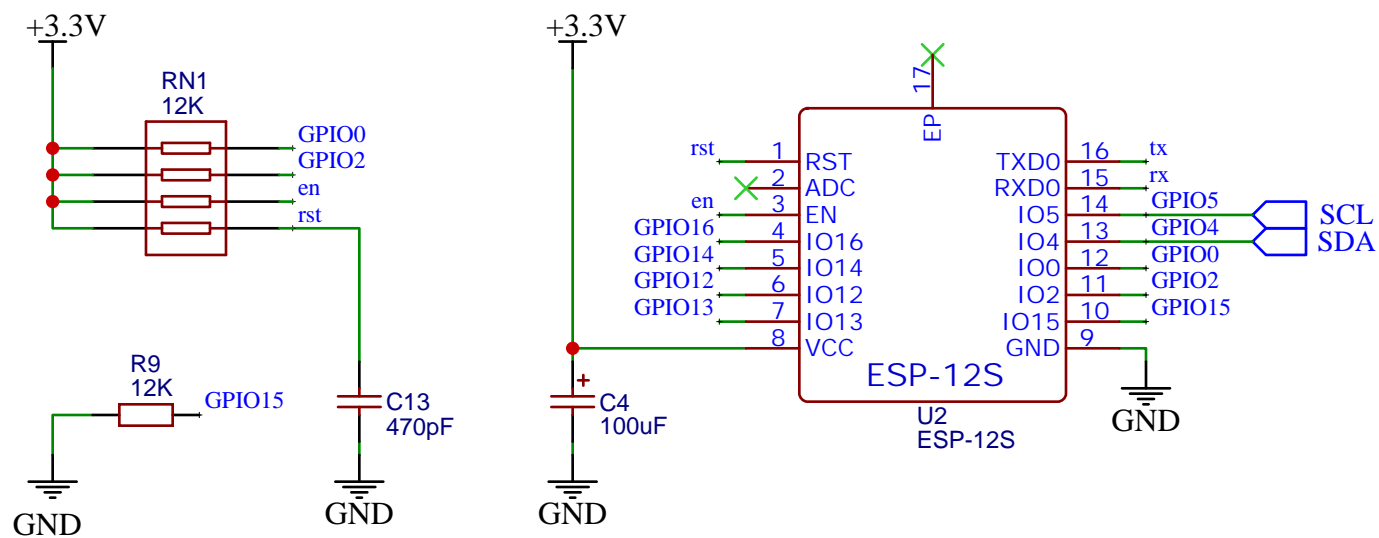
Regulador de voltaje a 3.3v



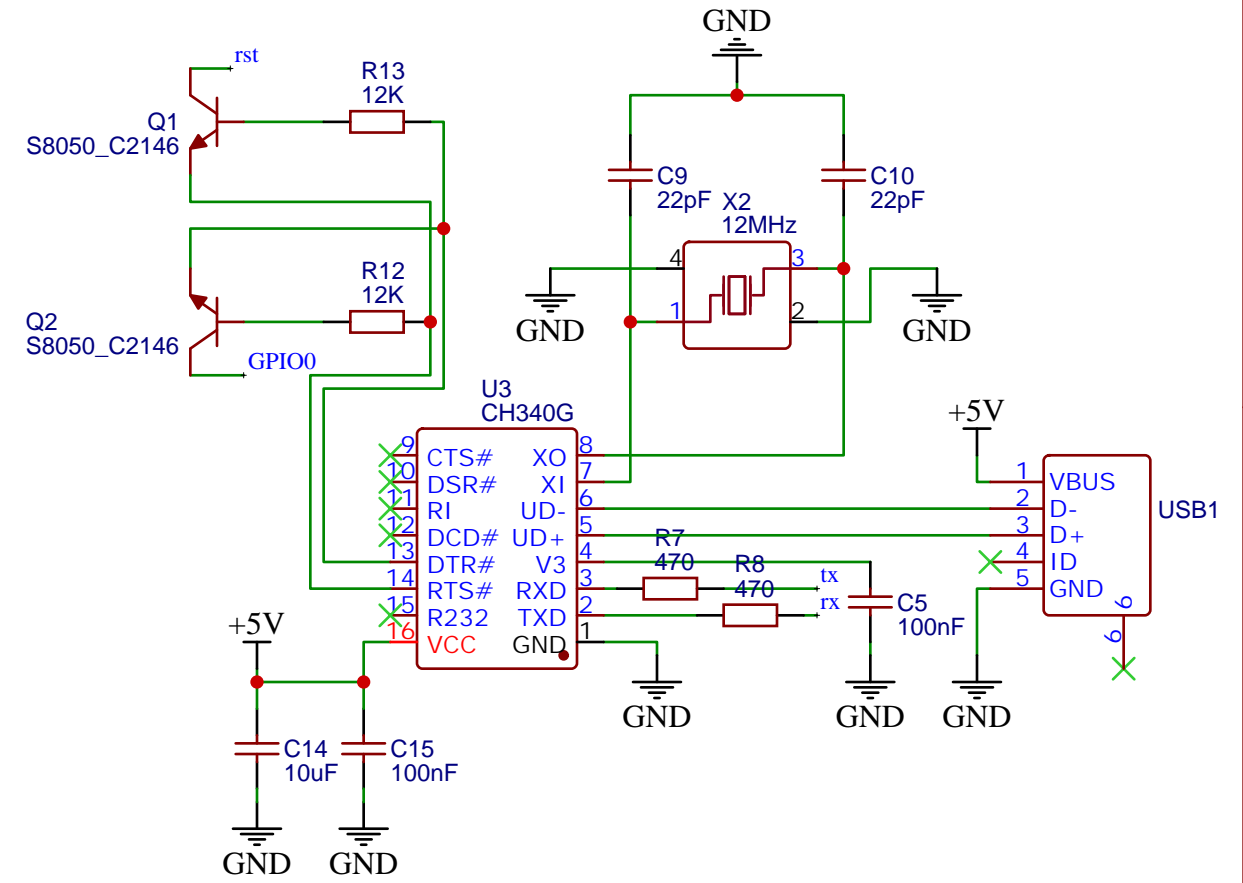
Interfaz de potencia (TRIAC)



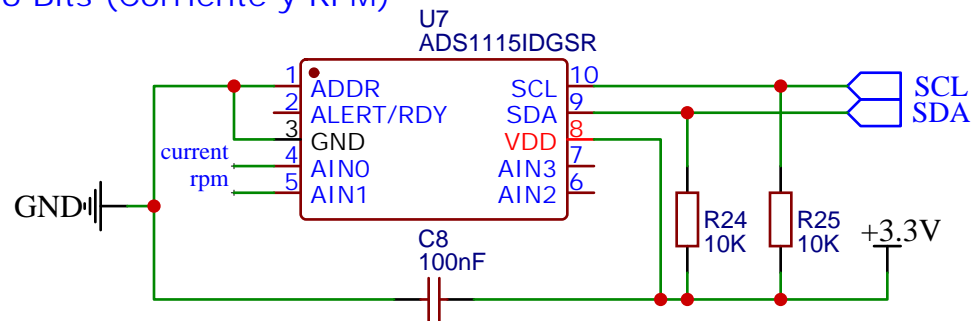
Microcontrolador ESP-12s



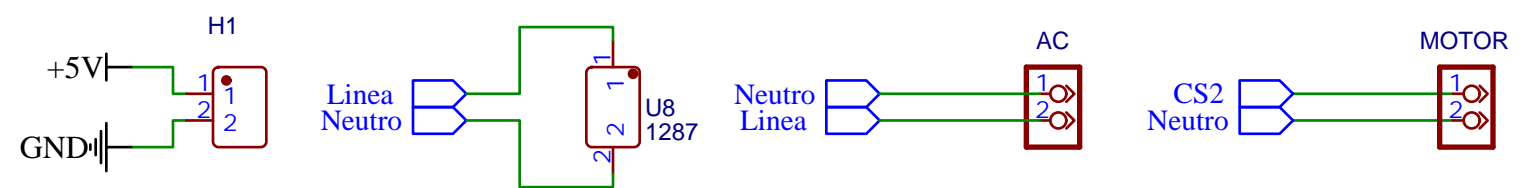
Interfaz USB



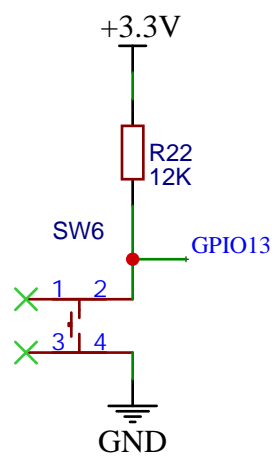
ADC 16 Bits (Corriente y RPM)



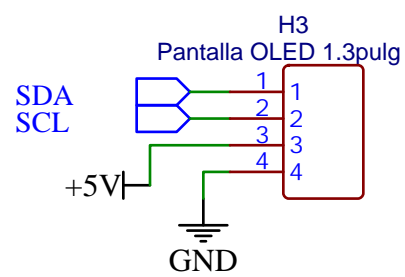
Conectores (terminal blocks)



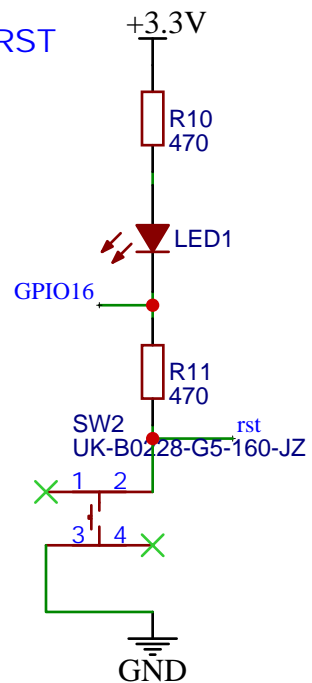
Bot ón ON/OFF



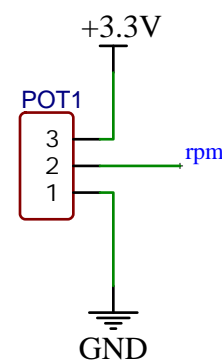
Monitor OLED 1.3"



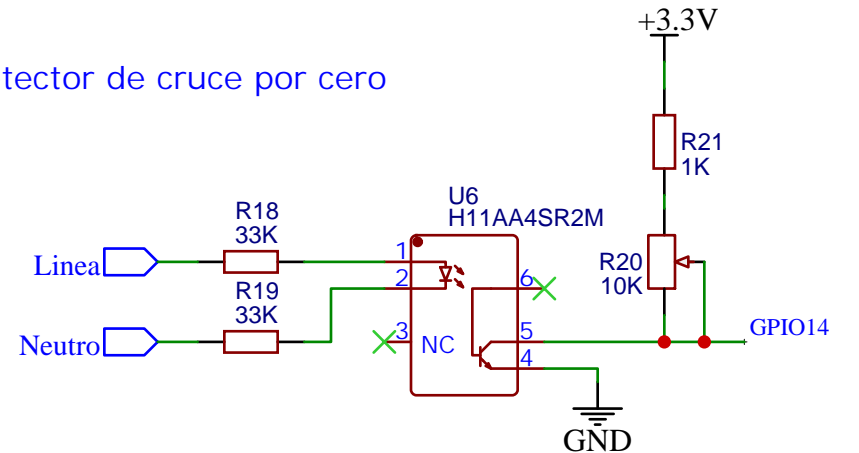
RST



POT RPM



Detector de cruce por cero



TITLE:	MCM-Motor-Driver	REV:	1.0
Company:	MCMCHRIS	Sheet:	1/1
Date:	2021-01-02	Drawn By:	Christopher Mendez

