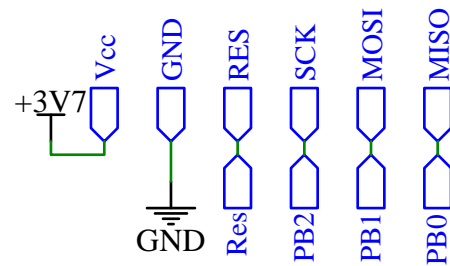
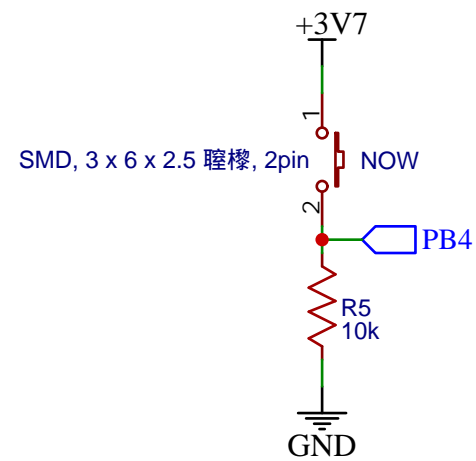


\* 0,5V 2mA per cell

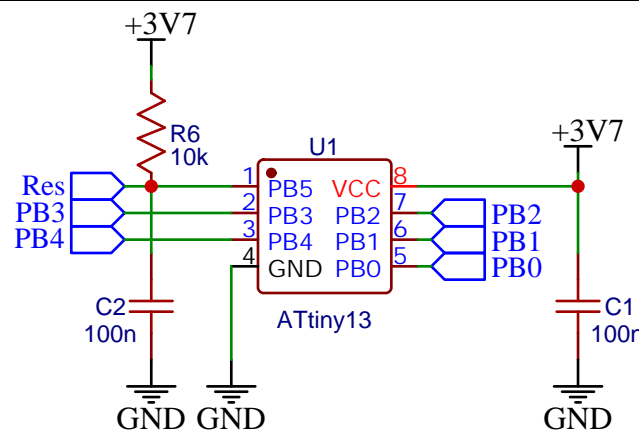
PV array



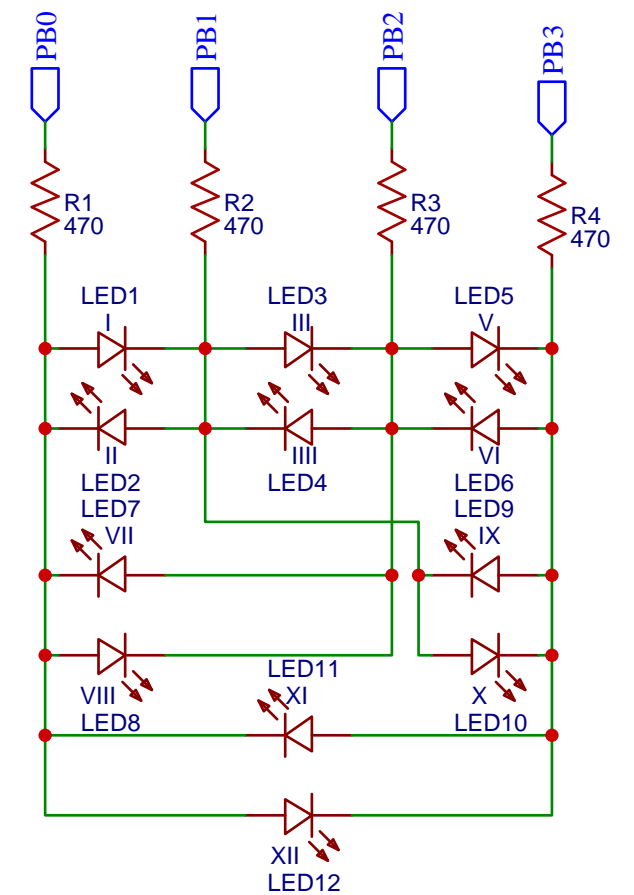
Programing interface(AVR ISP)



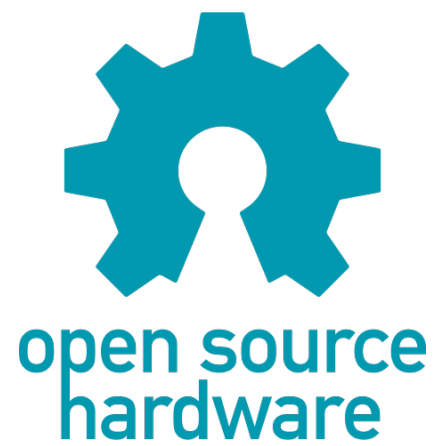
Button

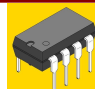


CPU



12 LED array



TITLE: LumiTime		REV: 0.1
	Company: Tech01	Sheet: 1/1
	Date: 2024-03-03	Drawn By: Techn0man1ac