

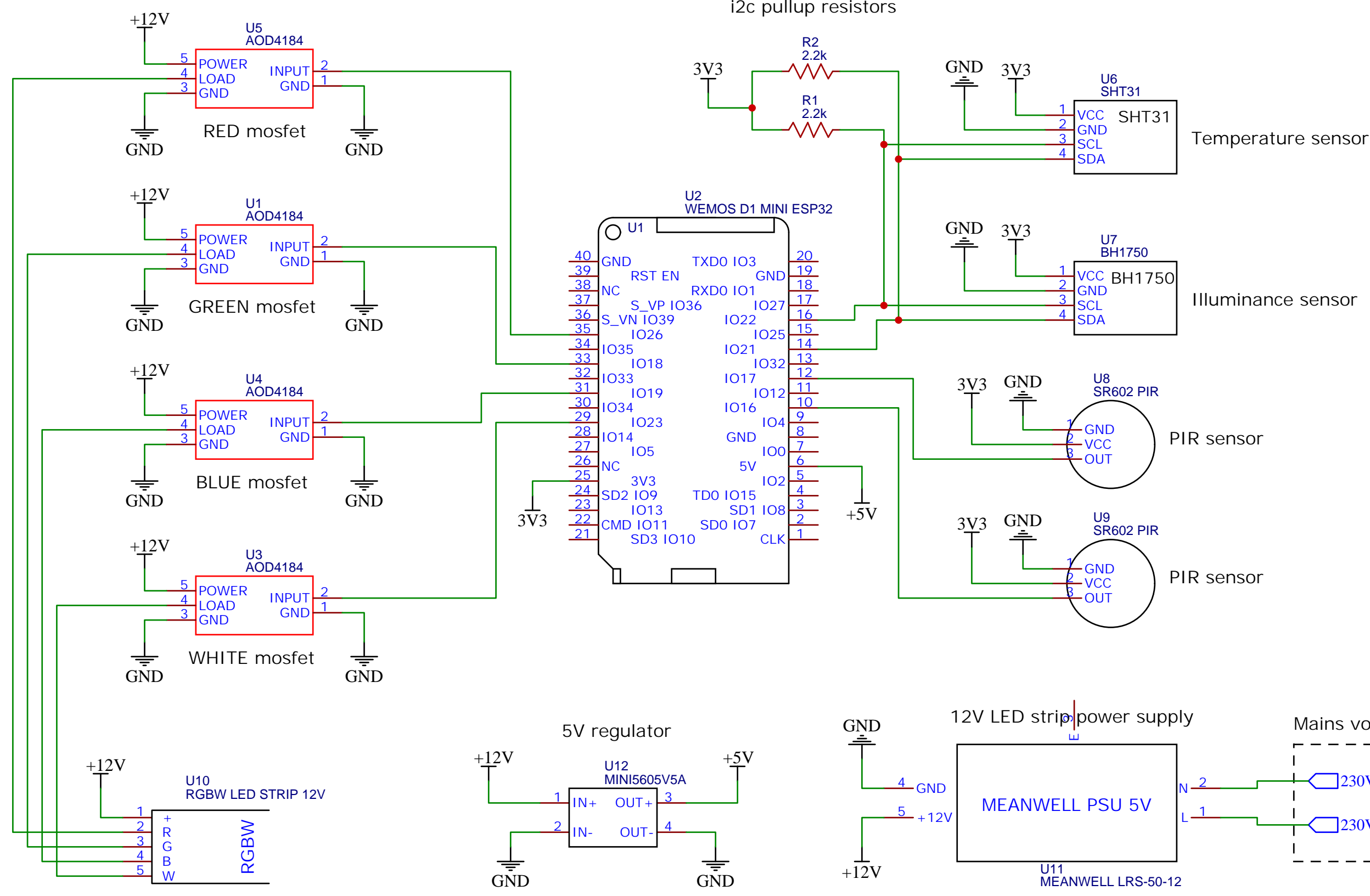
1 2 3 4 5

A

B

C

D



TITLE: RGBW all-in-one controller		REV: 1.0
EasyEDA	Company: Giovanni Aggiustatutto	Sheet: 1/1
	Date: 2025-01-26	Drawn By: Giovanni

1 2 3 4 5