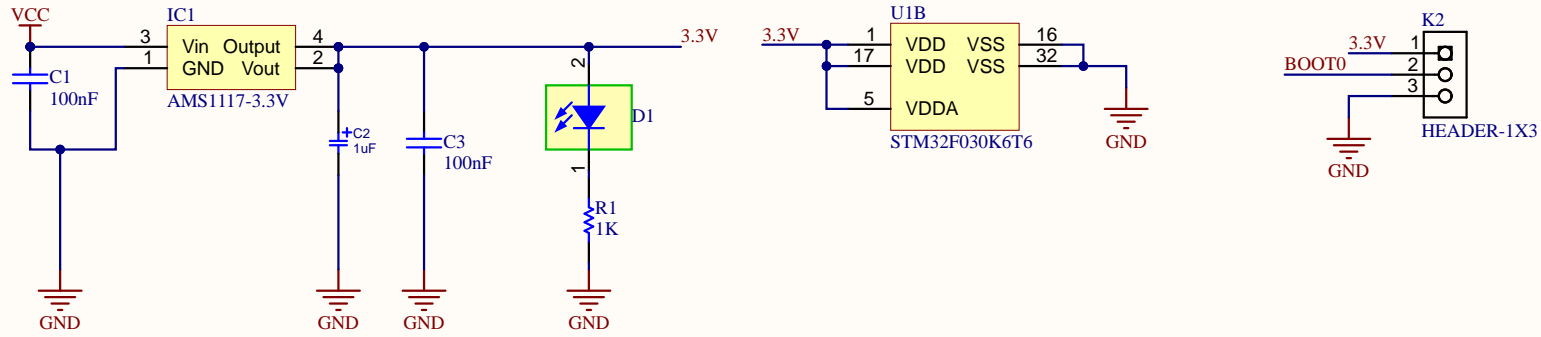
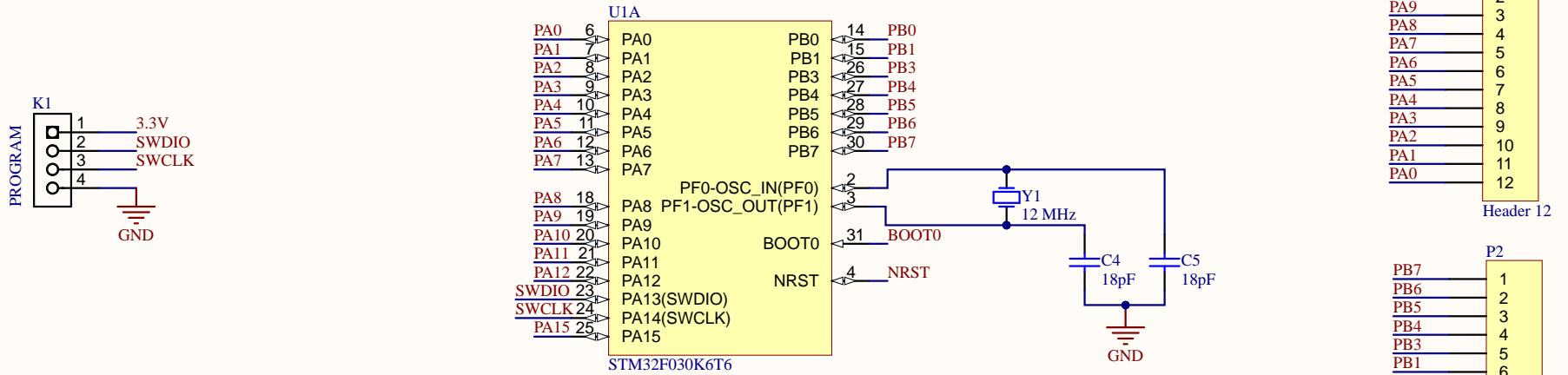


A



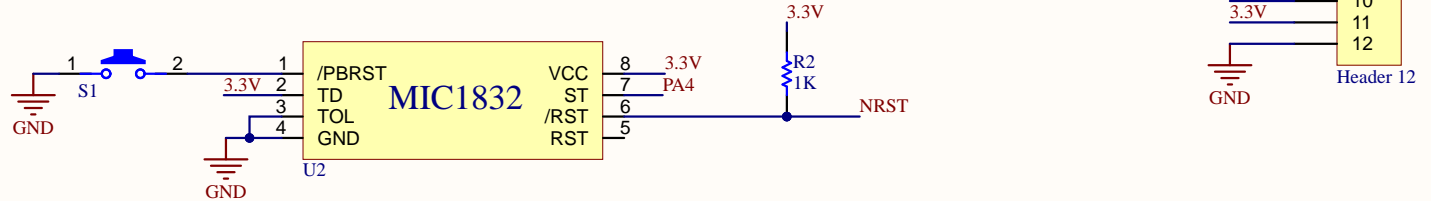
A

B



B

C



C

D

Title		
Size	Number	Revision
A		
Date:	5/17/2022	Sheet of
File:	D:\Electronic...\Sheet1.SchDoc	Drawn By: